

BAJAJ
Pulsar **DTS-i**
180 ABS



THE WORLD'S
FAVOURITE
INDIAN

BAJAJ
Pulsar **DTS-i**
180 ABS

Bajaj Auto Limited
Akurdi, Pune - 411 035, India.

Tel : +91 20 27472851

Fax : +91 20 27407385

Customer care : +91 7219821111

Website : www.bajajauto.com

CIN L65993PN2007PLC130076

Spare Parts Catalogue



Notice

BAJAJ
pulsar **180 ABS**

All information contained in this manual is based on the latest product information at the time of publication. Bajaj Auto Limited accepts no liability for any inaccuracies or omissions in this publication, although every possible care has been taken to make it as complete and accurate as possible. All procedures and specifications subject to change without prior notice. The right is reserved to make such changes at any time without prior notice and without incurring an obligation to make such changes to product manufactured previously. Contact your authorized Bajaj Dealer for the latest information on product improvements incorporated after this manual was issued.

DOC. NO. : 71112583

REV. 20 JUN 19

Copy rights : All rights reserved. No part of this publicatin may be reproduced, stored in a retrival system, Or transmitted in any form or by any means, electronic mechanical photocopying, recording or otherwise, without the prior written permission of Bajaj Auto LTD.

We have pleasure in presenting the Spare Parts Catalogue for 'Pulsar 180 UG, (BS IV) & Half Fairing' Motorcycle. This catalogue has been specially designed to assist you in selecting the correct parts for procurement to maintain 100% availability.

The Bajaj spares are subjected to the stringent quality control standards to ensure longer life of the vehicle. It is therefore necessary that only the Genuine Bajaj Spares are used.

In a continual effort to improve Performance and Efficiency of the vehicles, Specifications, Diagrams, Illustrations and Part Numbers can change without notice. Consequently, the description in this Spare Parts Catalogue cannot therefore be final and binding on us.

The modifications / alterations which are carried out after the issue of this catalogue, will be conveyed to you through our Service Circulars. You are requested to make necessary corrections in the Parts Catalogue as per the circulars so as to keep your catalogue up-to-date. This will ensure the appropriate and speedy delivery of the Spare Parts as the order placed will bear the latest part numbers.

In case, if you need any technical assistance contact the concerned Regional Office or write to us on the following address :

Bajaj Auto Limited
Service Department
Akurdi, Pune 411 035
India

1. How to Read the Catalogue : Open the catalogue and from the pictorial index locate the group in which the part you want to find is present. Turn over to the concerned page number (as given by pictorial index). Now find out the figure of the part you wish to order. Write down the part number against that particular figure number from the text.

In case, if you have the part number and you need the other details, the part index can be used. The part index (at the end of the catalogue) will give you the figure and page number of the part you wish to order.

2. How to Order Spare Parts : The part number and the description of the part required should be invariably mentioned in the order as per the catalogue text.

The latest part number as conveyed through our service circulars should only appear on the order. In case of ordering painted components, colour shade of the components should be mentioned.

The quantity shown against the part number is the quantity per vehicle for that group so that particular quantity should be multiplied by the number of sets required.

3. Part Number System : We have used 8 digit system for part numbers. The model or hardware item is indicated by first two digits or alphanumeric, the next two or four digits indicate main group and the last four or two digits indicate serial number in main group or serial number or subgroup of fastener respectively. Thus the part numbers will be indicated by 2-2-4 or 2-4-2 digit system. Understanding this system will enable you to identify the spare parts easily.

4. Abbreviations : The following abbreviations are used in this catalogue.

Assly	Assembly	V	Volts
N.I.	Not illustrated	W	Watts
C'case	Crankcase	Accl.	Accelerator
Cyl	Cylinder	Comp.	Complete
O/s	Over size	Fr.	Front
Rr.	Rear	Std.	Standard
L	Length	A/t.	Alternate
R.H.	Right hand	L.H.	Left hand
Hex.	Hexagonal	AR	As required

Plate No.	Description	Page No.
1	Cover Cylinder Head	2
2	SAI System	4
3	Cylinder Head	6
4	Valve	8
5	Camshaft & Tensioner	10
6	Cylinder & Piston	12
7	Crankshaft	14
8	Transmission	16
9	Balancer & Balancer Idler Gear	18
10	Change Drum & Shaft Fork	20
11	Gear Change Mechanism	22
12	Engine Assembly & Crankcase RH	24
13	Crankcase LH	26
14	Cover Clutch	28
15	Cover Magneto	30
16	Clutch Assembly	32
17	Oil Pump Assembly	34
18	Carburettor Assembly	36
19	Silencer Assembly & Belly Pan	38 - 40
20	Air Cleaner Assembly	42
21	EVAP Mechanism	44
22	Magneto, CDI & H.T. Coil	46
23	Starter Assembly	48
24	Frame and Frame Fittings	50
25	Engine Mountings	52
26	Swing Arm & Rear Shock Absorber	54
27	Rider, Pillion Foot Rest & Step Holder	56 - 58
28	Mudguard - Front & Rear	60
29	Center & Side Stand Assembly	62
30	Tube / Tyre / Rim	64
31	Front Wheel Assembly	66
32	Front Master Cylinder Assembly	68
33	Front Brake - Caliper & Disc	70

Plate No.	Description	Page No.
34	Rear Wheel Assembly	72 - 74
35	Rear Master Cylinder & Caliper - Endurance Make	76
36	Rear Master Cylinder & Caliper - Endurance	78
37	Rear Brake Pedal	80
38	Anti Lock Braking System (ABS)	82
39	Handle Bar	84 - 86
40	Front Fork	88 - 90
41	Fuel Tank, Fuel Cock, Cap Tank & Fuel Gauge	92
42	Fittings Petrol Tank Spoiler, Side Cover & Cover Seat	94
43	Seat Assembly & Seat Lock	96
44	Speedometer Assembly	98
45	Cables	100
46	Leg Guards, Saree Guard & Grab Handle	102
47	Chain Case	104
48	Head Lamp & Fairing	106
49	Head Lamp Assembly - For Half Fairing Model	108
50	Indicator Light Assembly	110
51	Fairing & Mounting - For Half Fairing Model	112
52	Tail Lamp Assembly & Front / Rear Number Plate	114
53	Electrical Equipments	116 - 118
54	Tool Kit	120
55	Painted Parts & Decals	122 - 128
56	Painted Parts & Decals - Cocktail Wine Red & Saffire Blue	130 - 132
57	Painted Parts & Decals - Dec. 2017	134
58	Painted Parts & Decals - Feb. 2018 for Police Vehicles	136
59	Painted Parts & Decals - Nov. 2018	138 - 140
60	Painted Parts & Decals - For Half Fairing (HF)	142 - 144
61	Consumable Parts	146 - 148
	Kit List	149 - 154
	Amended Sheet (Part Added)	155
	Amended Sheet (Part Deleted)	156
	Part Index	157 - 180

Pictorial Index

PLATE NO. : 1
COVER CYLINDER HEAD

PAGE NO.
1

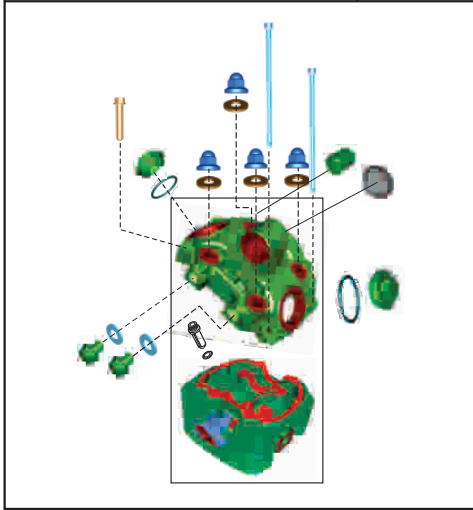


PLATE NO. : 2
SAI SYSTEM

PAGE NO.
3

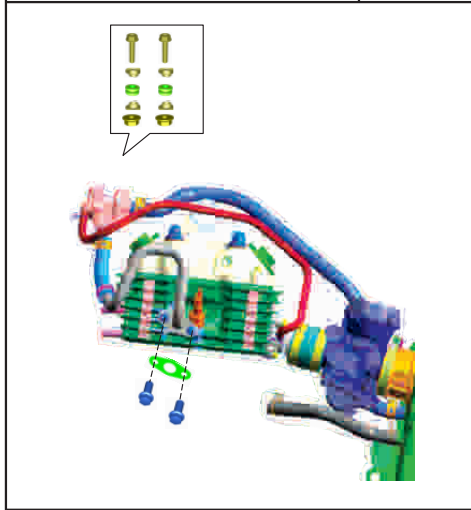


PLATE NO. : 3
CYLINDER HEAD

PAGE NO.
5

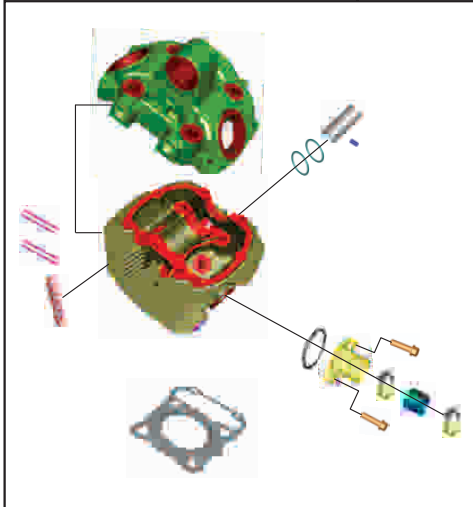
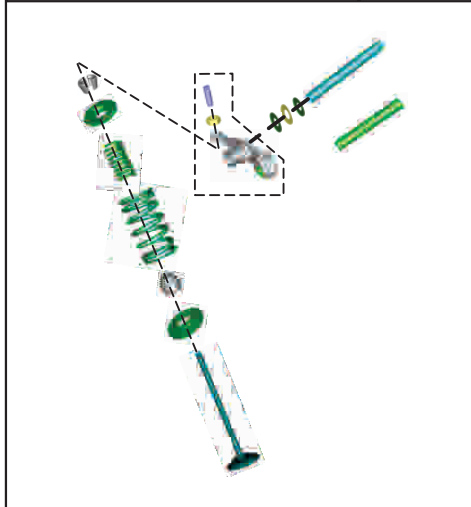


PLATE NO. : 4
VALVE

PAGE NO.
7



Pictorial Index

PLATE NO. : 5
CAMSHAFT TENSIONER

PAGE NO.
9

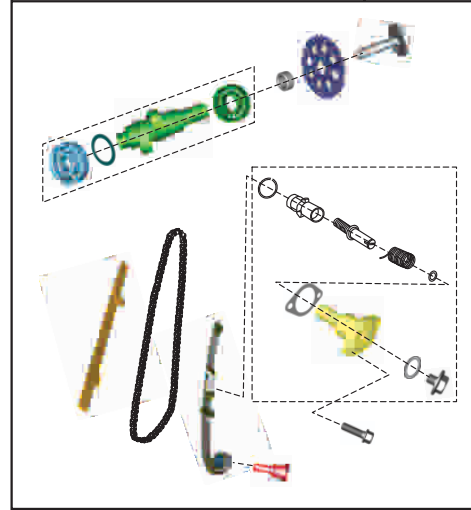


PLATE NO. : 6
CYLINDER & PISTON

PAGE NO.
11

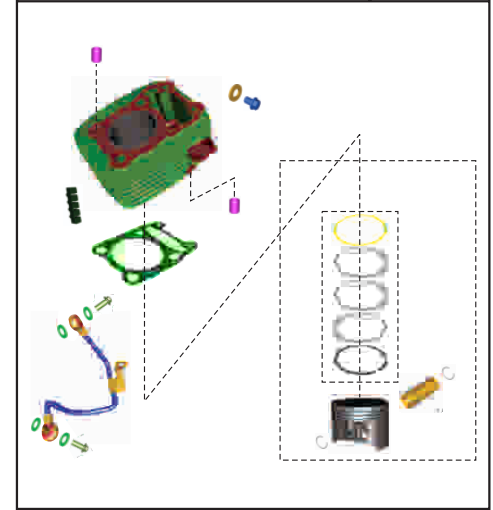


PLATE NO. : 7
CRANKSHAFT

PAGE NO.
13

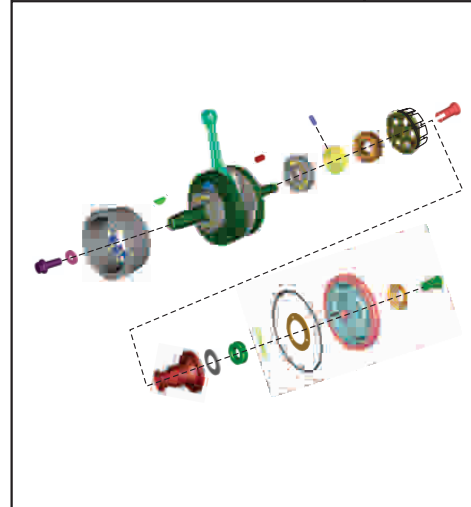
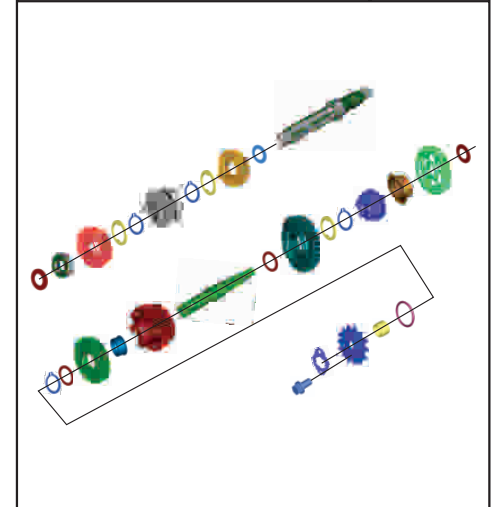


PLATE NO. : 8
TRANSMISSION

PAGE NO.
15



Pictorial Index

PLATE NO. : 9
BALANCER & BALANCER IDLER GEAR

PAGE NO.
17

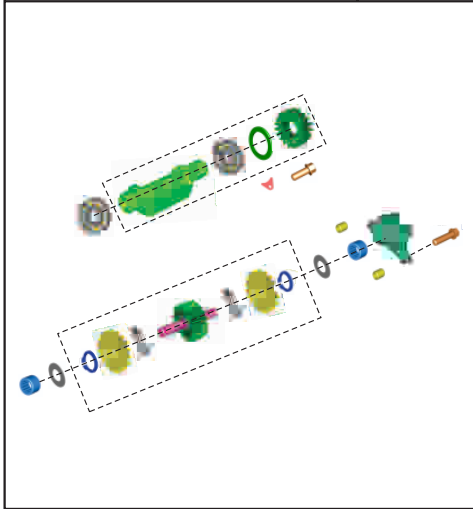


PLATE NO. : 10
CHANGE DRUM & SHAFT FORK

PAGE NO.
19

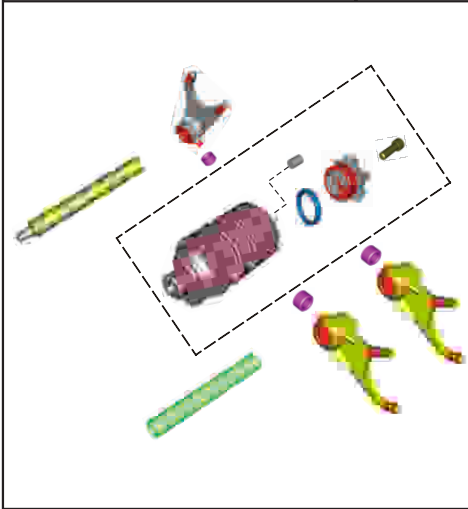


PLATE NO. : 11
GEAR CHANGE MECANISM

PAGE NO.
21

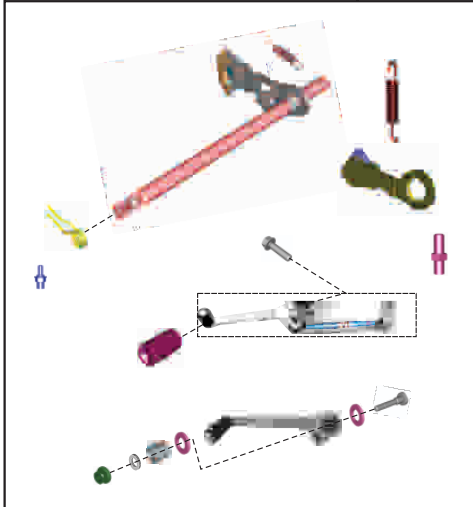
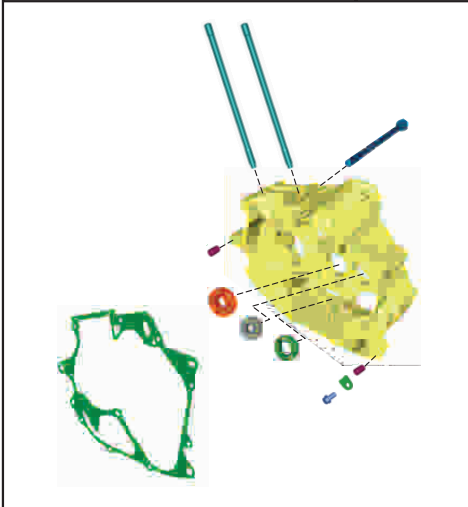


PLATE NO. : 12
ENGINE ASSEMBLY & CRANKCASE RH

PAGE NO.
23



Pictorial Index

PLATE NO. : 13
CRANKCASE LH

PAGE NO.
25

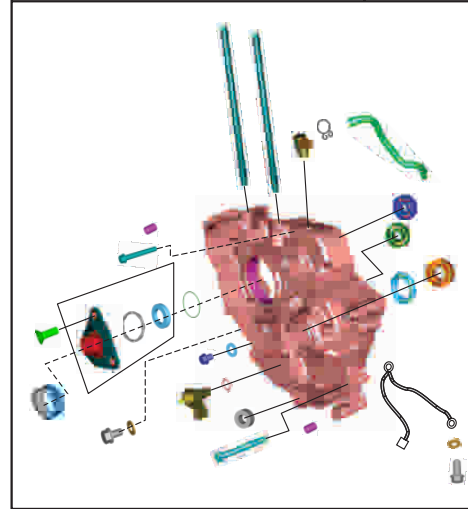


PLATE NO. : 14
COVER CLUTCH

PAGE NO.
27

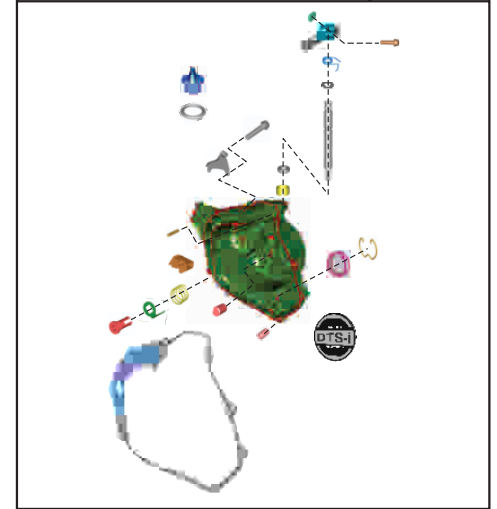


PLATE NO. : 15
COVER MAGNETO

PAGE NO.
29

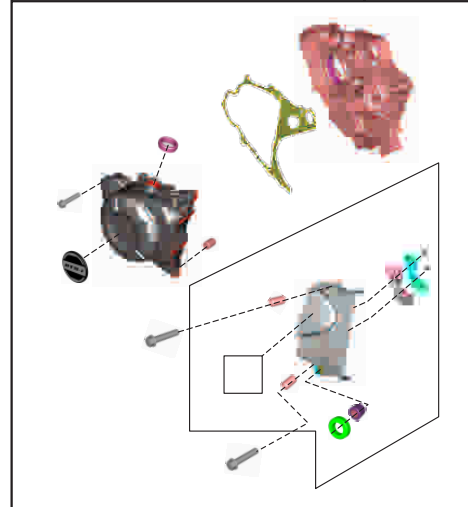
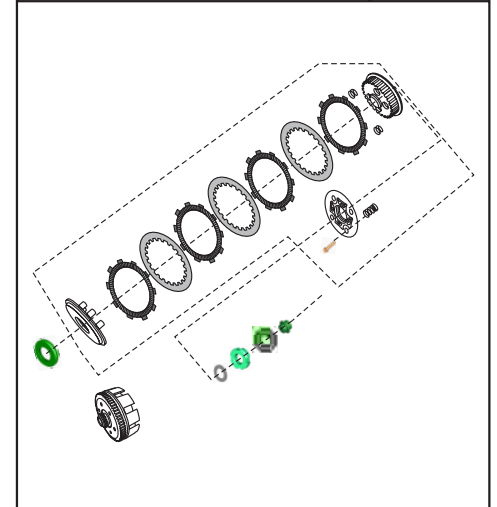


PLATE NO. : 16
CLUTCH ASSEMBLY

PAGE NO.
31



Pictorial Index

PLATE NO. : 17
OIL PUMP ASSEMBLY

PAGE NO.
33

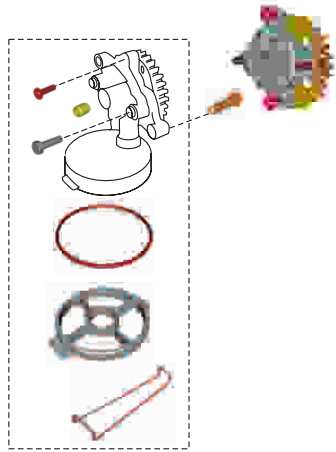


PLATE NO. : 18
CARBURETTOR ASSEMBLY

PAGE NO.
35

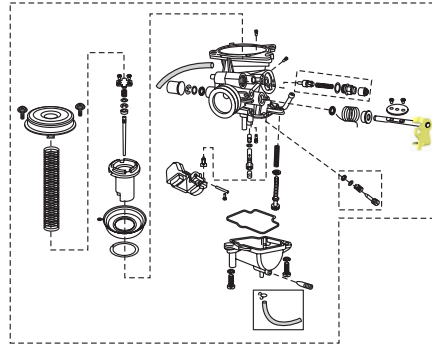


PLATE NO. : 19
SILENCER ASSEMBLY & BELLY PAN

PAGE NO.
37 - 39

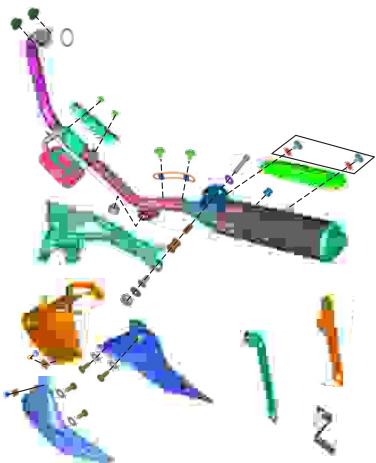
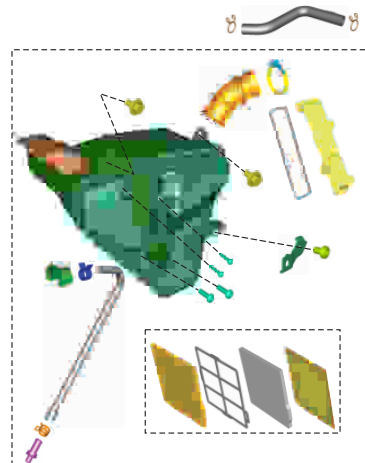


PLATE NO. : 20
AIR CLEANER COMPLETE

PAGE NO.
41



Pictorial Index

PLATE NO. : 21
EVAP MECHANISM

PAGE NO.
43

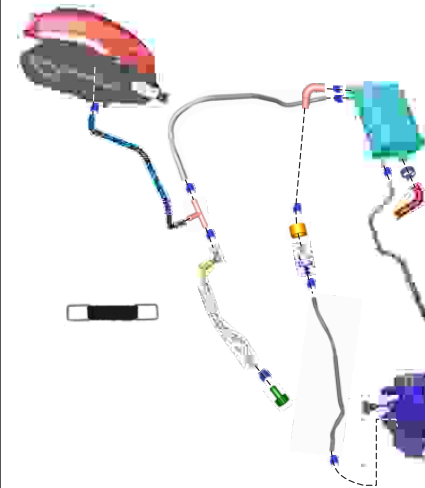


PLATE NO. : 22
MAGNETO, CDI & H.T. COIL

PAGE NO.
45

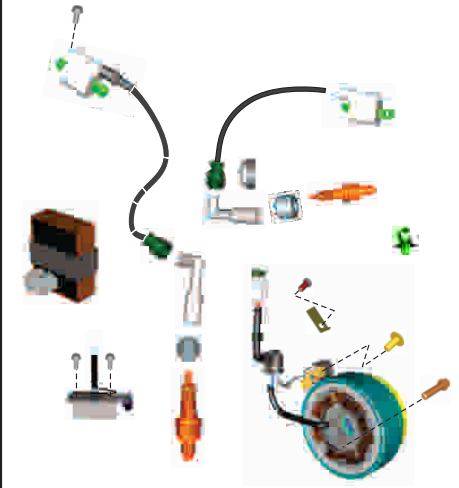


PLATE NO. : 23
STARTER ASSEMBLY

PAGE NO.
47

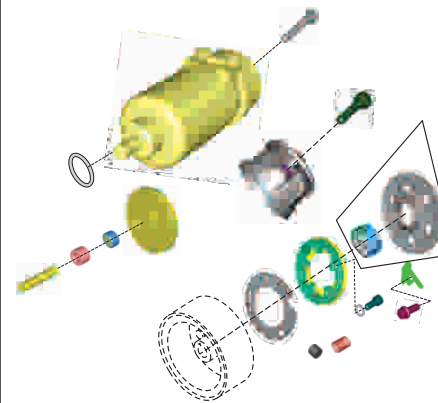


PLATE NO. : 24
FRAME AND FRAME FITTINGS

PAGE NO.
49



Pictorial Index

PLATE NO. : 25
ENGINE MOUNTINGS

PAGE NO.
51

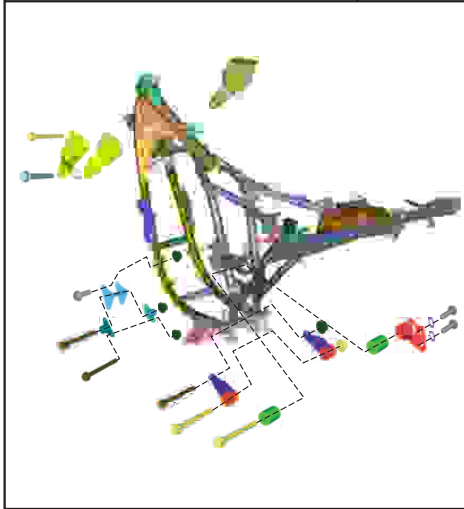


PLATE NO. : 26
SWING ARM &
REAR SHOCK ABSORBER

PAGE NO.
53

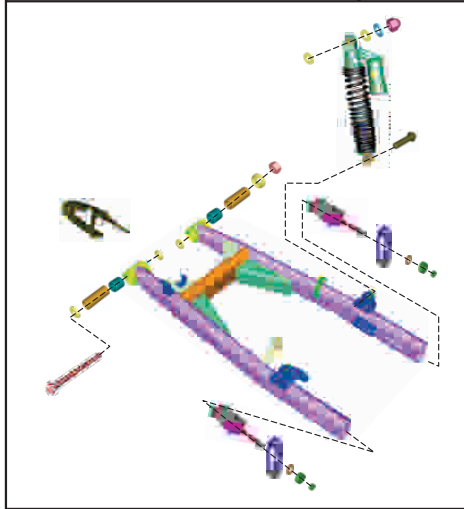


PLATE NO. : 27
RIDER, PILLION FOOT REST &
STEP HOLDER

PAGE NO.
55 - 57

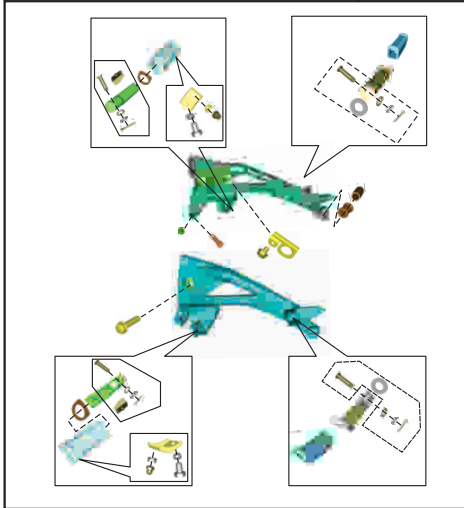
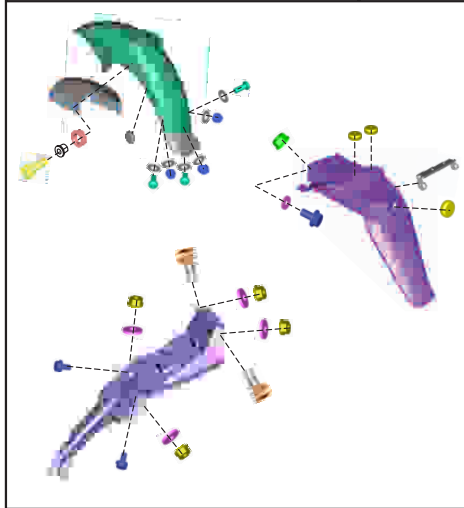


PLATE NO. : 28
MUDGUARD - FRONT & REAR

PAGE NO.
59



Pictorial Index

PLATE NO. : 29
CENTER & SIDE STAND ASSEMBLY

PAGE NO.
61



PLATE NO. : 30
TUBE / TYRE / RIM

PAGE NO.
63

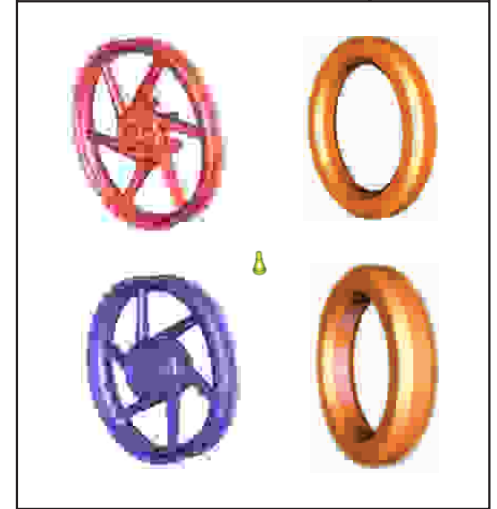


PLATE NO. : 31
FRONT WHEEL ASSEMBLY

PAGE NO.
65

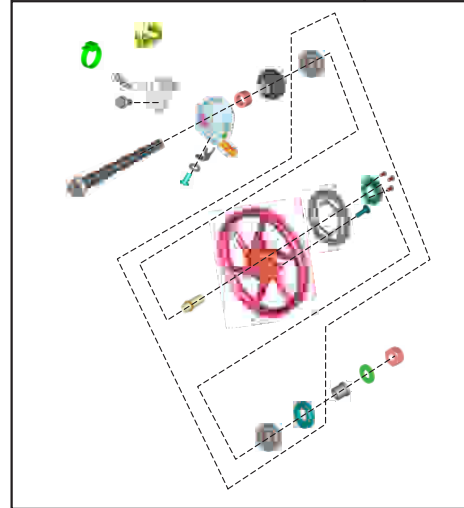
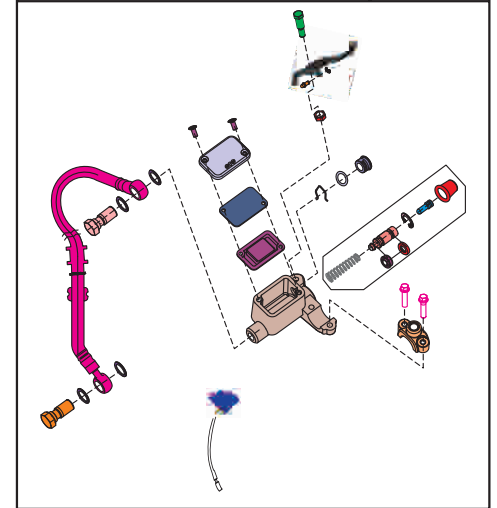


PLATE NO. : 32
FRONT MASTER CYLINDER ASSEMBLY

PAGE NO.
67



Pictorial Index

PLATE NO. : 33
FRONT BRAKE - CALIPER & DISC

PAGE NO.
69

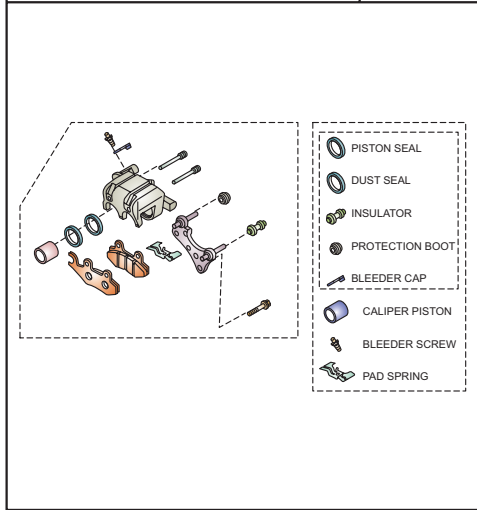


PLATE NO. : 34
REAR WHEEL ASSEMBLY

PAGE NO.
71 - 73

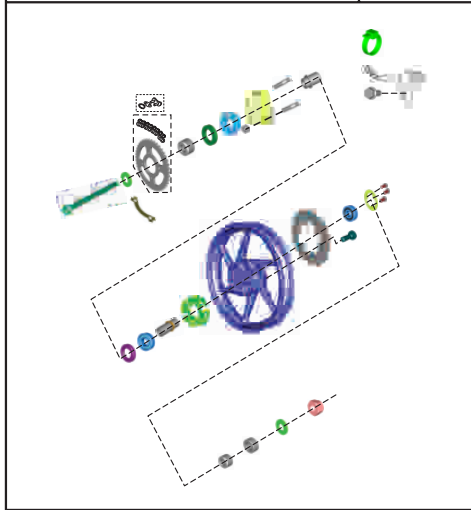


PLATE NO. : 35
REAR DISC BRAKE SYSTEM

PAGE NO.
75

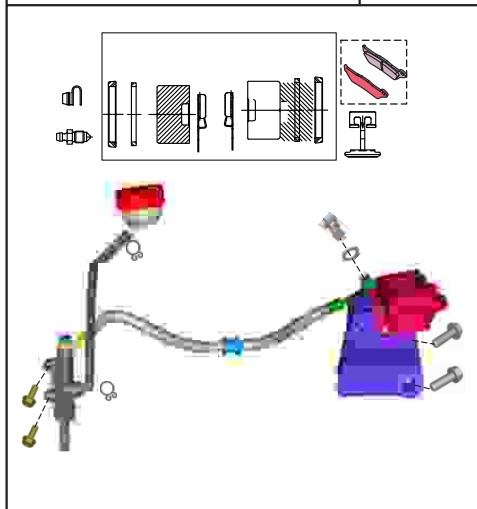
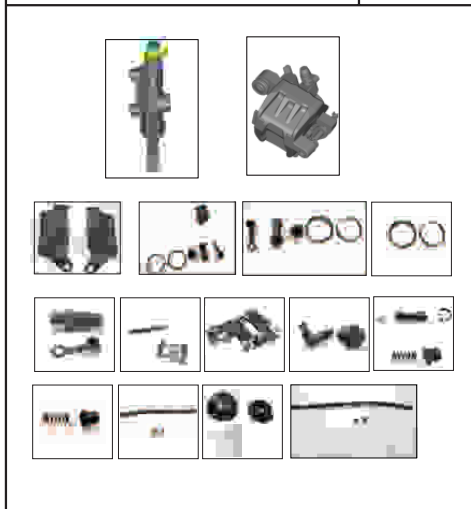


PLATE NO. : 36
REAR DIST BRAKE -
MASTER CYLINDER & CALIPER

PAGE NO.
77



Pictorial Index

PLATE NO. : 37
REAR BRAKE PEDAL

PAGE NO.
79

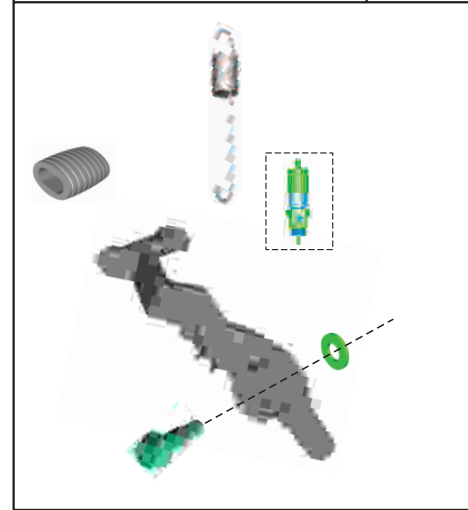


PLATE NO. : 38
ANTI LOCK BRAKING SYSTEM (ABS)

PAGE NO.
81

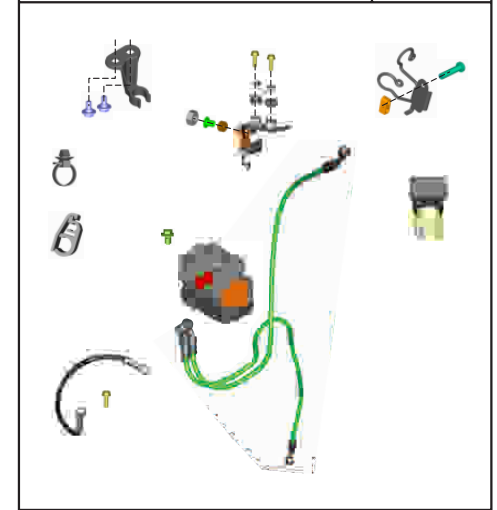


PLATE NO. : 39
HANDLE BAR

PAGE NO.
83 - 85

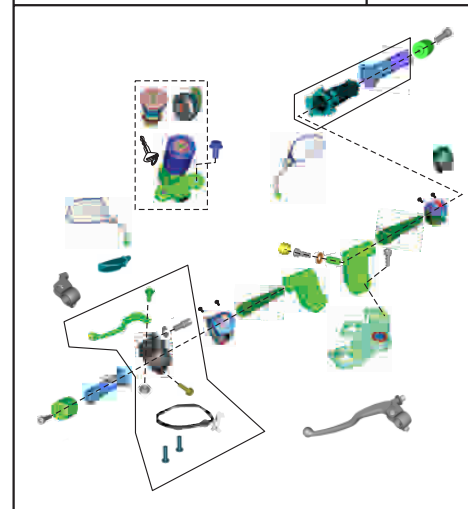
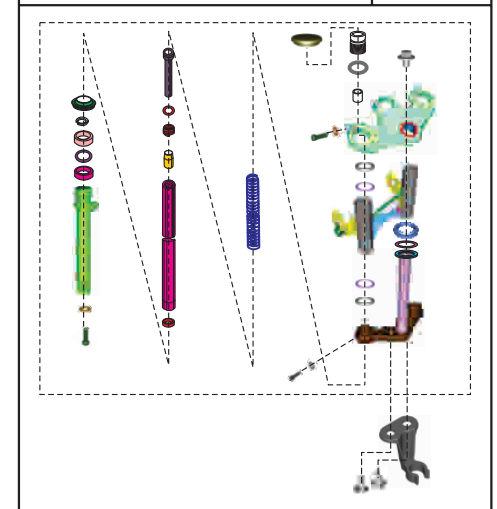


PLATE NO. : 40
FRONT FORK

PAGE NO.
87 - 89



Pictorial Index

PLATE NO. : 41
FUEL TANK, FUEL COCK, CAP TANK &
FUEL GAUGE

PAGE NO.
91

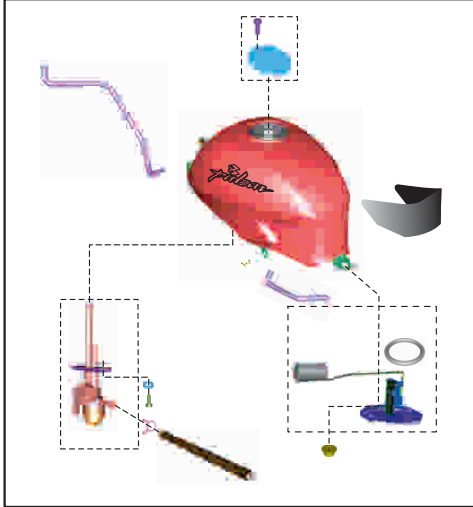


PLATE NO. : 42
FITTINGS PETROL TANK SPOILER,
SIDE COVER & COVER SEAT

PAGE NO.
93



PLATE NO. : 43
SEAT ASSEMBLY & SEAT LOCK

PAGE NO.
95

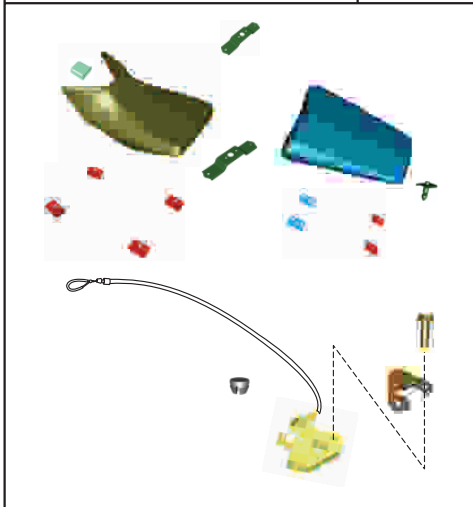
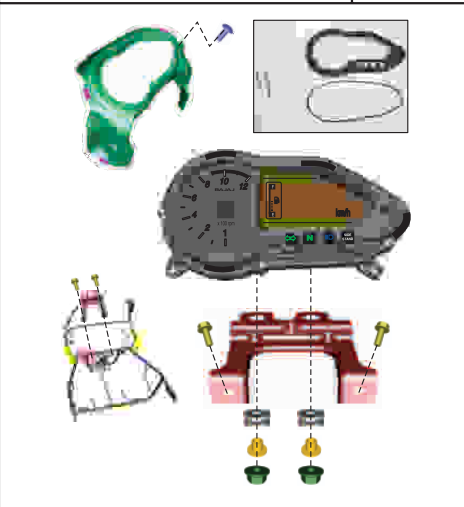


PLATE NO. : 44
SPEEDOMETER ASSEMBLY

PAGE NO.
97



Pictorial Index

PLATE NO. : 45
CABLES

PAGE NO.
99

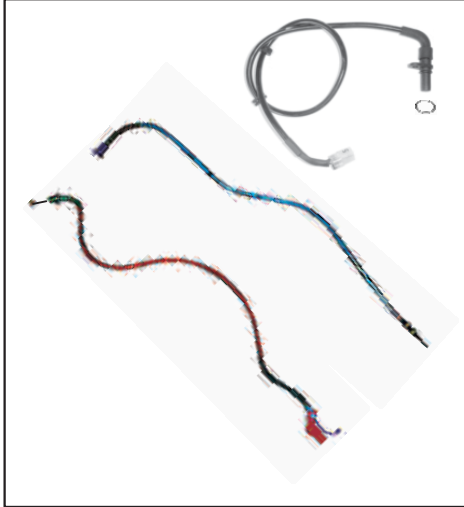


PLATE NO. : 46
LEG GUARDS, SAREE GUARD &
GRAB HANDLE

PAGE NO.
101

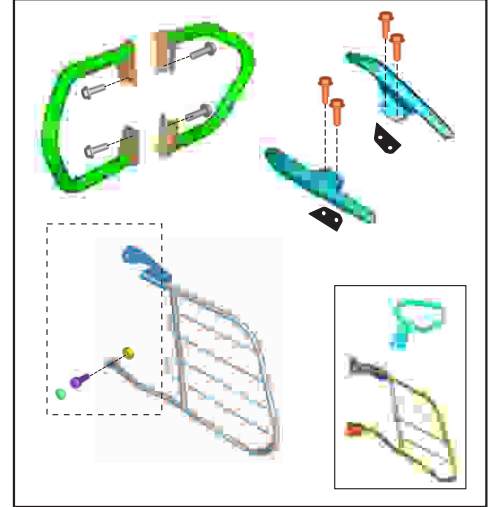


PLATE NO. : 47
CHAIN CASE

PAGE NO.
103

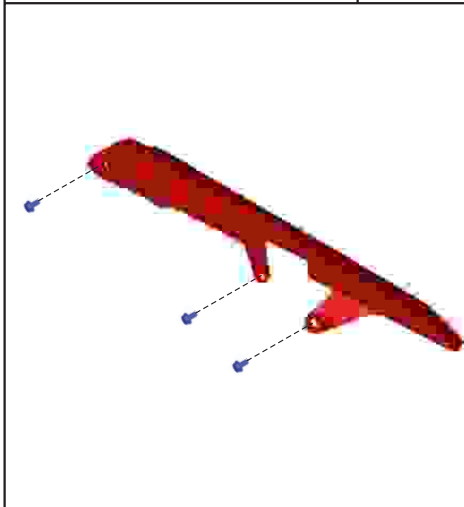
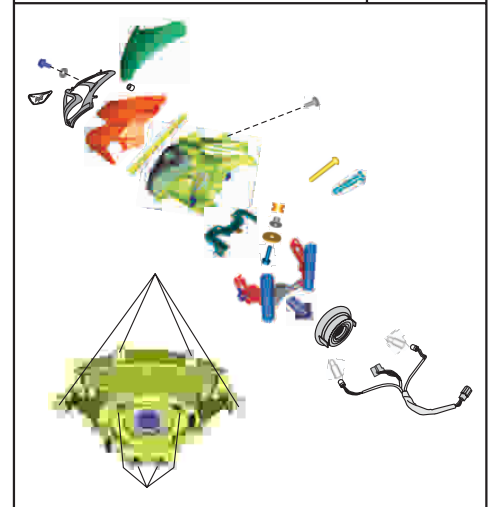


PLATE NO. : 48
HEAD LAMP & FAIRING

PAGE NO.
105



Pictorial Index

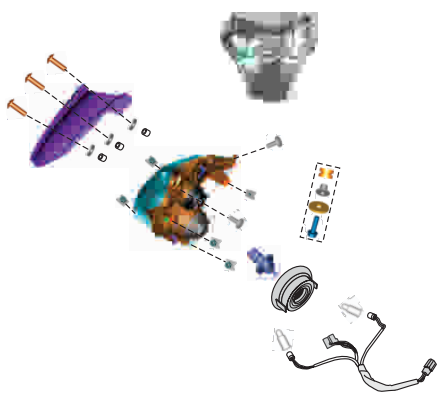
PLATE NO. : 49 HEAD LAMP ASSEMBLY - FOR HALF FAIRING MODEL	PAGE NO. 107
	


PLATE NO. : 50 INDICATOR LIGHT ASSEMBLY	PAGE NO. 109
	

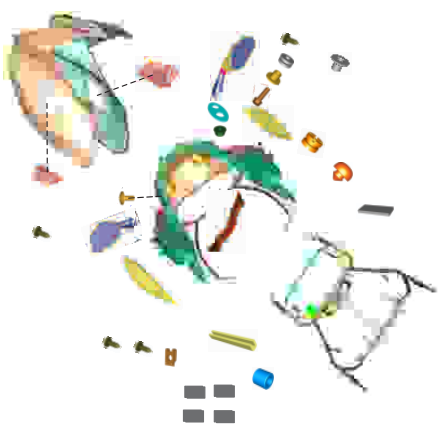
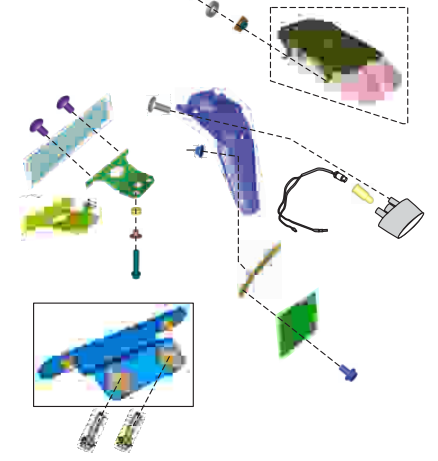
PLATE NO. : 51 FAIRING & MOUNTING - FOR HALF FAIRING MODEL	PAGE NO. 111
	

PLATE NO. : 52 TAIL LAMP ASSEMBLY & FRONT / REAR NUMBER PLATE	PAGE NO. 113
	

Pictorial Index

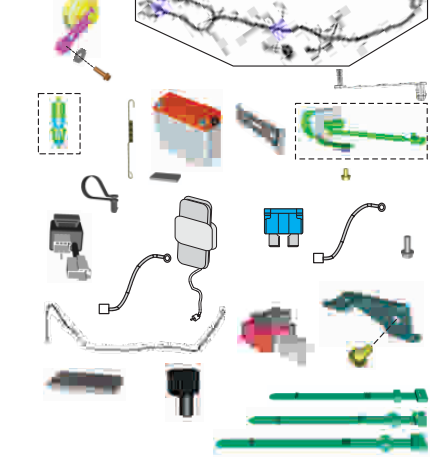
PLATE NO. : 53 ELECTRICAL EQUIPMENTS	PAGE NO. 115 - 117
	


PLATE NO. : 54 TOOL KIT	PAGE NO. 119
	

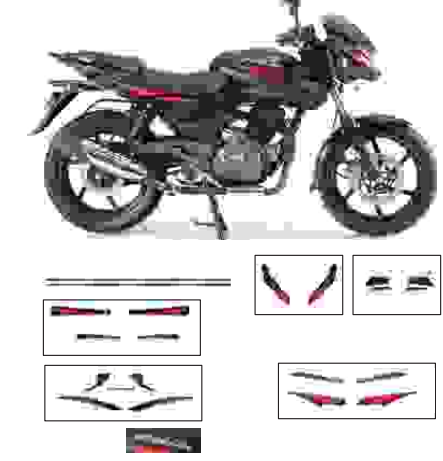
PLATE NO. : 55 PAINTED PARTS & DECALS	PAGE NO. 121 - 127
	

PLATE NO. : 56 PAINTED PARTS & DECALS - COCKTAIL WINE RED & SAFFIRE BLUE	PAGE NO. 129 - 131
	

Pictorial Index


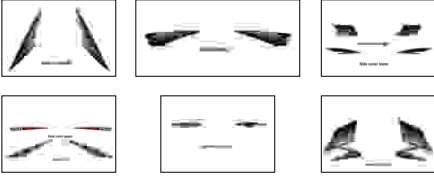
PLATE NO. : 57 PAINTED PARTS & DECALS - DEC. 2017	PAGE NO. 133
	
	


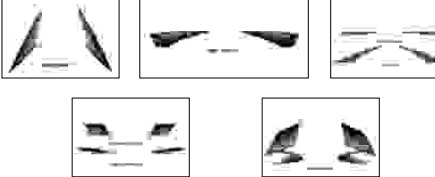
PLATE NO. : 58 PAINTED PARTS & DECALS - FEB. 2018 FOR POLICE VEHICLES	PAGE NO. 135
	
	




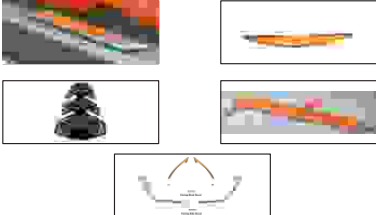

PLATE NO. : 59 PAINTED PARTS & DECALS - NOV. 2018	PAGE NO. 137 - 139
	
	

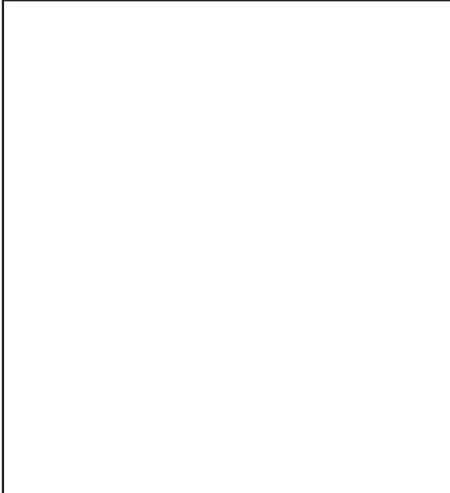
PLATE NO. : 60 PAINTED PARTS & DECALS - FOR HALF FAIRING (HF)	PAGE NO. 141 - 143
	
	

Pictorial Index

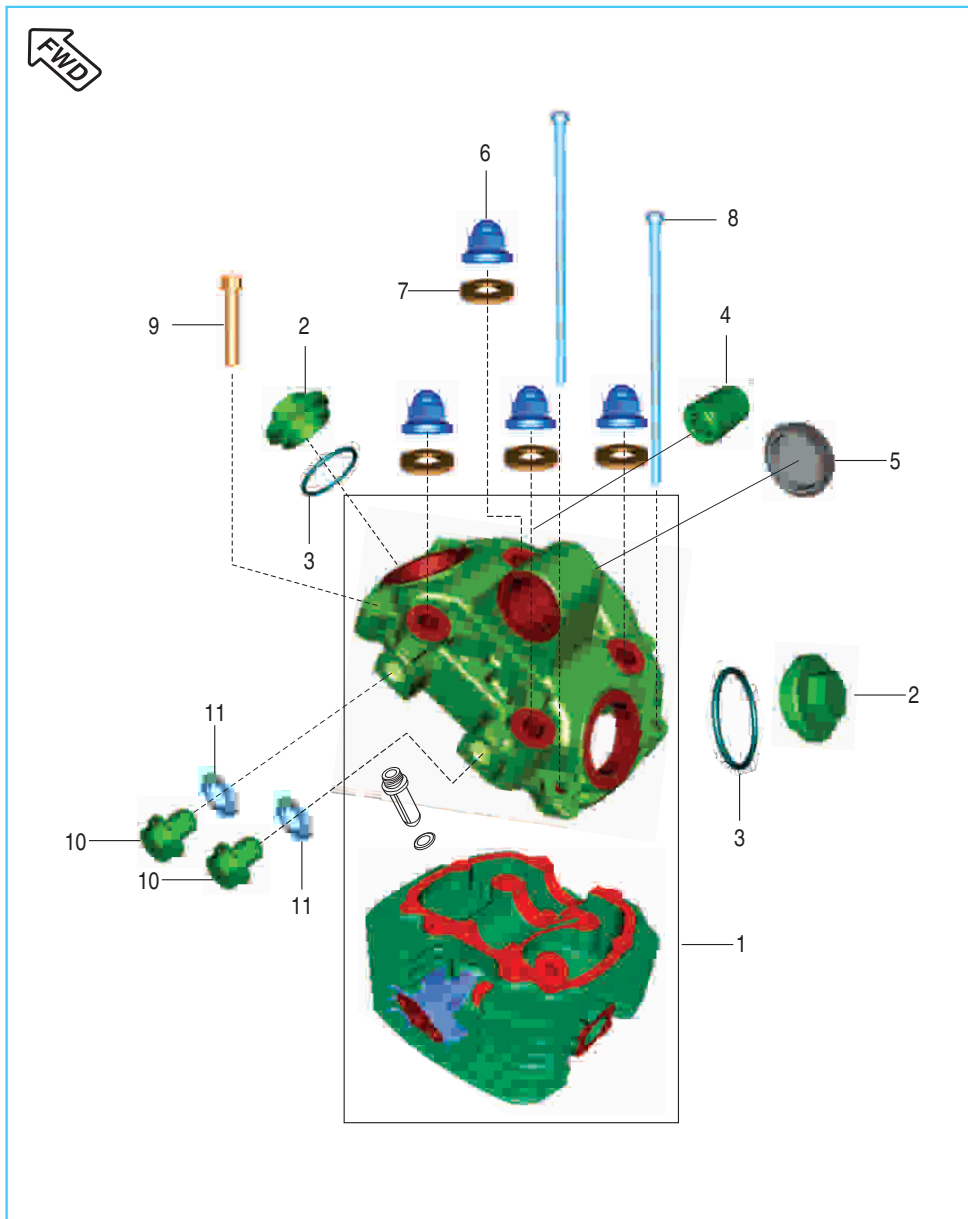
PLATE NO. : 61 CONSUMABLE PARTS	PAGE NO. 145 - 147
	

PLATE NO. : 61 CONSUMABLE PARTS	PAGE NO. 145 - 147
	

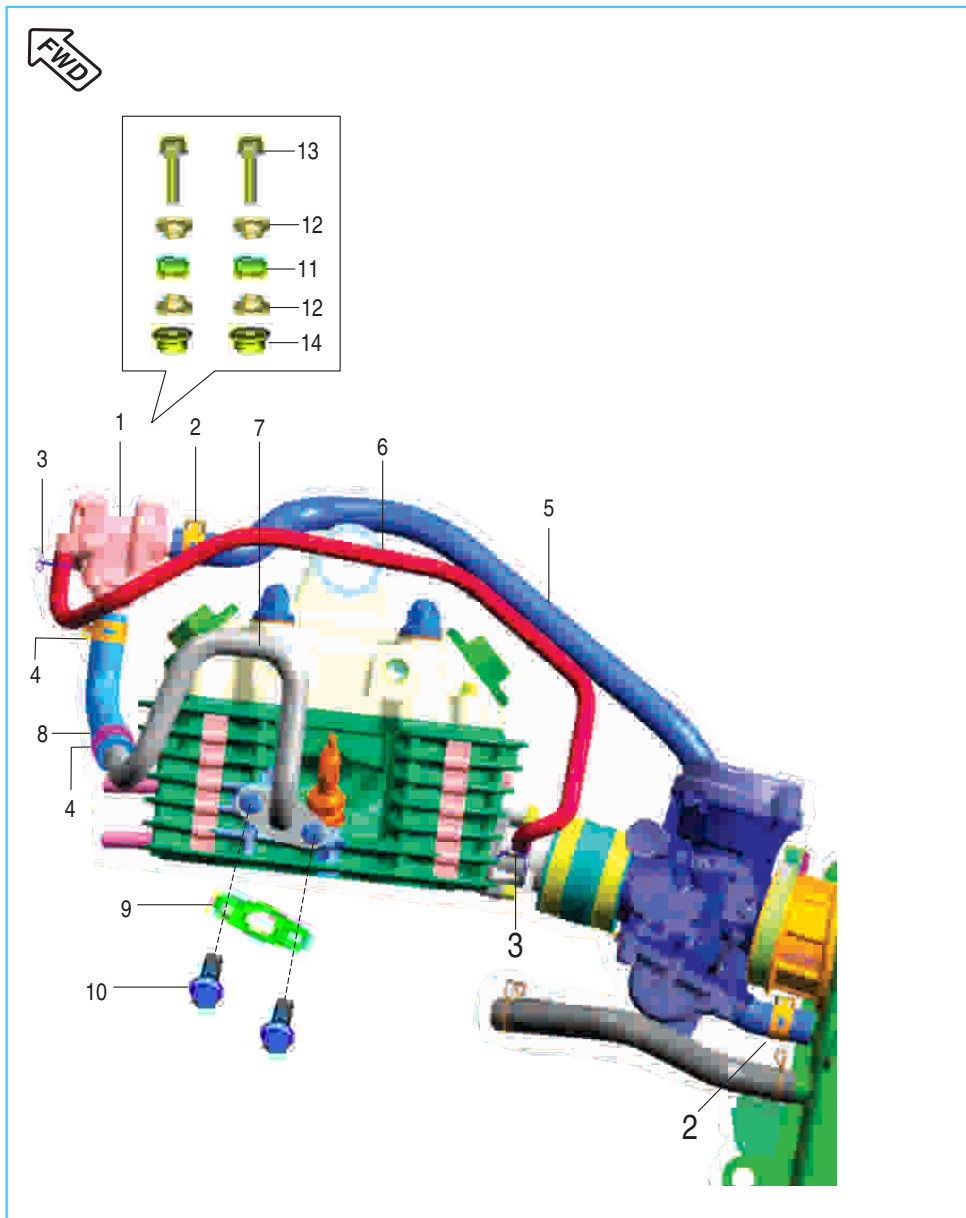
	

Cover Cylinder Head



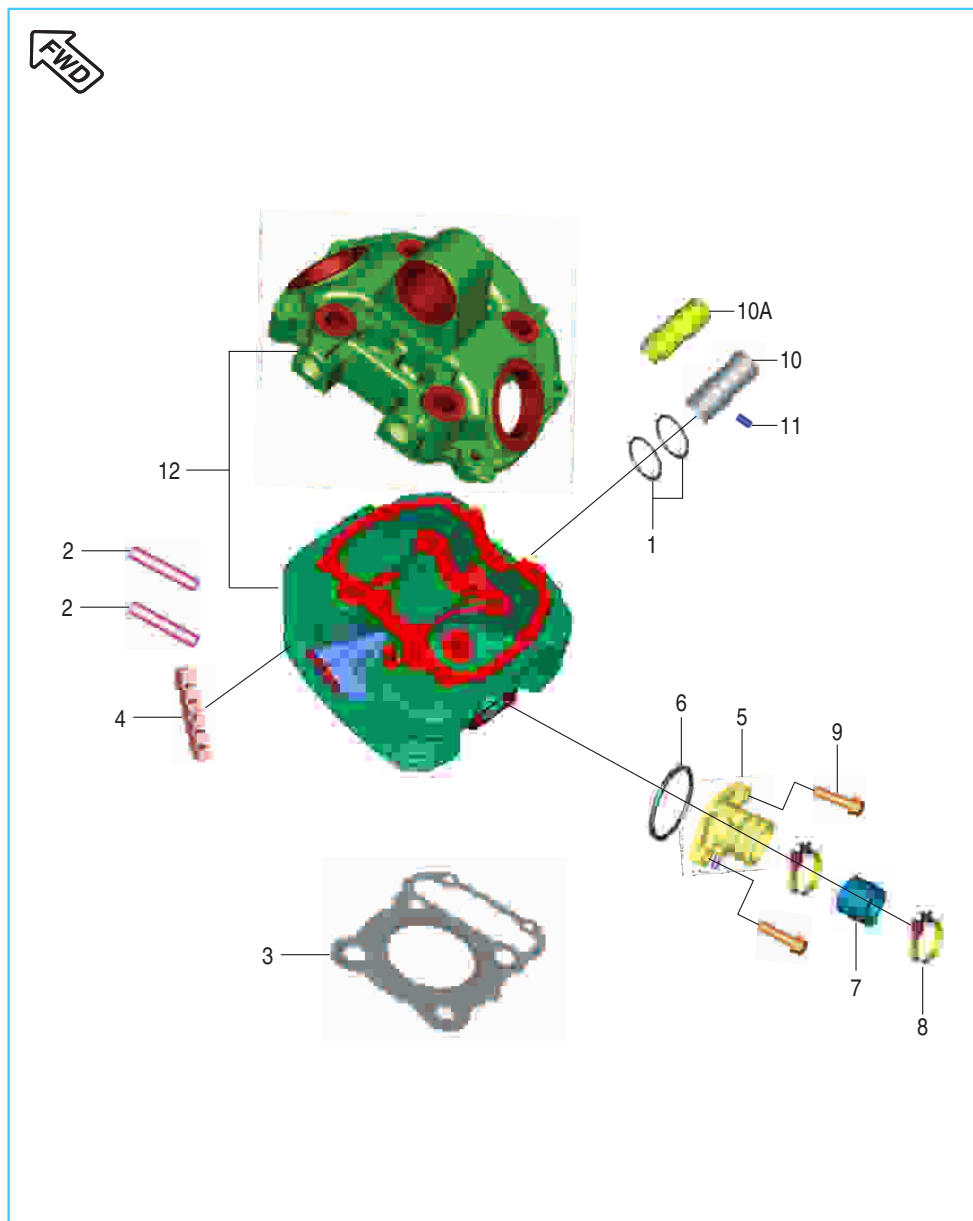
No.	Part No.	Description	Qty.	Remarks
1	DJ 1017 11	Assembly Head Mach. With Cover	1	
2	52 JN01 36	Cover Tappet	2	
3	39 2391 21	'O' Ring	2	
4	DS 1011 66	Silent Bush	1	
5	DH 1022 01	Camshaft Cap	1	
6	39 2647 15	Domed Cap Nut	4	
7	DS 1010 84	Copper Washer	4	
8	39 2532 04	Hex. Bolt with Flange	2	
9	39 1075 04	Hex. Bolt / Flange	4	
	KA ED06 35	Bolt flanged small	4	For Half fairing
10	DH 1012 72	Plug	2	
	DH 1019 16	Bolt	2	For Half fairing
11	DG 1014 98	Gasket	2	

SAI System



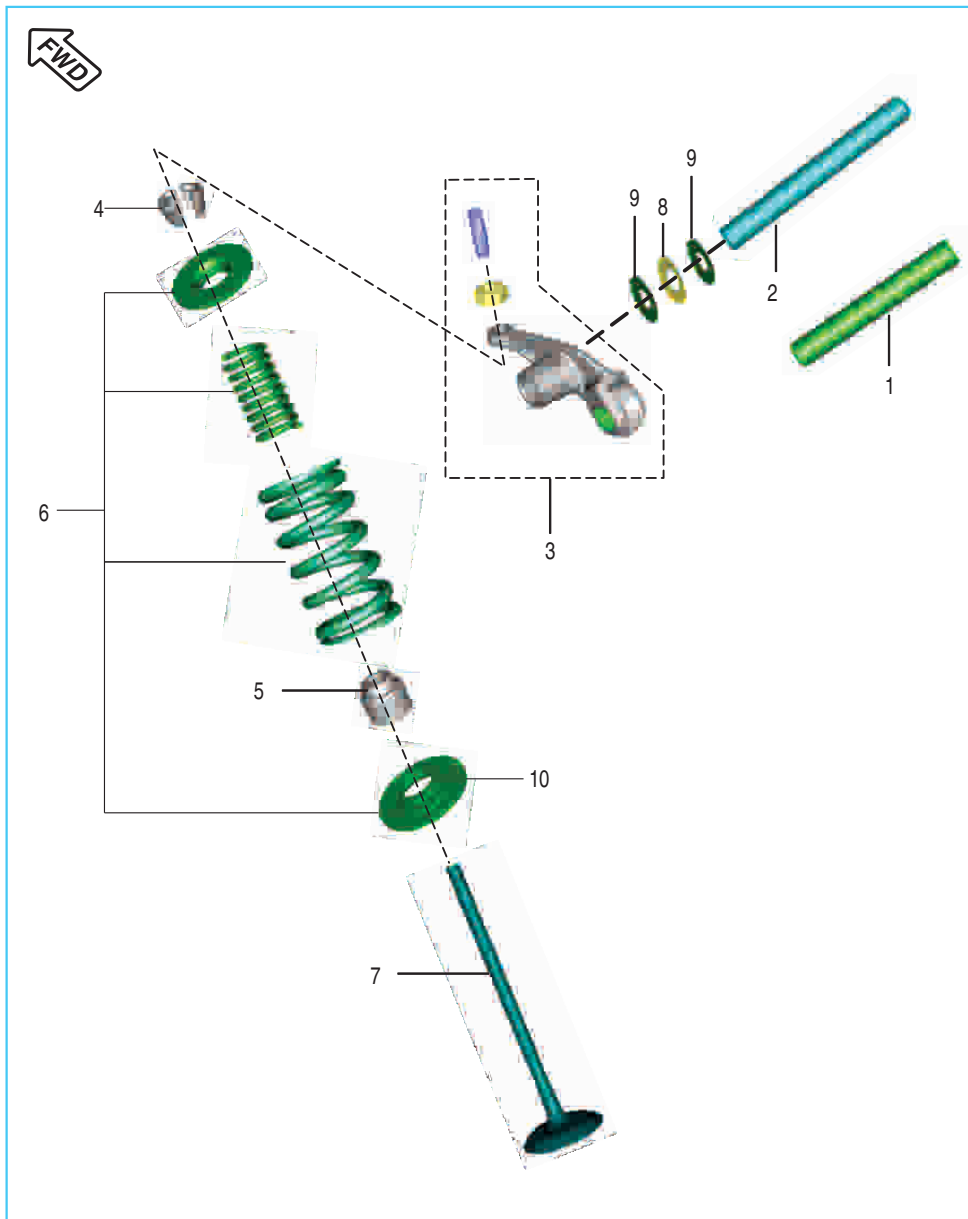
No.	Part No.	Description	Qty.	Remarks
1	PD 5822 00	SAI Unit	1	
2	JL 5810 66	Clamp SAI Pipe	2	
3	33 1410 08	Clamp	2	
4	JL 5810 65	Clamp Hose SAI	2	
5	DJ 1210 89	Tube SAI Air Filter	1	
6	DK 1210 91	Hose SAI Unit To Manifold	1	
7	DH 1021 74	Metal Pipe With Flange SAI	1	
8	DH 1021 75	Hose SAI Unit To SAI Pipe	1	
9	DH 1021 80	Gasket Metal Pipe With Flange SAI	1	
10	KA EG06 14	Flanged Bolt	2	
11	JD 1138 14	Grommet SAI Unit	2	
12	JD 1138 15	Sleeve SAI Unit	4	
13	KA DF06 30	Bolt Flanged	2	
	KA DD06 30	Bolt Flanged	2	For Half fairing
14	KC GF06 06	Nut Hex Flanged - M6 x 1 x CL 8 x Green	2	
	KC GD06 06	Nut hex flanged	2	For Half fairing

Cylinder Head



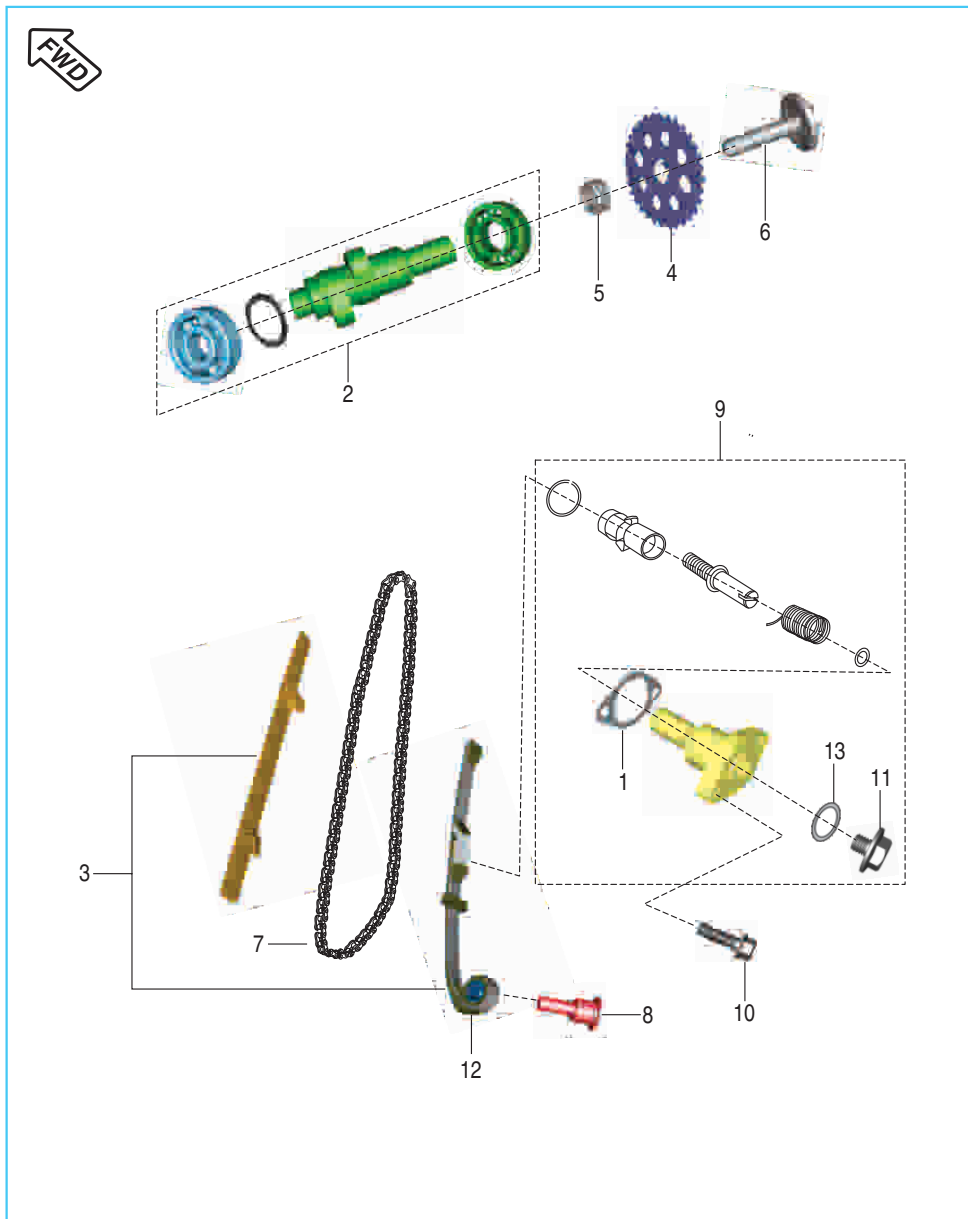
No.	Part No.	Description	Qty.	Remarks
1	36 DS10 01	'O' Ring Kit for Cover Cyl. Head	1	Refer Kit List
	KJ AC18 24	'O' Ring	1	For Half fairing
	39 1283 21	'O' Ring	1	For ABS Model
2	39 1660 05	Stud (Exhaust)	2	
3	DJ 1010 12	Gasket Cylinder Head	1	
4	DH 1015 08	Damper Cylinder Head	5	
5	DJ 1210 90	Assembly Manifold With Nipple	1	
6	39 2539 21	'O' Ring (Intake Pipe)	1	
7	DJ 1210 22	Carburettor Insulator	1	
8	DH 1210 38	Clamp for Insulator	2	
9	39 1674 04	Hex. Bolt / Flange	2	
10	DH 1110 12	Sleeve - Spark Plug	1	
10A	DJ 1017 38	Sleeve plug spark	1	For ABS Model
11	39 2608 01	Grub Screw	1	
12	DJ 1017 11	Assembly Head Mach. With Cover	1	

Valve



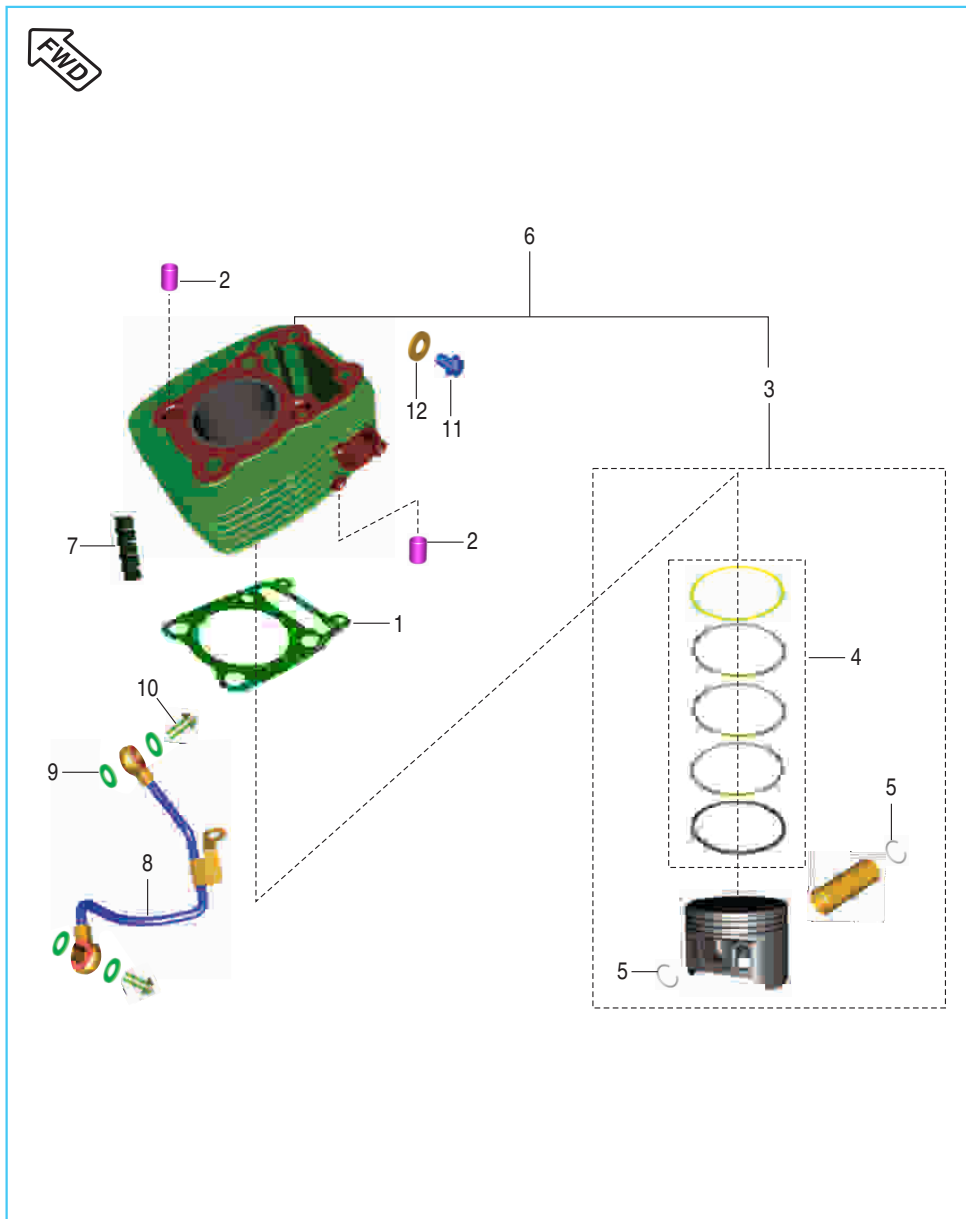
No.	Part No.	Description	Qty.	Remarks
1	DK 1017 48	Rocker Arm Shaft - Intake	1	
2	DK 1017 51	Rocker Arm Shaft - Exhaust	1	
3	DK 1017 55	Rocker Arm without roller	2	
4	DG 1010 29	Cotter valve	4	
5	39 2017 19	Seal valve stem	2	
6	DK 1013 26	Valve Repair Kit	1	Refer Kit List
7	36 DJ10 04	Valve Kit	1	Refer Kit List
8	DH 1012 95	Wave washer	2	
9	39 2440 11	Plain washer	4	
10	DK 1012 47	Retainer valve spring	2	For ABS Model

Camshaft & Tensioner



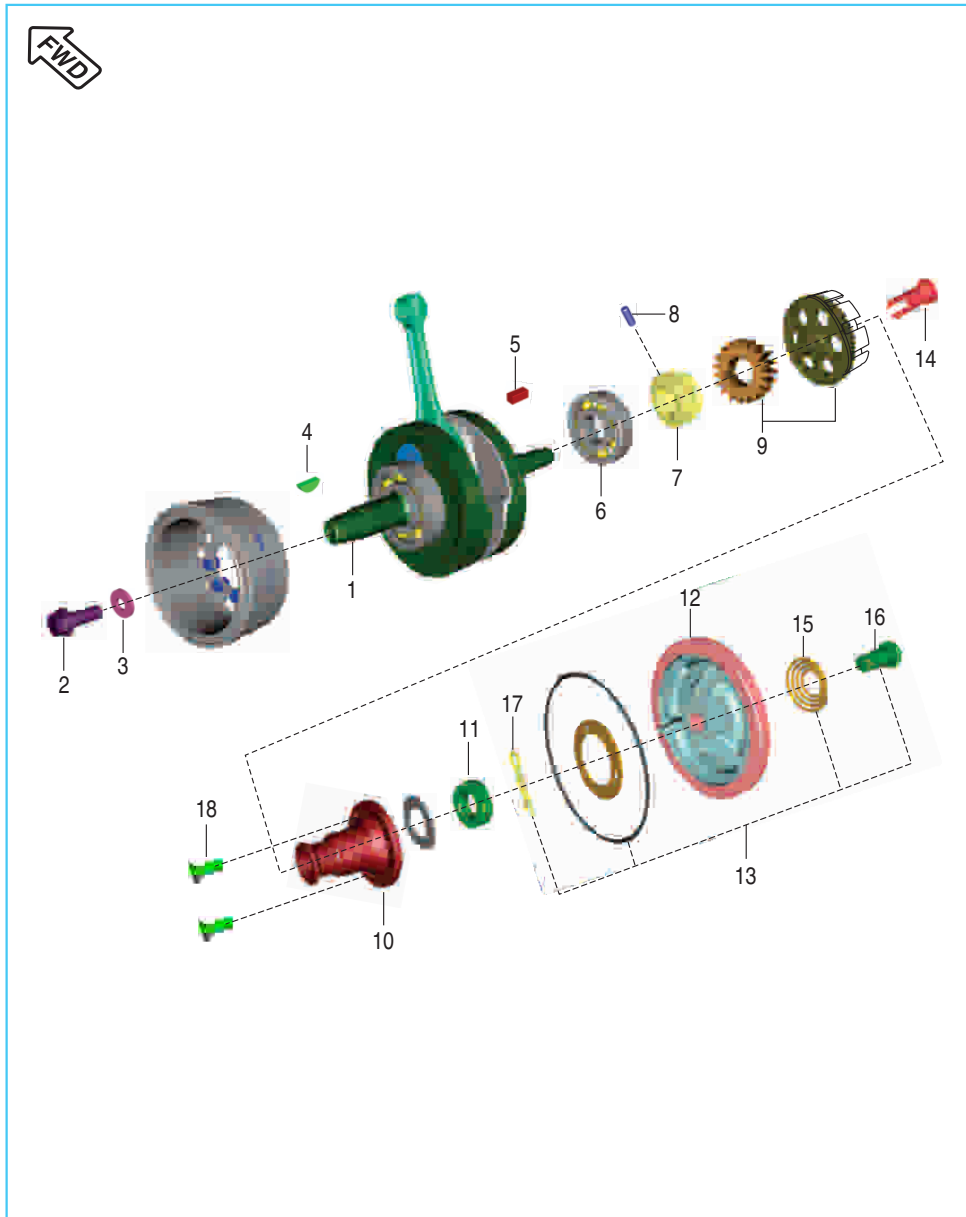
No.	Part No.	Description	Qty.	Remarks
1	CS 1011 28	Gasket Tensioner Assembly	1	
2	DJ 1013 73	Camshaft Assembly With Bearings	1	
3	36 DH40 30	Guide Chain Kit	1	
4	PD 5112 29	Sprocket Cam Driver	1	
5	DH 1014 12	Collar Cam Sprocket	1	
6	DH 1021 25	Bolt Special Camshaft	1	
7	JC 1010 35	Cam Chain	1	
8	DH 1013 92	Cam Chain Tensioner Pivot Bolt	1	
9	JC 1010 34	Tensioner Assembly	1	
10	39 1673 04	Hex Bolt / Flange	2	
	KA ED06 20	Bolt flanged small	2	For Half fairing
11	DD 1010 62	Bolt	1	
12	DK 1010 59	Guide Chain (Slack)	1	
13	39 2669 21	O-Ring	1	For Half fairing

Cylinder and Piston



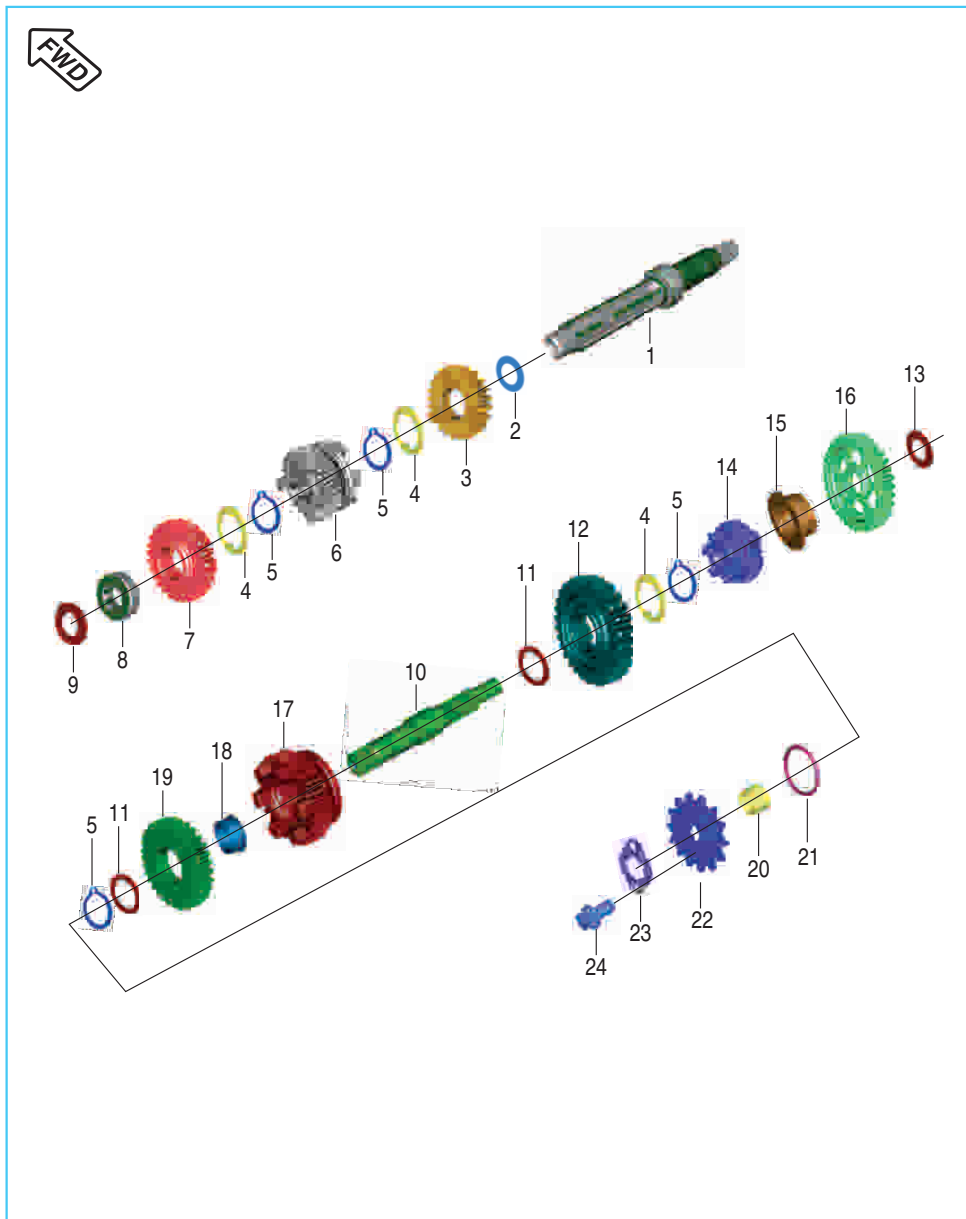
No.	Part No.	Description	Qty.	Remarks
1	DJ 1010 04	Gasket Cylinder	1	For Half fairing
	DK 1010 63	Gasket cylinder block	1	
2	39 2181 06	Pin Dowel	4	
3	DJ 1011 58	Piston Assembly Std.	1	
4	DK 1810 12	Ring Set Piston	1	
5	39 2132 17	Ring Snap	2	
6	DJ 1013 71	Cylinder Block & Piston	1	
7	DH 1014 14	Damper Cylinder Block	4	
8	DK 1015 92	Assembly Oil Pipe	1	
9	31 1210 06	Gasket	4	
10	DD 1210 07	Bolt	2	
11	39 1689 04	Bolt (dummy for Temp sensor)	1	
12	39 2448 11	Washer (dummy for Temp sensor)	1	

Crankshaft



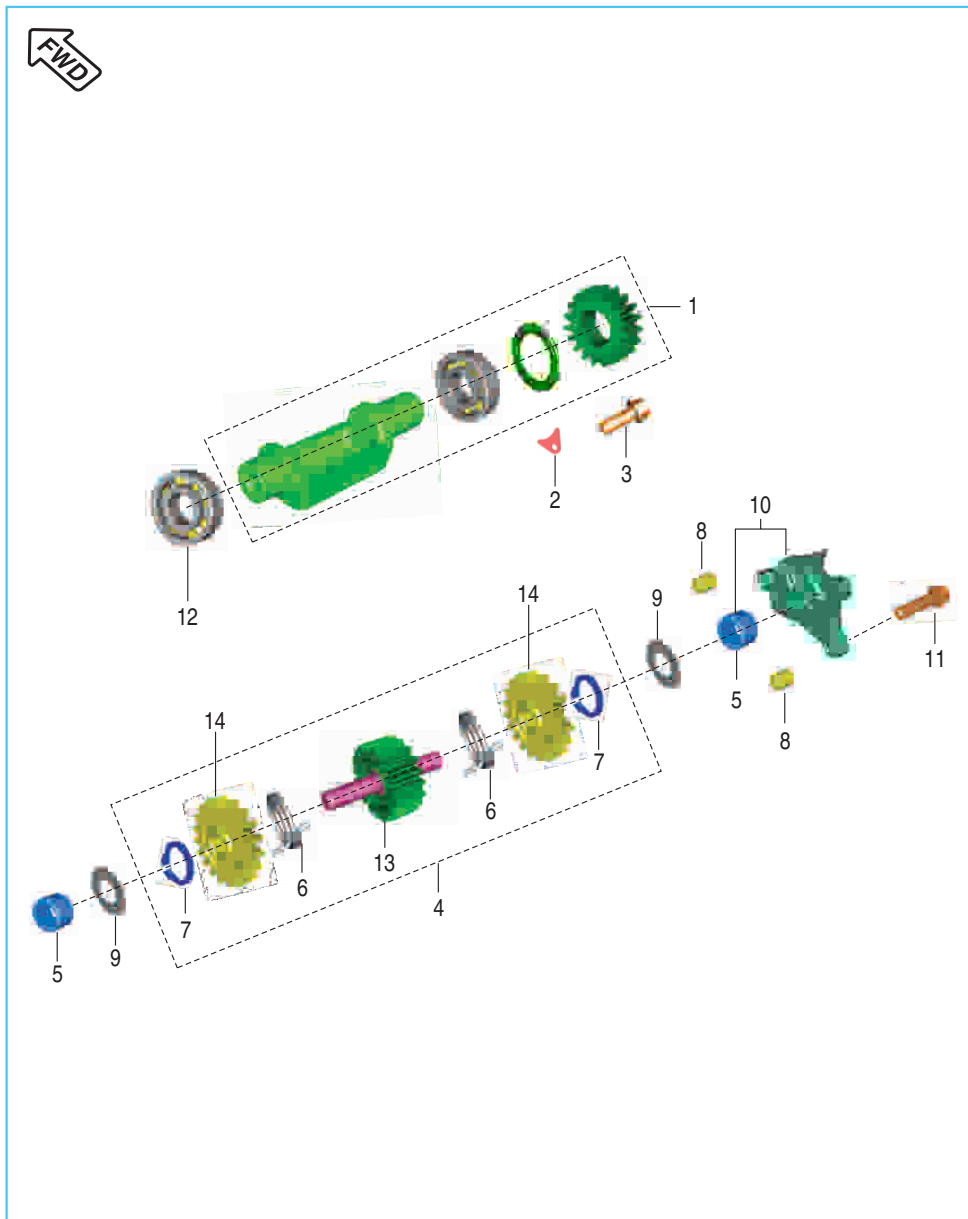
No.	Part No.	Description	Qty.	Remarks
1	JC 1010 01	Crankshaft Assembly Complete	1	
2	DH 1013 96	Bolt	1	
3	39 2165 11	Plain Washer	1	
4	31 1011 73	Key Woodruff	1	
5	DS 1011 54	Square Key	1	
6	39 1931 20	Bearing Ball	1	
7	PD 5310 29	Sprocket Crankshaft	1	
8	39 2203 07	Parallel Pin	1	
9	36 DK00 38	Set Primary Driver & Driven	1	Refer Kit List
10	DH 1021 51	Body Centrifugal Oil Filter	1	
	DH 1010 64	Body centrifugal oil filter	1	For Half fairing
11	DH 1011 95	Nut	1	7mm. (Height)
12	DH 1013 55	Cover comp centrifugal oil filter	1	
13	36 DH40 19	Kit Centrifugal Oil Filter	1	Refer Kit List
14	DK 1014 80	Oil plunger	1	
15	DH 1010 67	Spring Oil Delivery B	1	
16	DH 1010 66	Joint Oil Delivery B	1	
17	39 2199 08	Pin Snap	1	
18	DH 1016 40	Screw CSK RD Cross-M5 x 0.8 x L9	3	

Transmission



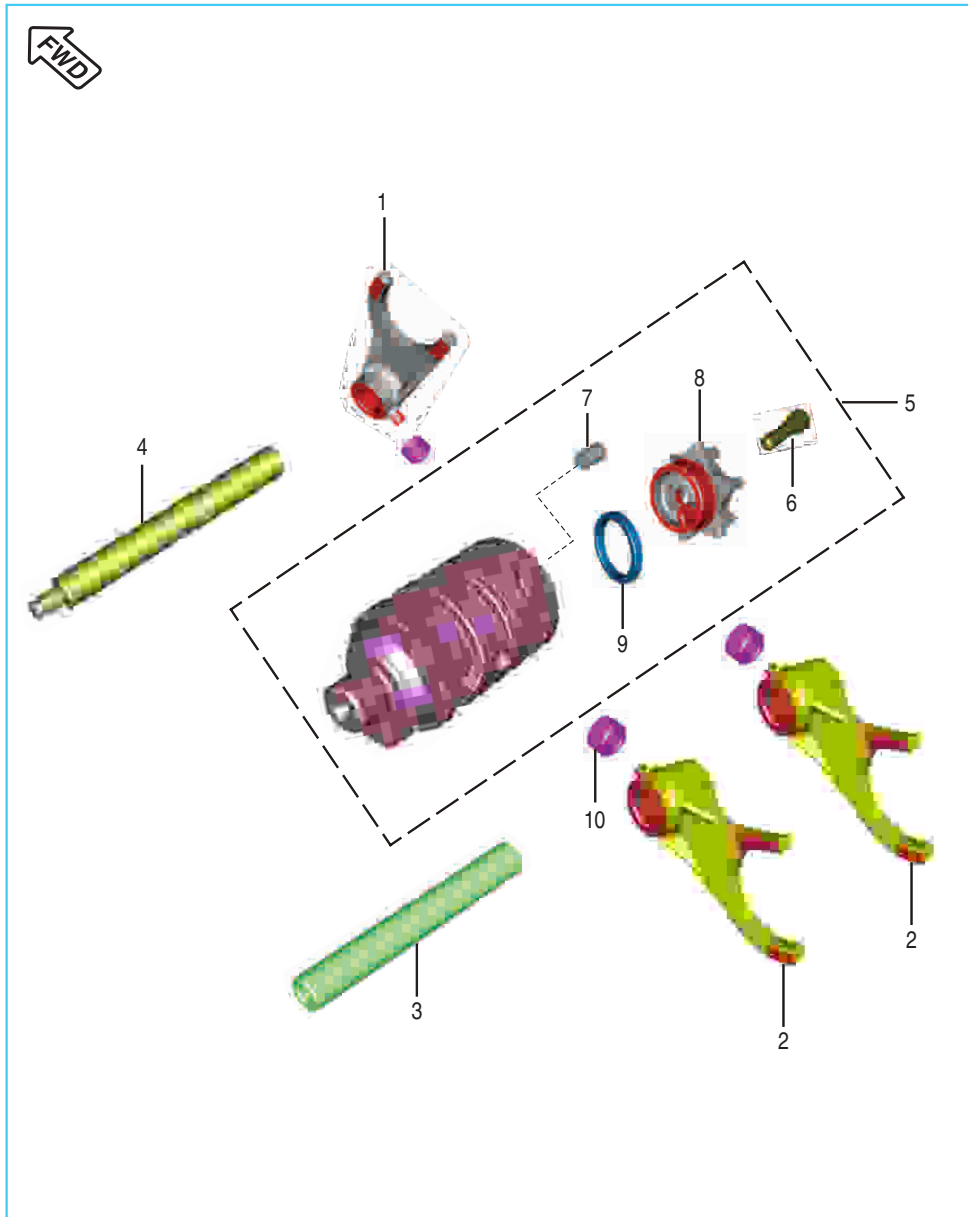
No.	Part No.	Description	Qty.	Remarks
1	DK 1014 71	Shaft Input Transmission	1	
2	39 2158 11	Plain Washer	1	
3	DK 1011 03	Gear 4th Drive	1	
4	DH 1010 79	Washer Spline	3	
5	DH 1012 35	External Circlip	4	
6	DK 1011 02	Gear 3rd Drive	1	
7	DK 1011 04	Gear 5th drive	1	
8	DH 1010 84	Gear 2nd Drive	1	
9	39 2160 11	Plain Washer	1	
10	DK 1011 44	Shaft Output Transmission	1	
11	39 2166 11	Washer Plain	2	
12	DK 1011 05	Gear 3rd Driven	1	
13	39 2159 11	Plain Washer	1	
14	DK 1017 18	Gear 4th Driven	1	
15	DH 1011 11	Bush 1st Driven	1	
16	DK 1017 17	Gear 1st driven	1	
17	DK 1017 21	Gear 5th driven (180)	1	
18	DH 1013 19	Bush 2nd Driven	1	
19	DK 1017 19	Gear 2nd Driven	1	
20	DK 1012 45	Collar Sprocket	1	
21	DK 1013 52	'O' Ring Sprocket Coller	1	
22	DV 1010 48	Sprocket Drive	1	
23	DJ 1010 63	Plate Drive Sprocket	1	For Half fairing
	DJ 1013 12	Plate Drive Sprocket	1	
24	AA 1014 37	Screw Pre - Coated	2	
	DH 1013 83	Bolt flange - M6 x 1 x L12	2	For ABS Model

Balancer & Balancer Idler Gear



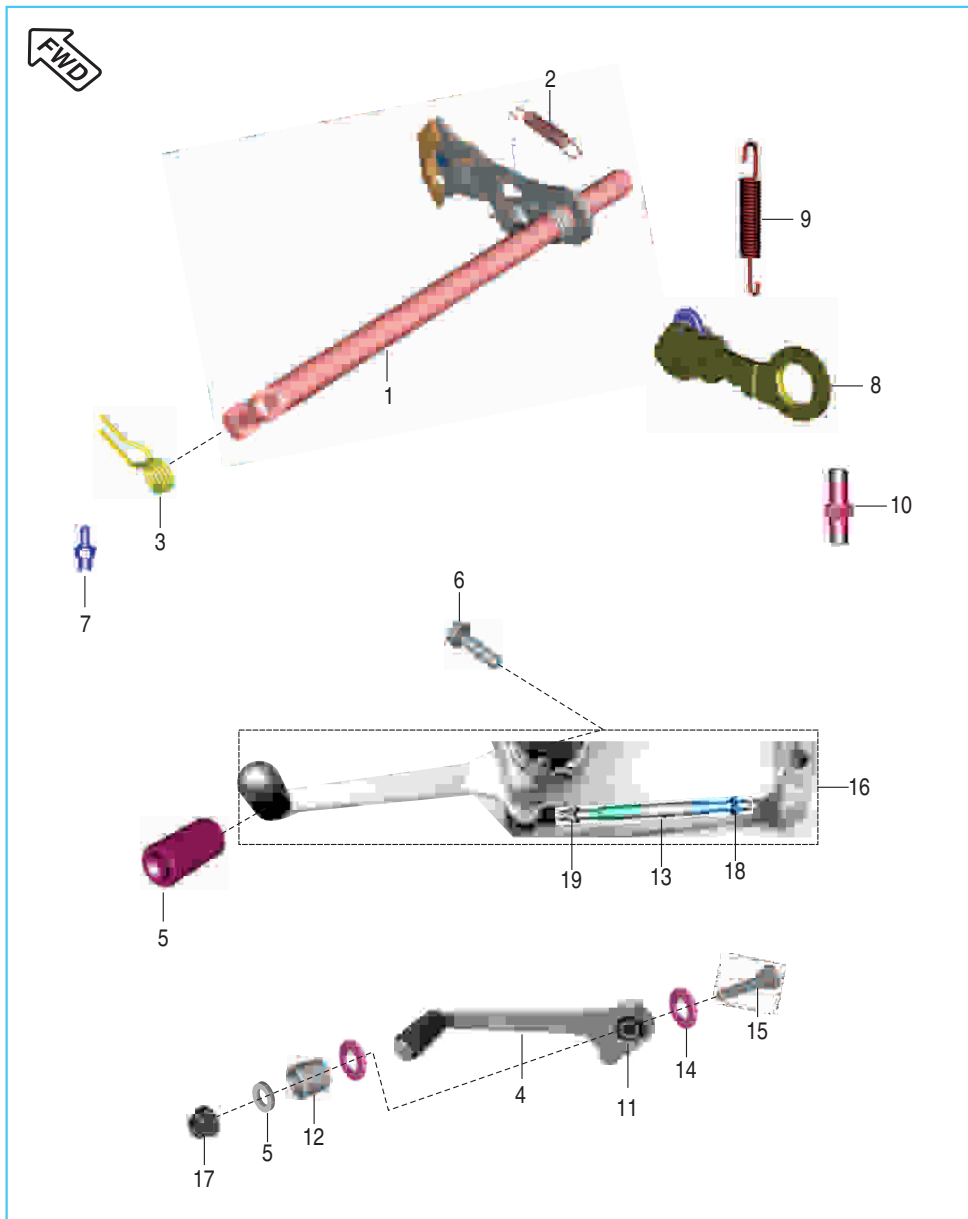
No.	Part No.	Description	Qty.	Remarks
1	DJ 9025 03	Body Balancer Assembly	1	
	PD 5312 32	Balancer assembly	1	For Half fairing
2	DH 1010 72	Bearing Stopper	1	
3	39 1672 04	Bolt	1	
	KA ED06 16	Bolt	1	For Half fairing
4	DH 1020 53	Assembly Balancer Idler Gear Complete	1	
	PD 5312 29	Assembly gear balancer idler	1	For Half fairing
5	39 2152 20	Needle Roller Bearing	2	
6	DH 1014 24	Spring Torsion Balancer	2	
7	39 2557 17	Circlip Ext.	2	
	KE AB10 10	Circlip external	2	For Half fairing
8	39 1686 06	Dowel Pin	2	
9	39 1620 11	Thrust Washer	2	
10	52 DH01 77	Balancer Idler Holder	1	
11	39 1674 04	Bolt	3	
12	59 2000 28	Bearing Ball Balancer RH	1	
13	DH 1020 52	Assembly Balancer Idler Gear	1	
14	DH 1013 73	Scissor balancer idler - nylon	2	For Half fairing

Change Drum & Shaft Fork



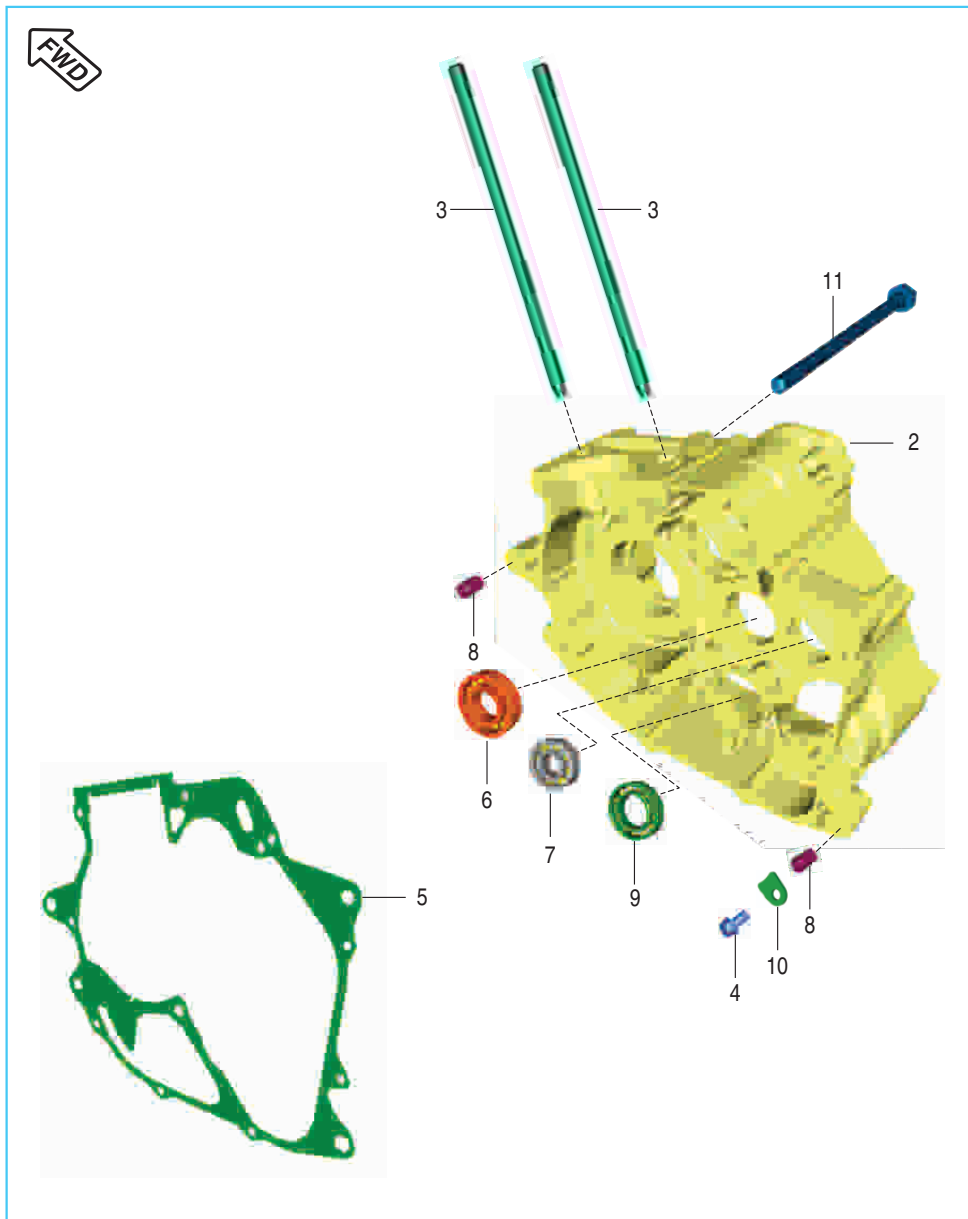
No.	Part No.	Description	Qty.	Remarks
1	DK 1011 59	Fork Gear Shift Input	1	
2	DK 1011 60	Fork Gear Shift output	2	
3	DH 1011 46	Shaft Gear Shift Fork	1	
4	DH 1014 93	Shaft Gear Shift Fork	1	
5	DK 1017 32	Drum Complete Gear Shift	1	
6	39 2639 04	Bolt Socket	1	
7	39 2606 07	Parallel Pin	1	
8	DH 1021 89	Guide Gear Shifter	1	
9	DH 1014 96	Spacer	1	
10	DK 1011 35	Bush Fork Gear Shift	3	

Gear Change Mechanism



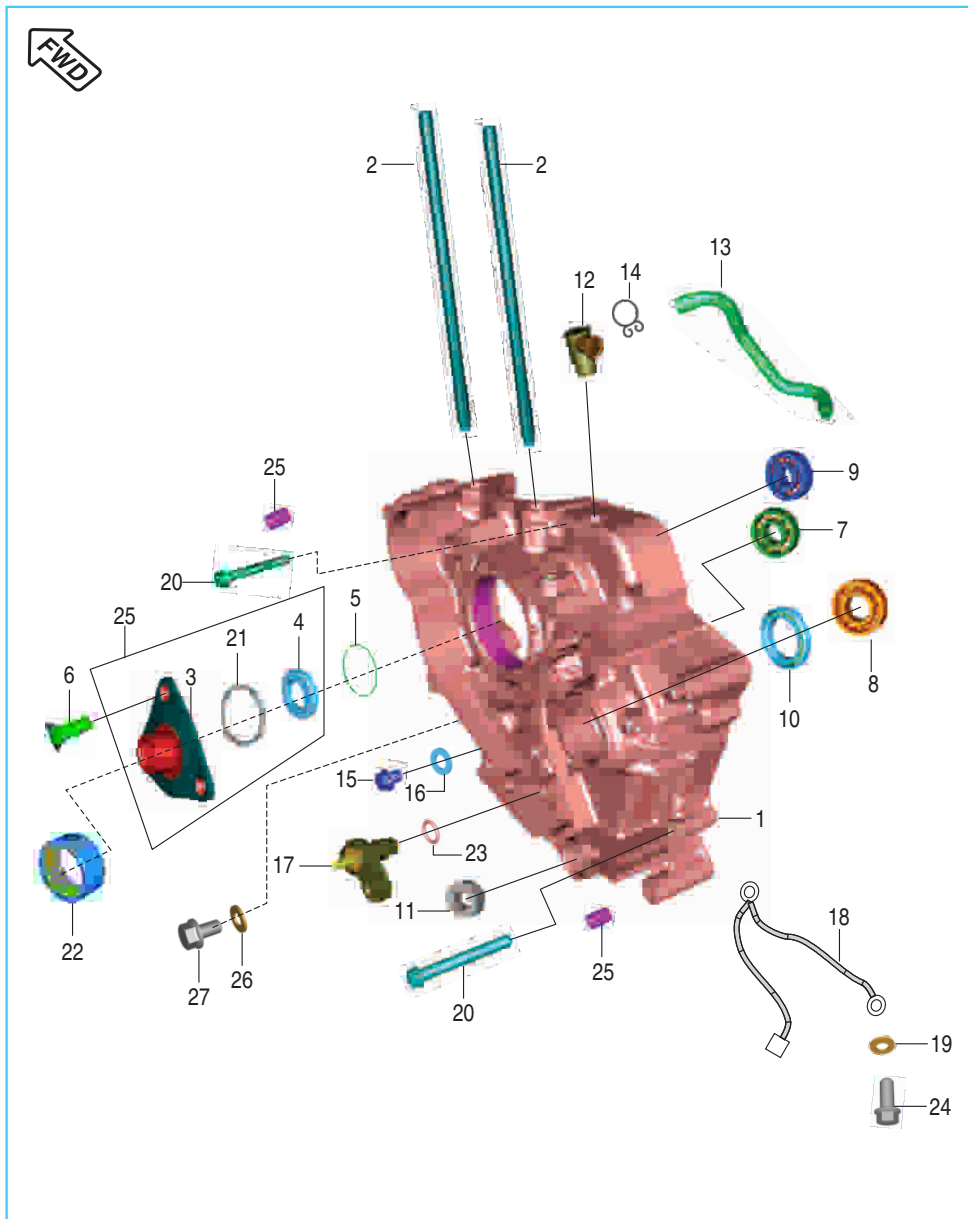
No.	Part No.	Description	Qty.	Remarks
1	DK 1017 22	Lever comp. Gear Shifter	1	
	DK 1017 33	Assembly lever shaft	1	For Half fairing
2	DH 1017 14	Spring Slider Arm Reset	1	
3	DK 1017 22	Spring Gear Shifter Return	1	
4	DK 1011 82	Lever gear shift	1	
5	DH 1015 09	Damper	1	
	DT 5612 05	Damper	1	For Half fairing
6	39 2453 04	Flanged Bolt	1	
	KA DD06 22	Bolt flanged	1	For ABS Model
7	DH 1013 93	Bolt Gear Shift drum Stopper	1	
8	DK 1017 25	Stopper Drum	1	
9	DK 1012 53	Spring Gear Shifter Drum Stopper	1	
10	DH 1013 94	Bolt Shift Change	1	
11	39 1998 19	Oil seal	2	
12	DK 1011 87	Collar	1	
13	DK 1011 80	Assembly tie rod	1	
14	DK 1011 85	Washer pivot	1	
15	DK 1011 86	Pivot bolt	1	
16	DK 1011 83	Assembly lever change arm	1	
	DK 1011 77	Assembly lever change arm	1	For ABS Model
17	39 2383 15	Flange Nut	1	
18	KC BD06 04	Nut hex thin - M6	1	
19	KC AD06 05	Nut hex thick	1	

Engine Assembly & Crankcase RH



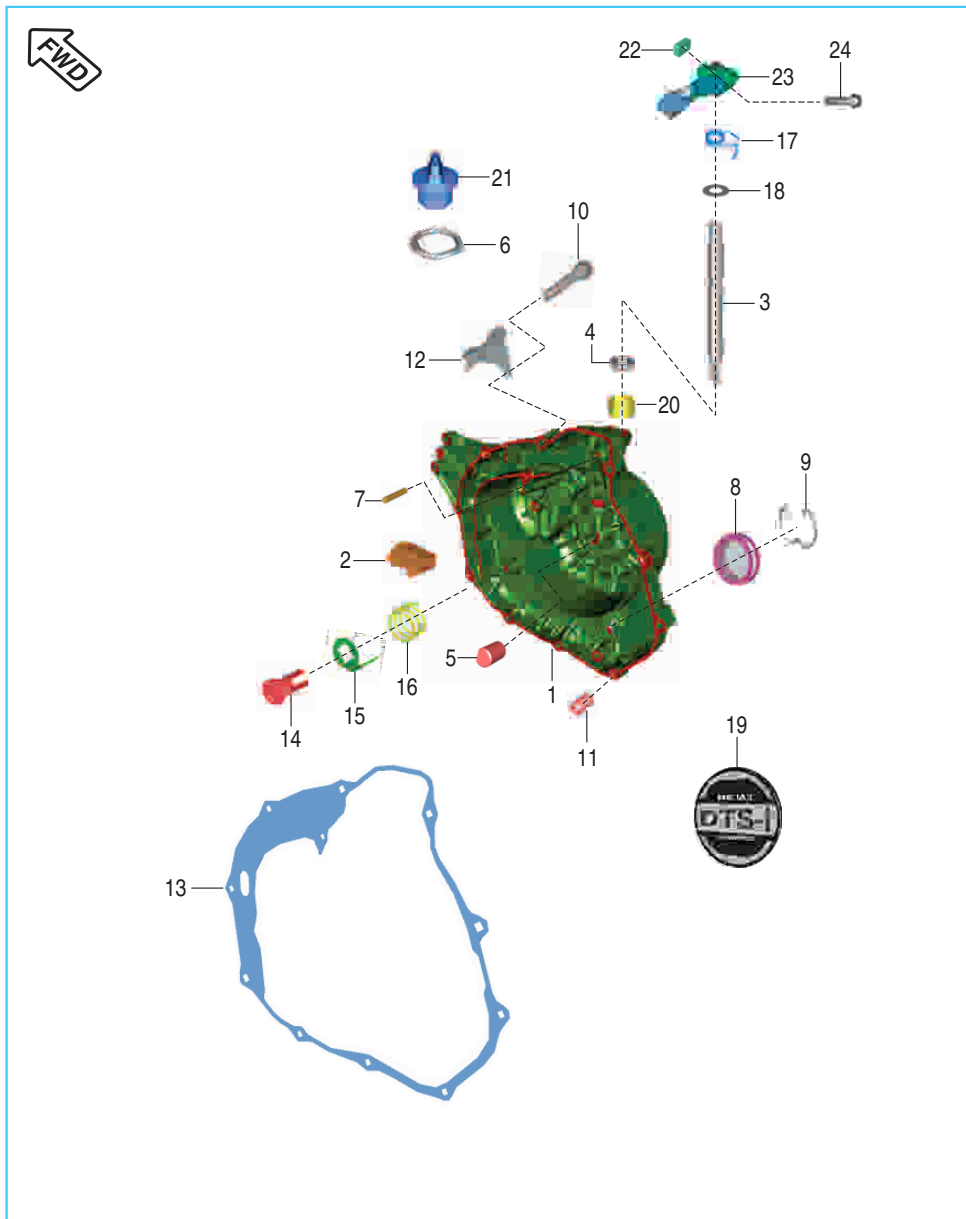
No.	Part No.	Description	Qty.	Remarks
1	DJ 1017 12	Engine Assly Complete	1	N.I.
	DJ 1017 43	Engine assembly	1	For ABS Model
	DJ 1017 77	Engine assembly	1	For Half fairing
2	JC 1010 29	Crankcase RH	1	
	PD 5410 18	Crankcase RH	1	For Half fairing
3	59 0500 08	Stud	2	
4	AA 1014 37	Screw Pre - Coated	1	
	DH 1013 83	Bolt flange - M6	1	For ABS Model
5	DH 1018 96	Gasket Crankcase (K1UG5)	1	
6	39 2583 20	Bearing Ball (For Input Shaft)	1	
	KP AF60 04	Bearing ball ORD clearance & HN3	1	For Half fairing
7	59 2000 27	Bearing Ball (For Output shaft)	1	
8	39 2180 06	Dowel Pin	2	
9	39 2601 20	Ball Bearing	1	
10	DH 1014 87	Plate Stopper	1	
11	39 1845 04	Flange Bolt	1	

Crankcase LH



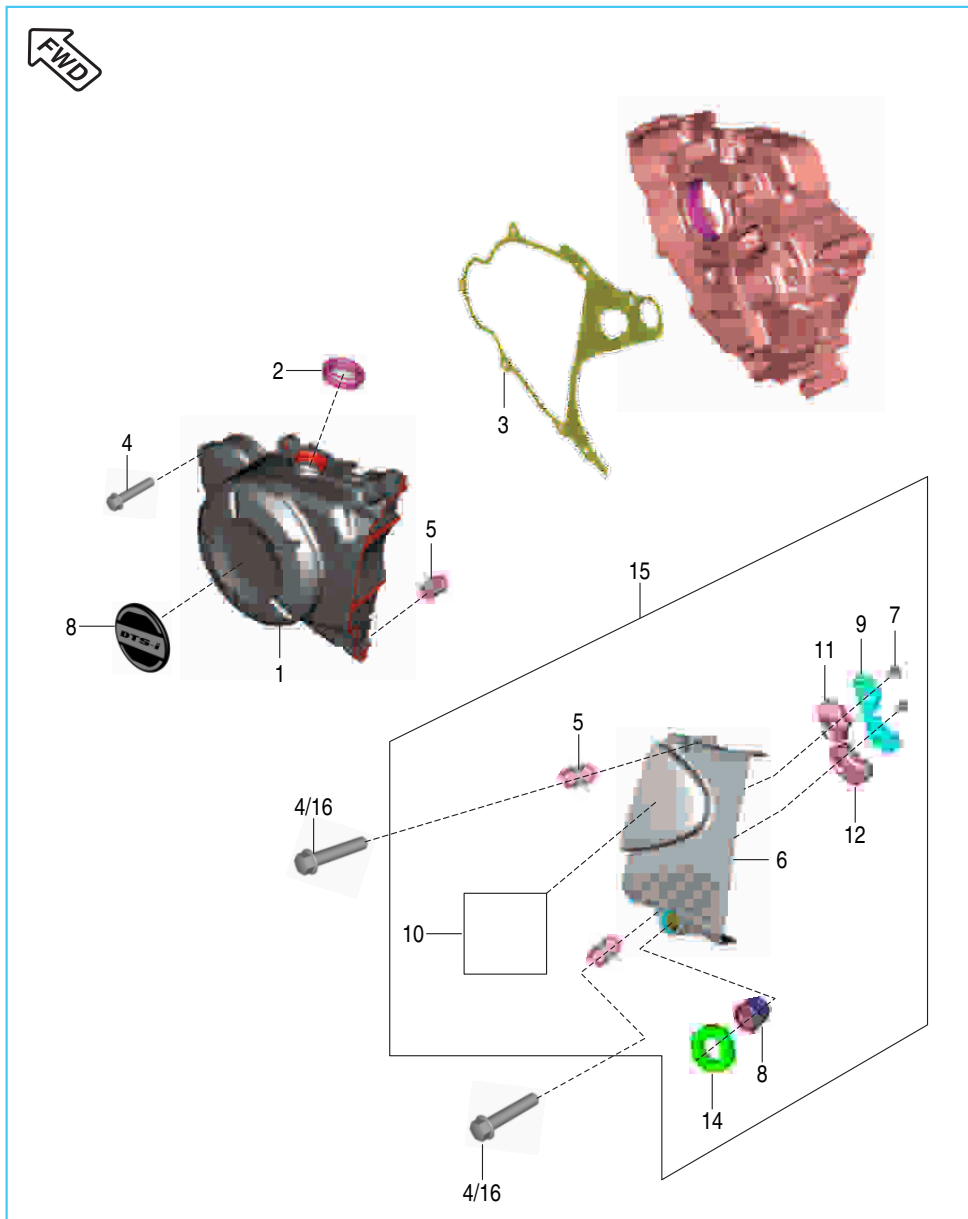
No.	Part No.	Description	Qty.	Remarks
1	JC 1010 45	Crankcase LH	1	
2	59 0500 08	Stud	2	
3	DK 1010 94	Guide Starter Assembly	1	
4	39 2188 19	Oil Seal	1	
5	59 2100 06	O' Ring	1	
6	39 0752 01	C' Sunk Head Screw	3	
	DH 1013 79	Screw CSK M6 x 16	3	For Half fairing
7	39 2603 20	Bearing Ball (for Input Shaft)	1	
8	59 2000 06	Bearing Ball (for Output Shaft)	1	
9	59 2000 28	Balancer LH Bearing	1	
	59 2000 29	Bearing ball	1	For ABS Model
10	DG 1014 56	Oil Seal (For Output Shaft)	1	
11	39 2190 19	Oil Seal (For Shift Lever)	1	
12	DH 1012 03	Breather Pipe	1	
13	DH 1017 18	Rubber Tube	1	
14	DS 1012 34	Spring Clip	1	
15	DH 1016 61	Plug Drain Bolt	1	
	DU 1012 23	Plug drain magnetic	1	For Half fairing
16	31 1011 06	Gasket (For Drain Bolt)	1	
	DG 1014 98	Gasket	1	For Half fairing
17	DK 1013 80	Neutral Switch Complete	1	
18	DJ 2011 40	Cable Assembly (Battery To Earth)	1	
19	39 1940 04	Plain Washer	1	
20	39 1677 04	Bolt	8	
	KA ED06 45	Bolt flanged small	8	For Half fairing
21	DK 1010 97	Damper	1	
22	59 2000 07	Needle Roller Bearing (30*37*16)	1	
23	KJ AB10 19	O Ring	1	
24	39 2181 06	Hollow Dowel Pin	2	
25	DK 1018 86	Guide assembly gear starter	1	For Half fairing
26	39 2448 11	Plain washer	1	For Half fairing
27	KA DD08 14	Bolt flanged	1	For Half fairing
28	DH 1013 90	Bolt flanged - M8	1	For ABS Model

Cover Clutch



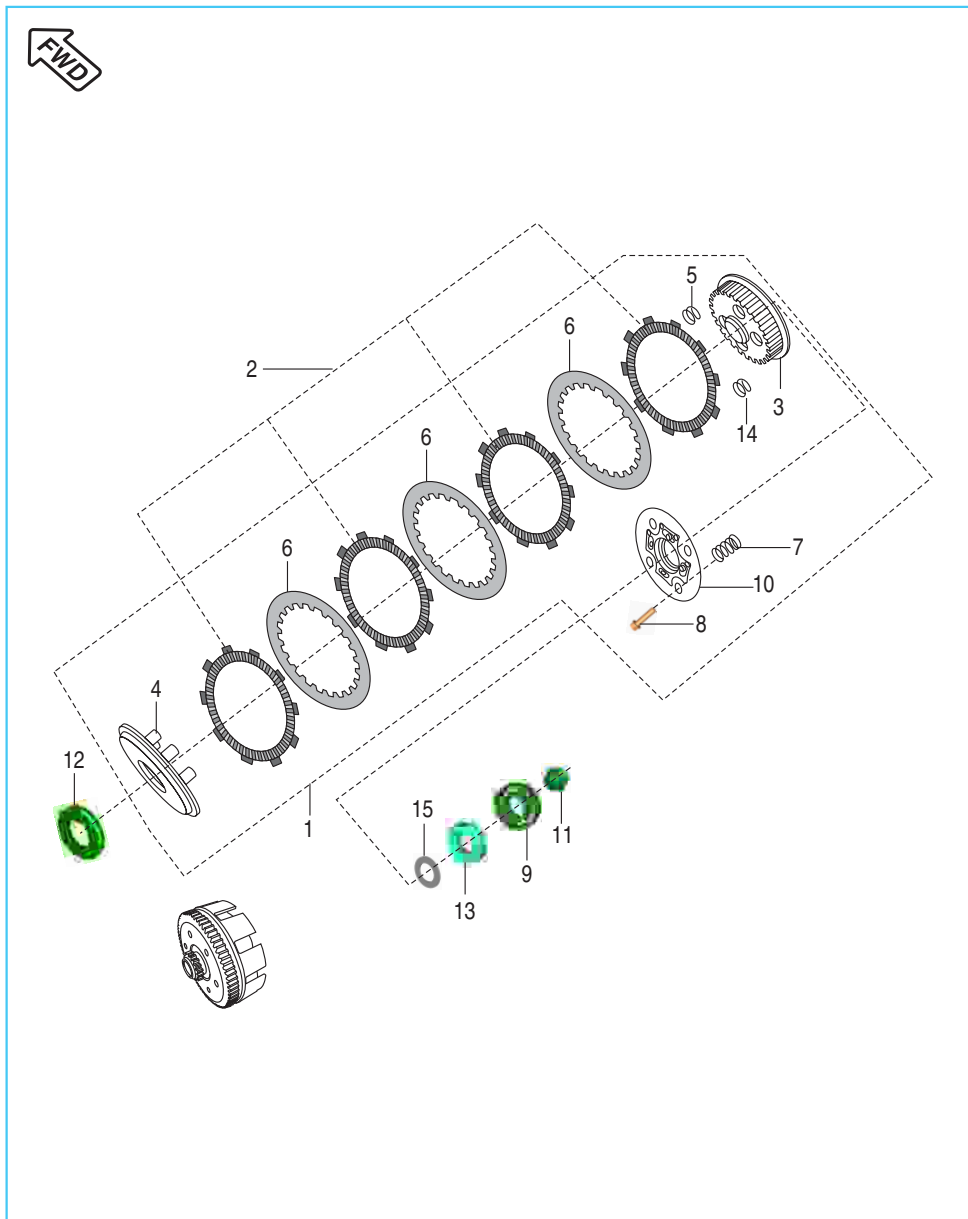
No.	Part No.	Description	Qty.	Remarks
1	36 DJ40 82	Kit Assembly Cyl. Cover Slate Gray	1	
2	DH 1011 97	Grommet Breather	1	
3	DH 1011 42	Shaft Clutch Release	1	
4	39 1041 19	Seal Clutch Lever	1	
5	DH 1011 41	Rack	1	
6	DH 1011 52	'O' Ring	1	
7	DK 1012 51	Parallel Pin	1	
8	DG 1014 18	Gauge	1	
9	DS 1012 15	Clip Wire	1	
	DH 1021 17	Wire clip	1	For ABS Model
10	DS 1013 53	Bolt	10	
	LA E000 18	Bolt flanged - M6 x 1 x 30L	12	For Half fairing
11	39 0999 06	Pin Dowel	2	
12	DH 1010 18	Bracket Clutch Cable	1	
	PD 5412 80	Bracket cable clutch	1	For Half fairing
13	DH 1011 54	Gasket Cover RH	1	
14	DK 1014 80	Plunger Oil	1	
15	DH 1210 11	Plate Plunger Oil	1	
16	DH 1210 12	Spring Joint 'A'	1	
17	DH 1015 44	Spring Torsion Clutch Lever	1	
18	39 2443 11	Washer	1	
	JE 5412 13	Washer plain	1	For Half fairing
19	DK 1017 38	Decal DTS-I	1	
20	39 1990 20	Bearing Needle	1	
21	DS 1010 71	Cap Oil Filler	1	
22	DH 1012 75	Special Nut	1	
23	DK 1016 36	Lever Assembly Clutch	1	
	PD 5412 79	Lever assembly clutch	1	For Half fairing
24	39 1674 04	Flange bolt	1	
	KA ED06 25	Bolt flanged small	1	For Half fairing

Cover Magneto



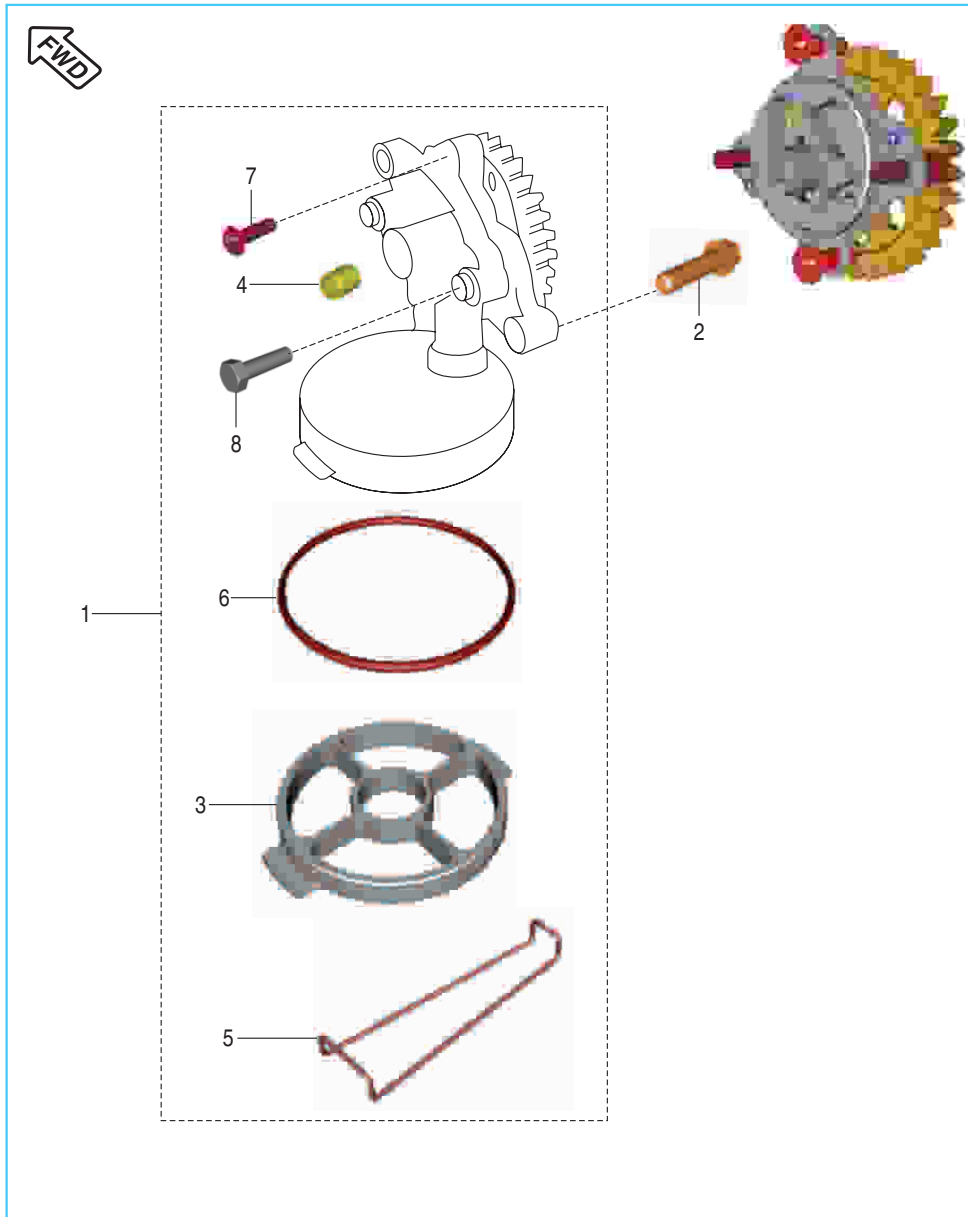
No.	Part No.	Description	Qty.	Remarks
1	52 DH13 17	Cover LH (Magneto) Slate Gray	1	
	52 DK06 91	Cover LH (Magneto)	1	For Half Fairing
2	DG 1014 18	Gauge	1	
3	DV 1010 42	Gasket Magneto Cover	1	
4	DS 1013 53	Bolt	7	
	LA E000 18	Bolt flanged small	5	For Half fairing
5	39 0999 06	Pin Dowel	4	
6	56 DJ3Z 1Y	Cover LH RR	1	
7	DH 1013 88	Flanged Bolt	2	
8	JE 5412 12	Decal DTS-I	1	
9	DH 1012 93	Plate Damper Cover LH RR	1	
10	DJ 1612 28	Gear Shift Label (Sticker)	1	
11	DH 1012 92	Damper A Cover LH RR	1	
12	DH 1012 94	Damper B Cover LH RR	1	
13	AP 1010 43	Bearing Needle Bendix	1	
14	DH 1021 66	Seal dust	1	
15	DJ 1017 35	Cover assembly rear LH	1	For ABS Model
16	KA ED06 35	Bolt flanged small	2	For Half fairing

Clutch Assembly



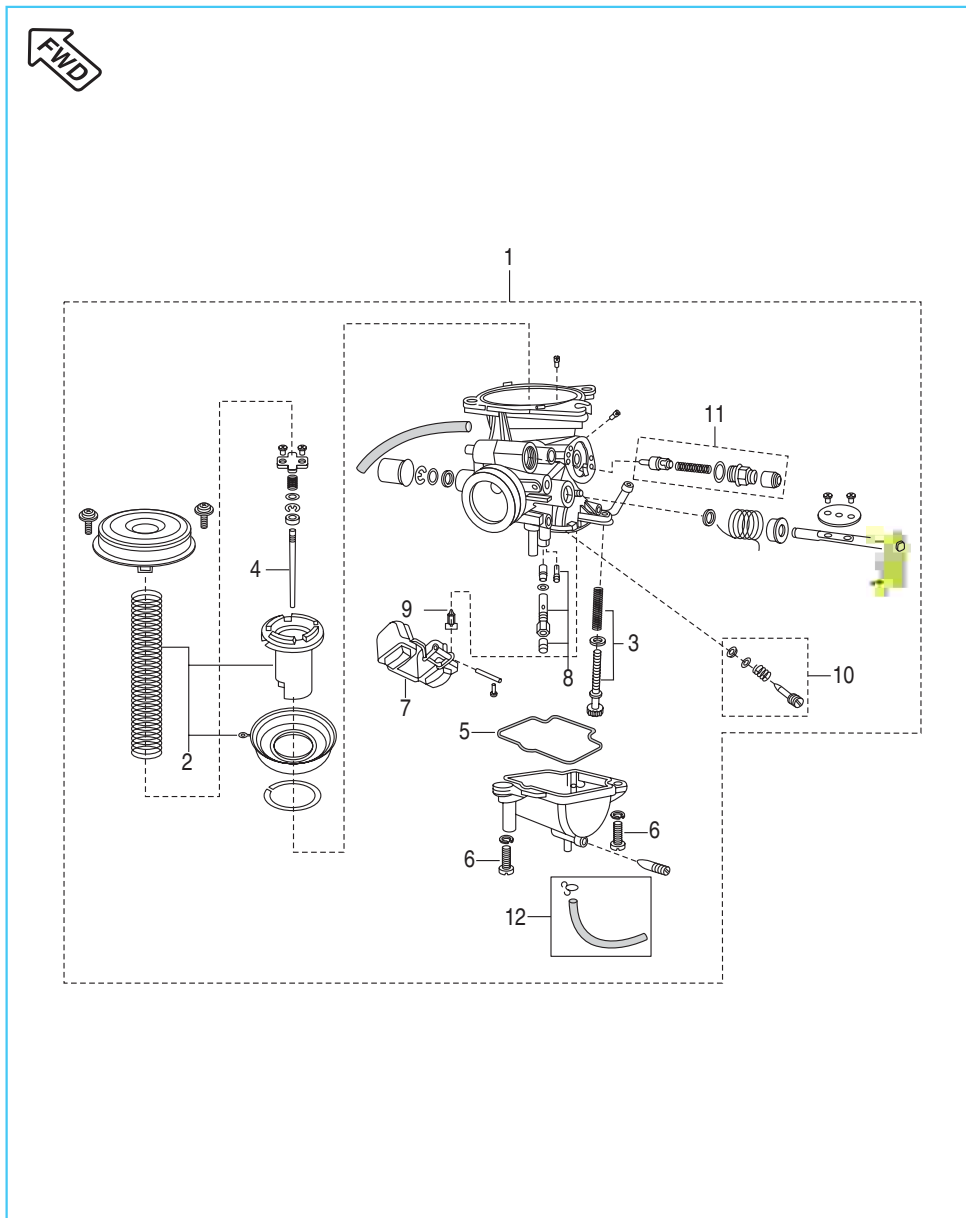
No.	Part No.	Description	Qty.	Remarks
1	DJ 1013 50	Clutch Assembly Complete	1	
2	36 PD00 30	Friction Plate Kit	1	
	PD 5514 19	Disk C friction clutch	1	For Half fairing
3	DK 1015 64	Clutch Center	1	
	PD 5514 21	Clutch center	1	For Half fairing
4	DK 1015 69	Plate clutch Pressure	1	
5	DK 1015 71	Spring Judder	1	
6	DK 1015 65	Plate Clutch	4	
	PD 5514 39	Plate clutch pressure planished	5	For Half fairing
7	PD 5514 27	Spring Clutch	5	
8	DK 1015 74	Bolt	5	
9	39 2617 20	Bearing Clutch Lifter Thrust	1	
10	DK 1015 73	Plate clutch lifter	1	
11	DK 1010 72	Rod Clutch Lifter	1	
12	DK 1011 26	Spacer Clutch	1	
13	DH 1016 48	Nut Primary Drive Lock	1	LH Thread
14	DK 1015 70	Seat Judder Spring	1	
15	39 2200 11	Washer Primary Drive Gear	1	

Oil Pump Assembly



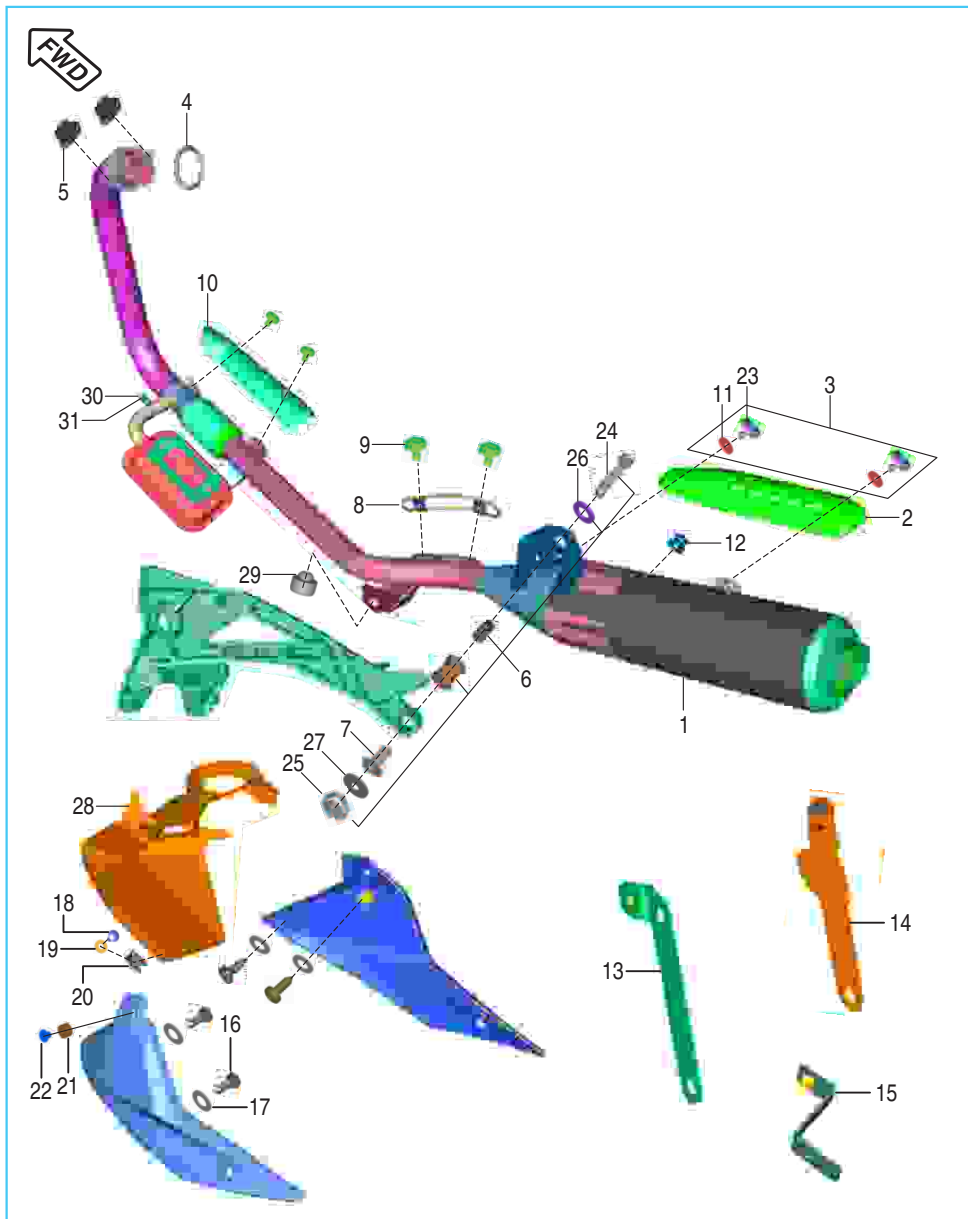
No.	Part No.	Description	Qty.	Remarks
1	52 DH01 69	Oil Pump Assembly	1	
2	39 1674 04	Hex. Bolt With Flange	3	
	KA ED06 25	Bolt flanged small	3	For Half fairing
3	DH 1210 10	Mesh Filter Oil Pump	1	
4	39 1686 06	Hollow Dowel Pin	1	
5	DH 1210 35	Clip Mesh Oil Filter	1	
6	39 2194 21	'O' Ring	1	
7	KB CA04 16	Screw CSK cross	2	
8	KA AD05 20	Bolt	2	

Carburettor Assembly



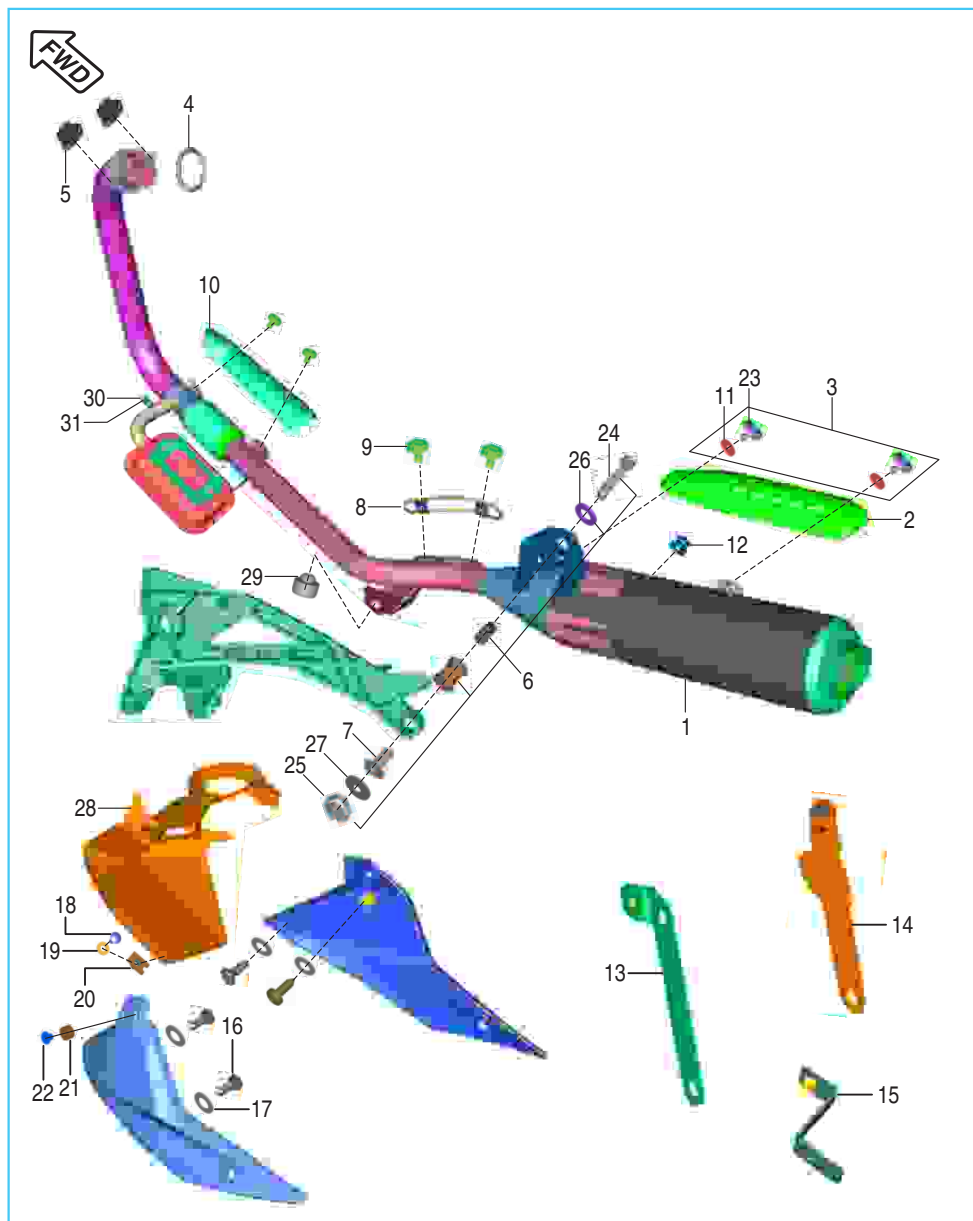
No.	Part No.	Description	Qty.	Remarks
1	DJ 1210 91	Carburettor Assembly	1	
2	DH 1211 71	Vacuum Piston Kit	1	
3	DH 1211 68	Idling Screw Kit	1	
4	DJ 1210 44	Jet Needle (JN)	1	
5	DJ 1210 53	"O" Ring	1	
6	DJ 1210 54	Screw	2	
7	DJ 1210 55	Float Assembly	1	
	DH 1211 62	Float assembly (K1UG4.5) (N500286)	1	For ABS Model
8	DJ 1210 56	Jet Holder Kit	1	
9	DJ 1210 57	Needle Assembly	1	
	DH 1210 93	Needle Assembly	1	For ABS Model
10	DH 1211 69	Set Adjuster (PS)	1	
11	DJ 1210 59	Set Plunger Assembly	1	
12	DH 1211 34	Pipe drain + clamp	1	For Half fairing

Silencer Assembly & Belly Pan



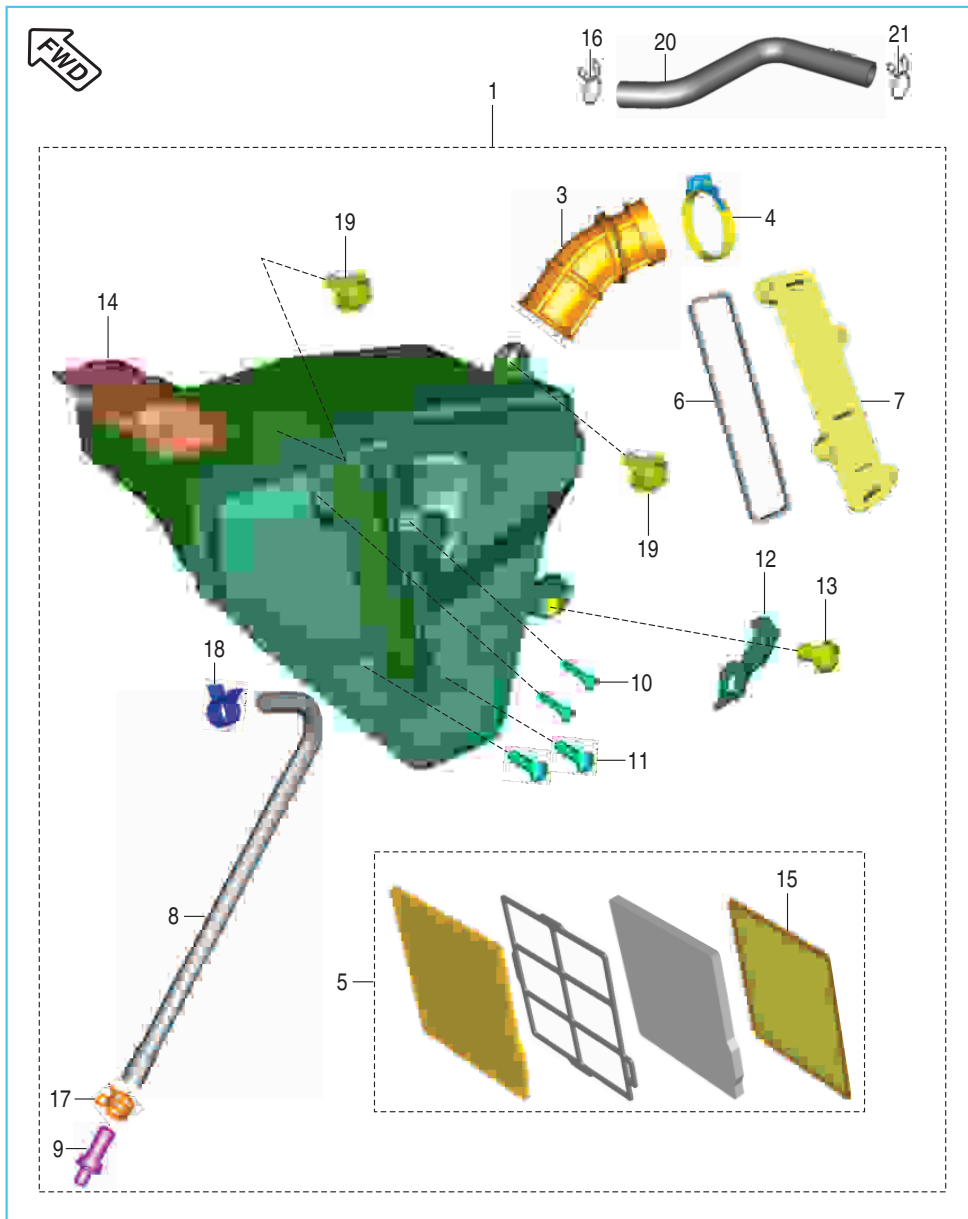
No.	Part No.	Description	Qty.	Remarks
1	YD J080 01	Kit Assembly Silencer W/O Shield	1	
	DJ 1017 45	Silencer assembly	1	For Half fairing
2	DH 1022 72	Shield Silencer	1	
	DH 1023 49	Shield muffler	1	For Half fairing
3	36 DH40 11	Kit Hardware Shield	1	Ref Kit List
4	DJ 1010 64	Gasket Exhaust	1	
5	39 1970 15	Hex Nut / Flange M8	2	
6	36 DK00 09	Kit Hardware Silencer	1	Ref Kit List
7	DJ 1612 78	Tube Silencer With Washer	1	
8	DH 1022 63	Wire Shield Assembly	1	
	DH 1023 51	Shield wire	1	For Half fairing
9	DH 1016 07	Truss Screw	4	
10	DH 1016 08	Silencer front (Cat) Shield	2	
11	JB 5910 68	Washer Nylon Shield Silencer	2	
12	JB 5910 59	Damper Shield Muffler Disco - M	1	
13	DK 1614 43	Bracket belly pan front LH	1	
14	DK 1614 44	Bracket belly pan front RH	1	
15	DK 1614 47	Bracket belly pan rear RH	1	
16	KB RA42 13	Screw tapping pan cross	4	
17	KD AE04 08	Washer plain small	4	
18	KB UA05 12	Screw truss	1	
19	KD BA05 12	Washer plain	1	
20	DJ 1612 29	Clip nut M5	1	

Silencer Assembly & Belly Pan



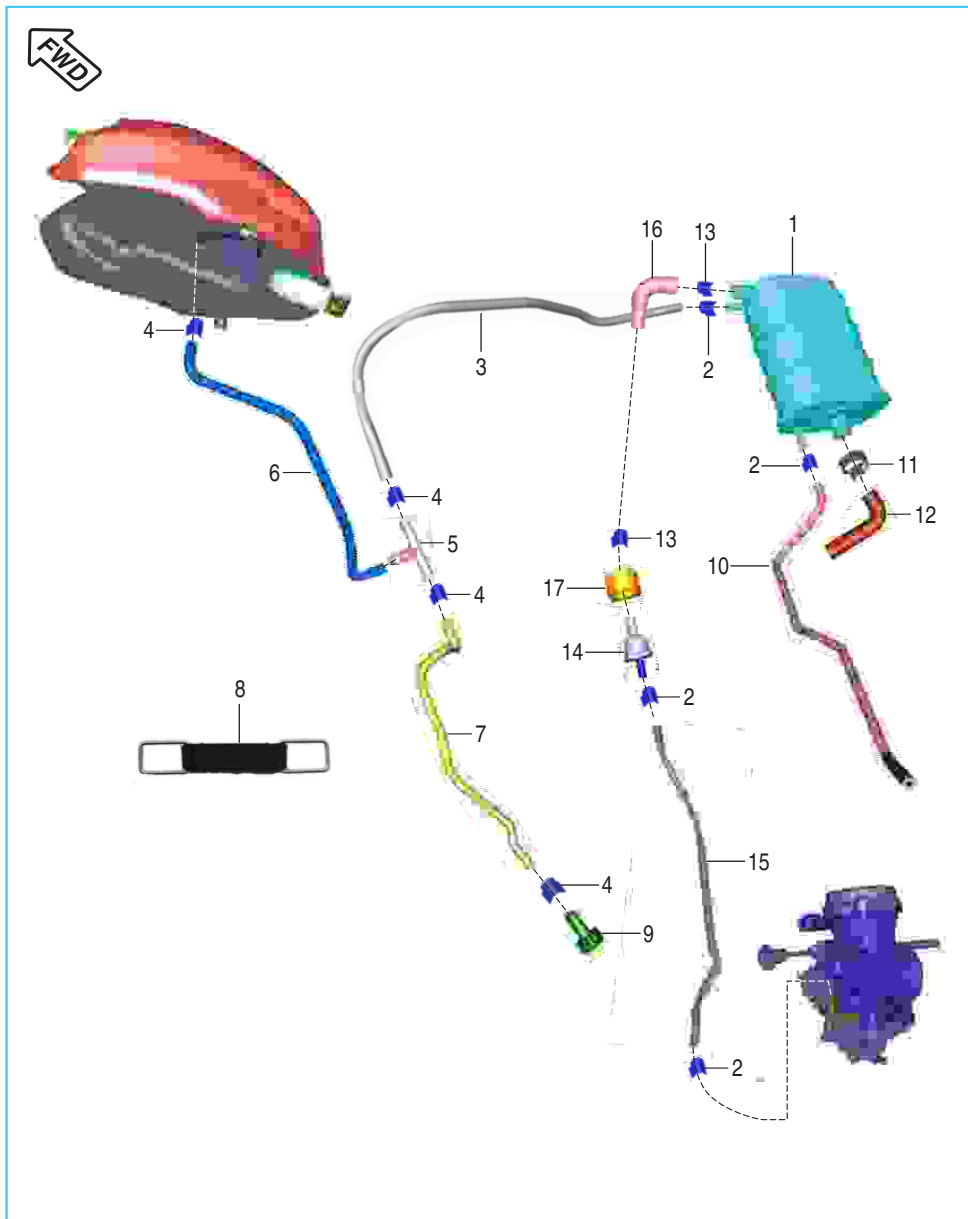
No.	Part No.	Description	Qty.	Remarks
21	DP 1810 41	Damper	4	
22	DP 1810 40	Collar	4	
23	JW 5910 28	Truss screw M5 x 0.8	2	For Half fairing
24	DK 1013 14	Bolt socket head M10	1	For ABS Model
25	DD 1610 71	U - Nut M10	1	For ABS Model
26	KD BA10 22	Washer plain	1	For Half fairing
27	39 2425 11	Plain washer	1	For Half fairing
28	DJ 1614 40	Belly pan middle	1	For Half fairing
29	DG 1611 24	Damper	1	
30	KA DC05 10	Bolt flanged	1	
31	39 2492 11	Plain washer	1	

Air Cleaner Assembly



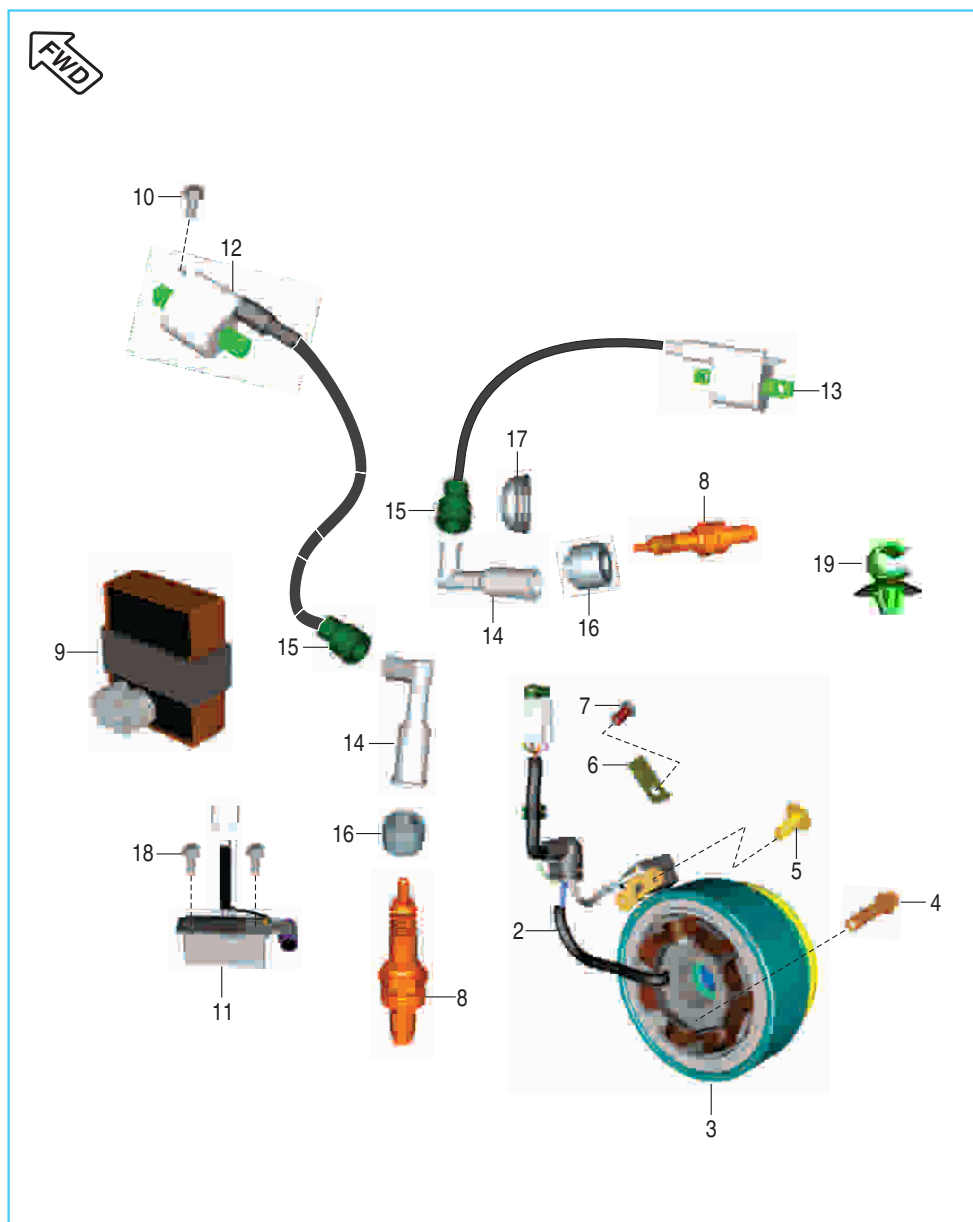
No.	Part No.	Description	Qty.	Remarks
1	DJ 1210 87	Air Cleaner Complete	1	
2	36 DH40 10	Kit Hardware Air Cleaner	1	Ref Page No. 101
3	DJ 1210 81	Connecting Tube	1	
4	DH 1211 90	Clamp	1	
5	DK 1210 09	Air filter element	1	
6	DK 1210 15	'O' ring Air Filter Cover	1	
7	DK 1210 07	Filter Air Element Cover	1	
8	DS 1211 17	Drain Tube	1	
9	DS 1211 26	Plug	1	
10	KB BA05 25	Screw Pan Cross	2	
11	KB BA05 16	Screw Pan Cross	2	
12	DH 1614 16	Bracket Lock	1	
13	39 1780 01	Screw Pan - M5	1	
	KB BA05 08	Screw pan cross	1	For Half fairing
14	DS 1211 16	Duct	1	
15	DH 1022 74	Flame Arrester Complete	1	
16	28 1011 74	Spring clip	2	For Half fairing
17	DG 1210 02	Clamp (Hose C'case Breather)	1	
18	AA 1410 48	Spring Band Clip 10 MM	1	
19	DS 1612 24	Bolt - stepped with flange	3	
20	DH 1017 19	Rubber tube (for breather)	1	For Half fairing

EVAP Mechanism



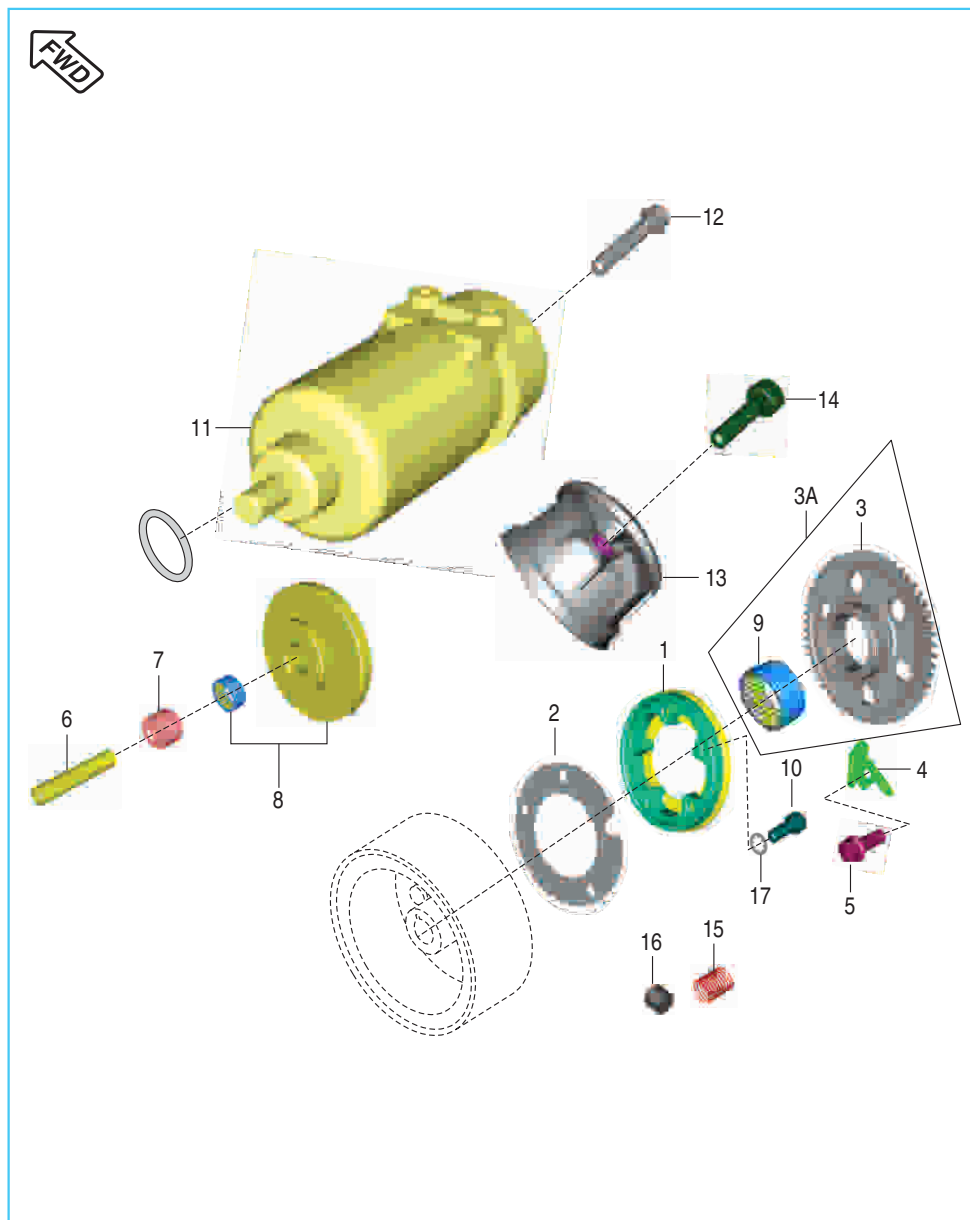
No.	Part No.	Description	Qty.	Remarks
1	JY 1710 77	Canister	1	
2	JY 1710 70	Spring Band Clamp 9 x 8.4	5	
	JL 1711 01	Clamp band spring 9.5 x 8.4	2	For Half fairing
3	DJ 1410 73	Tube T Connector To Canister	1	
4	JG 1710 29	Spring Band Clamp 11.5 X 8.4	5	
5	GL 1710 36	Connector For Breather And Vapor Tube	1	
6	DJ 1410 72	Tube Tank To T Connector	1	
7	DJ 1410 74	Tube Condensate Fuel Drain	1	
8	DH 1614 29	Strap Canister	1	
9	JY 1718 25	Plug Fuel Drain	1	
10	DH 1410 73	Tube Canister Drain	1	
11	JH 1716 02	Clamp - Canister Breather	1	
	DG 1210 40	Clamp	1	For Half fairing
12	DH 1410 74	Tube Canister Breather	1	
13	JY 1710 69	Spring Band Clamp 15 x 10	1	
	JL 1711 02	Clamp band spring 12.5 x 8	1	For Half fairing
14	PD 1716 16	Valve Purge	1	
15	DJ 1410 71	Tube Purge Valve To Carburetor	1	
16	DJ 1410 77	Tube Connector To Purge Valve	1	
17	JH 1710 48	Grommet Purge Valve	1	

Magneto, CDI & H.T. Coil



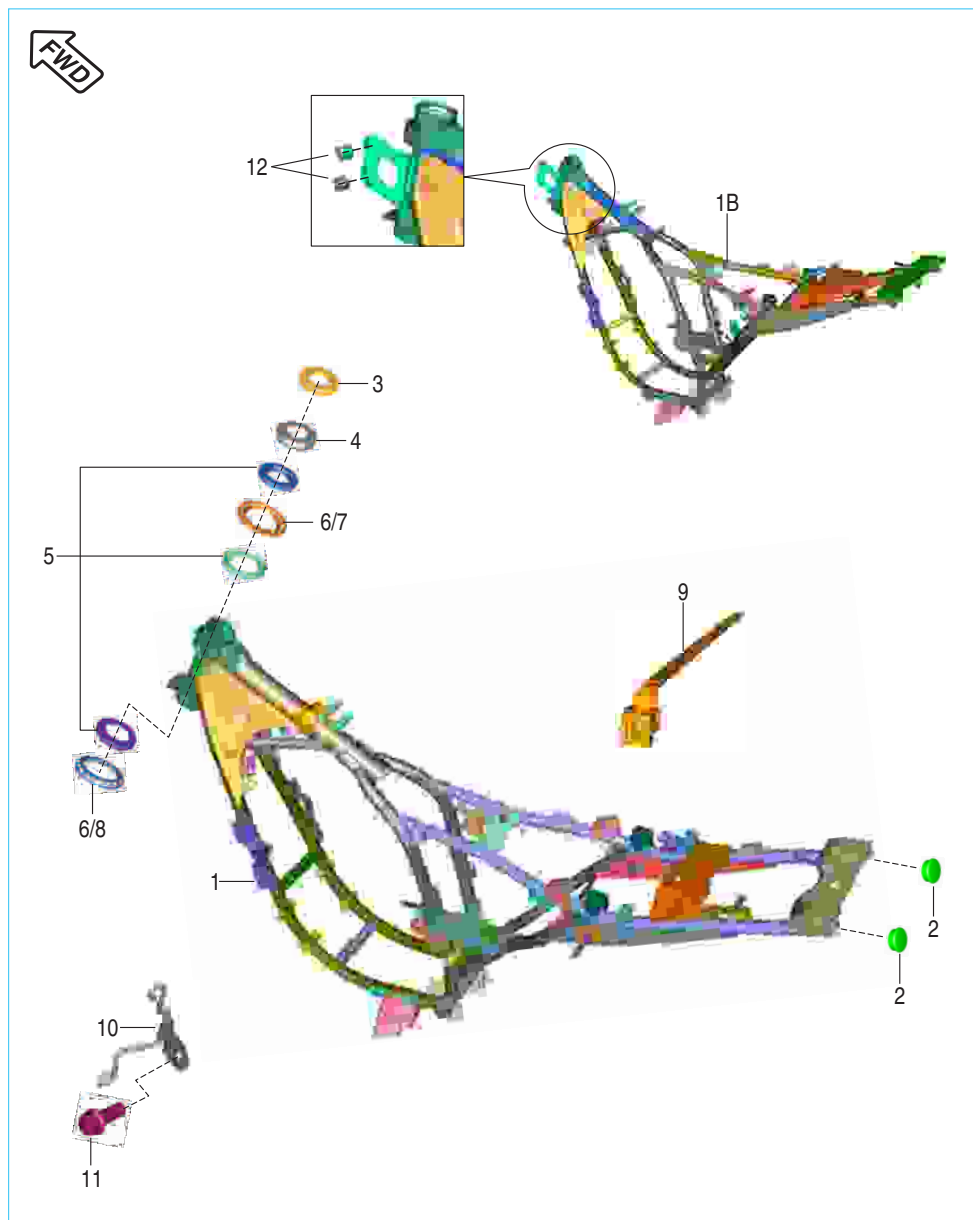
No.	Part No.	Description	Qty.	Remarks
1	59 1000 02	Spring Dowel Sleeve	1	N.I.
2	DH 1110 81	Stator Assembly Complete	1	
	DK 1110 79	Stator assembly	1	For Half fairing
3	DH 1110 82	Rotor Assembly with clutch	1	
	JC 1110 27	Assembly rotor with clutch	1	For Half fairing
	JC 1110 28	Rotor assembly without clutch	1	For Half fairing
4	DH 1013 86	Hex. Bolt With Flange	2	
5	DH 1013 81	Pan Head Screw	2	
6	DH 1011 99	Stopper Plate (Wiring Harness)	1	
	PD 5412 74	Plate stopper	1	For Half fairing
7	DH 1013 80	Screw Pan Head	1	
8	DG 1110 08	Spark Plug	2	
9	DJ 1110 98	CDI Non TPS Assembly K2	1	
10	39 1944 04	Flange Bolt	4	
11	DJ 2012 02	Regulator	1	
	DK 2011 60	Regulator assly with RPM sensor	1	For Half fairing
12	JC 1110 22	H.T. Coil LH With Cable	1	
13	JC 1110 23	H.T. Coil RH With Cable	1	
14	DH 1110 15	Cap Spark Plug	2	
15	DD 1110 12	Grommet H.T. Cable	2	
16	DH 1110 13	Grommet Spark Plug	2	
17	DH 1110 16	Grommet Sleeve Spark Plug	1	
18	39 1944 04	Flange Bolt	2	
	KA DT06 16	Bolt flanged - M6 x 1 x L16	2	
	KA ED06 25	Bolt flanged small	2	For Half fairing
19	AA 1111 41	Clip H.T. Cable holding	1	For Half fairing

Starter Assembly



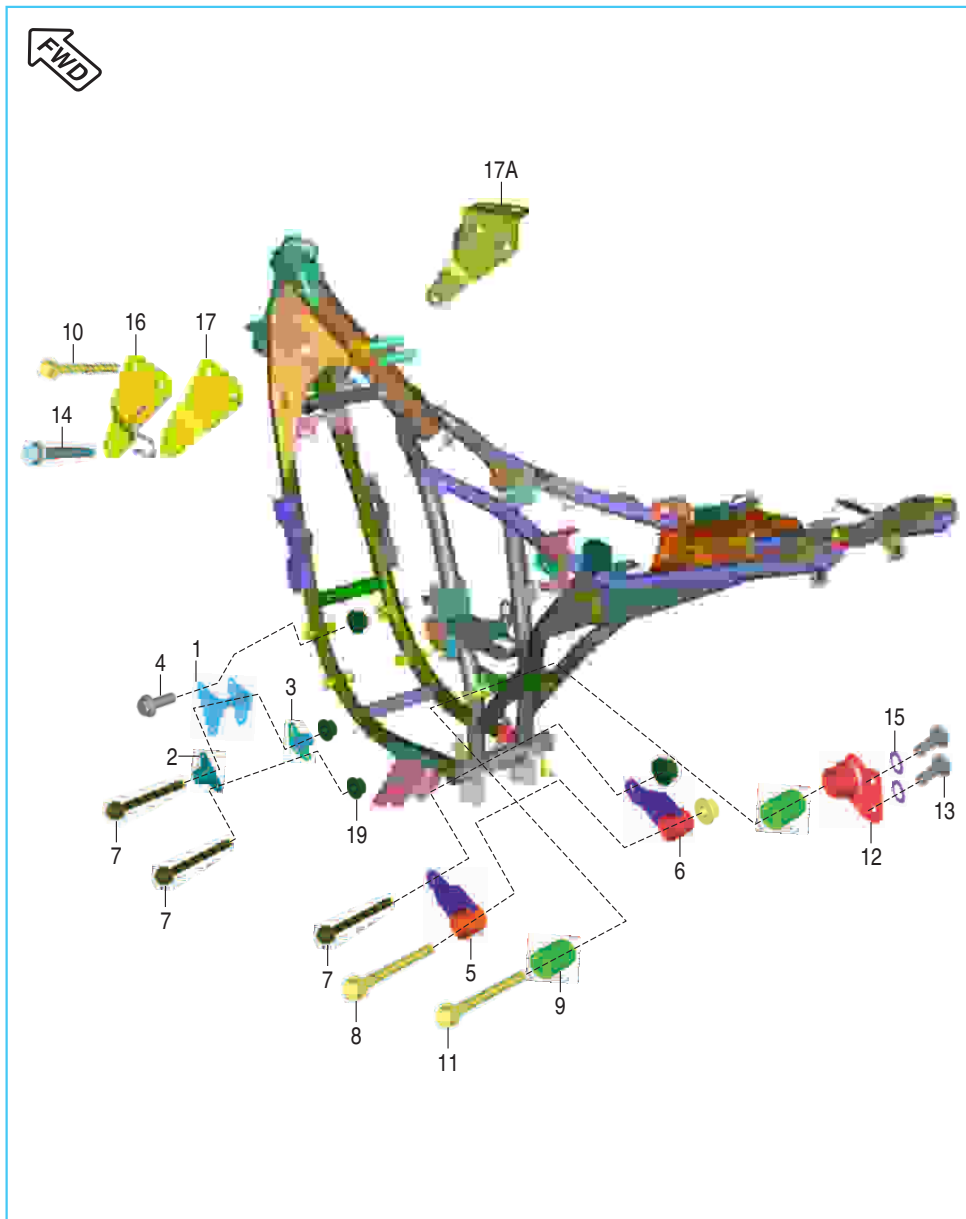
No.	Part No.	Description	Qty.	Remarks
1	DK 1015 95	Body Complete Starter Clutch	1	
2	DK 1016 05	Plate Roller Clutch	1	
3	JC 1011 12	Gear Starter Clutch (55T)	1	
3A	JC 1011 14	Assembly gear starter clutch (55T)	1	For ABS Model
4	DH 1015 81	Plate Starter Clutch Gear Return	1	
5	DH 1013 85	Bolt	1	For Stopper Plate
6	DK 1011 76	Shaft Starter Counter	1	
7	DH 1011 72	Collar Starter Counter	1	
8	JC 1011 15	Gear Complete Starter Counter Assembly	1	
	JC 1011 45	Assembly gear st counter (14T)	1	For Half fairing
9	59 2000 07	Needle Roller Bearing	1	
10	39 0972 04	Bolt Socket M6	3	
11	DH 1110 84	Motor Assembly Starter Clutch	1	
	DH 1111 14	Starter Motor Assembly - 325 W	1	For Half fairing
12	DS 1013 53	Bolt	2	
	LA E000 18	Bolt flanged - M6 x 1 x 30L	2	For Half fairing
13	56 DJ4E 1Y	Cover Starter Motor	1	
14	DH 1013 89	Slotted C' Sunk Screw	1	
	39 2285 01	Countersunk head screw	1	For Half fairing
15	DK 1015 96	Spring	5	
16	DH 1011 63	Roller	5	
17	39 0849 14	Washer - lock toothed	3	For ABS Model
	LD F000 01	Washer toothed - ID 6.4 x OD 11 x T 0.7	3	For Half fairing

Frame and Frame Fittings



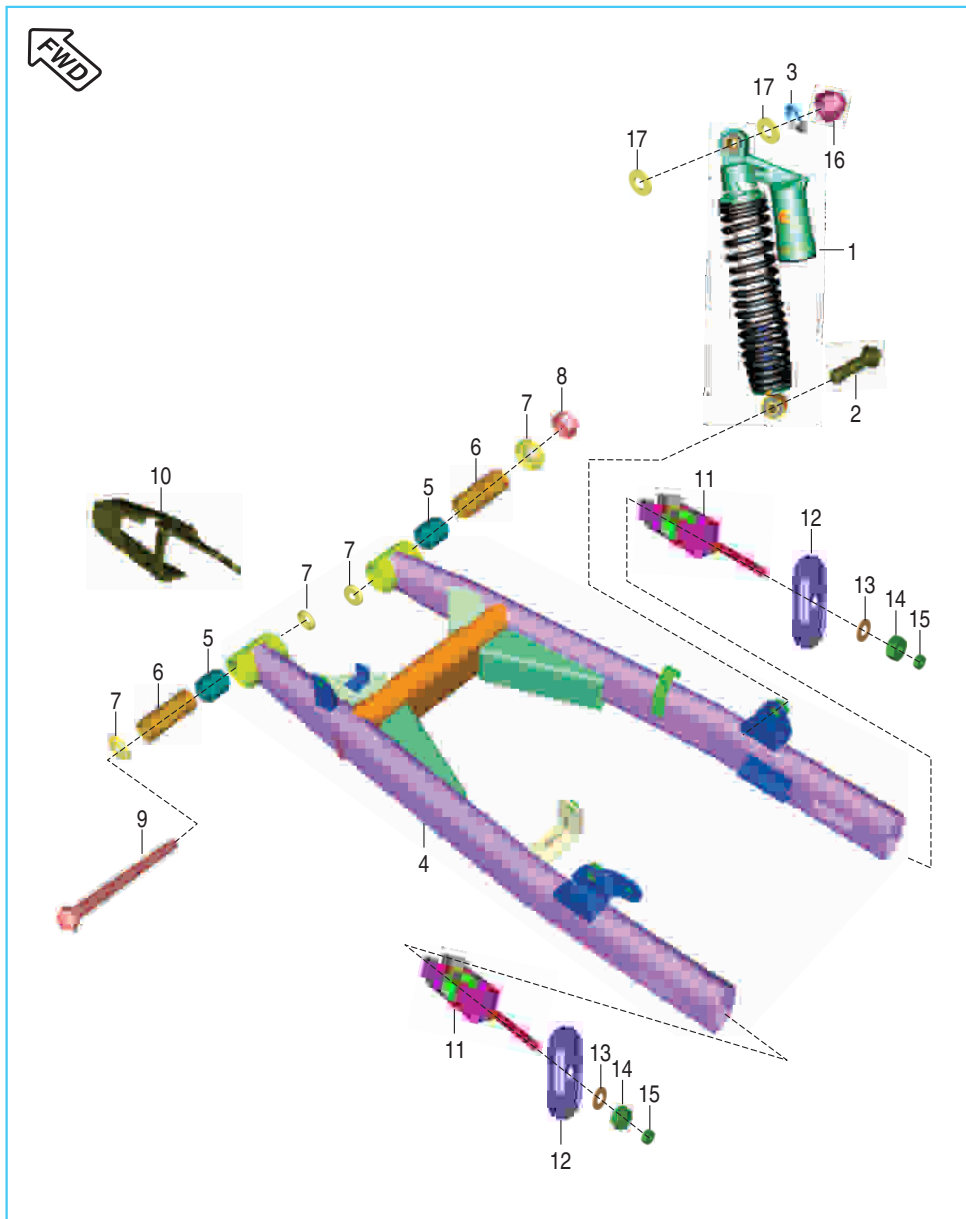
No.	Part No.	Description	Qty.	Remarks
1	DJ 1614 00	Frame Assembly Complete	1	
1A	DJ 1614 47	Frame assembly	1	For ABS Model
2	DH 1611 12	Cup Rear	2	
3	DK 1810 75	Nut	1	
4	PD 1510 06	Cap Steering	1	
	DK 1810 76	Cup steering	1	For Half fairing
5	36 JG00 11	Bearing Cone Kit	1	Refer Kit List
6	KM AA08 00	Ball Steel	39	
7	DK 1810 50	Cage steering bearing top	1	
8	DK 1810 51	Cage steering bearing bottom	1	
9	JL 1138 41	Clamp tie cable	1	For Half fairing
10	DJ 1614 41	Bracket assembly harness	1	For ABS Model
11	KA DA06 10	Bolt flanged	1	For ABS Model
12	CB 1010 82	Bush RR cushion	1	For ABS Model

Engine Mountings



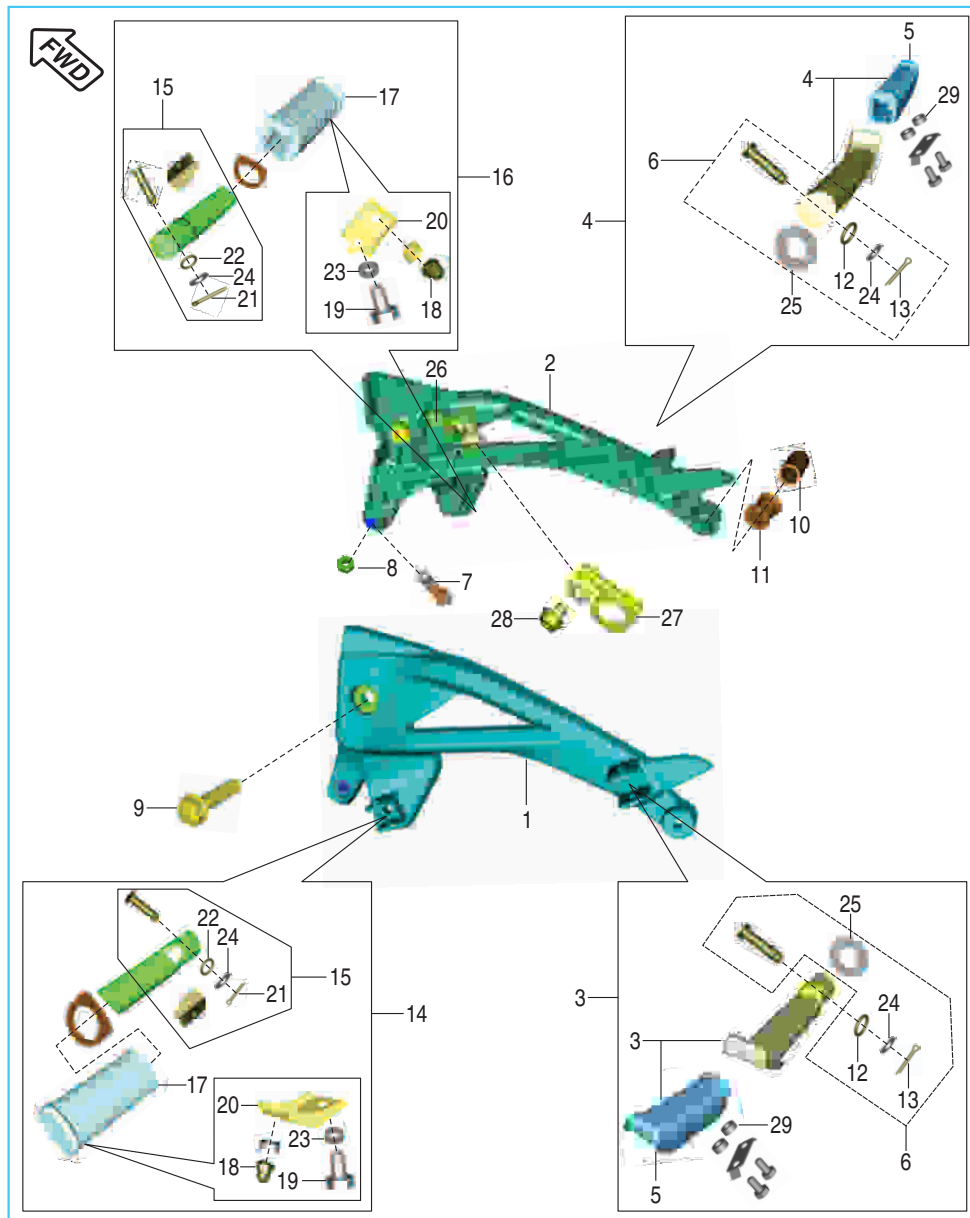
No.	Part No.	Description	Qty.	Remarks
1	DK 1610 96	Bracket Assembly Engine Mounting Front	2	
2	DH 1611 89	Bracket Complete LH Engine Mounting Frt.	1	
3	DH 1611 90	Bracket Complete RH Engine Mounting Frt.	1	
4	39 2312 04	Hex Hd Bolt / Flange - M8	4	
	KA DD08 65	Bolt flanged	4	For Half fairing
5	DJ 1611 14	Bracket Complete LH Engine Mtg. Lower	1	
6	DJ 1611 15	Bracket Complete RH Engine Mtg. Lower	1	
7	39 2157 04	Bolt Flanged	3	
	KA DF08 55	Bolt Flanged	3	For ABS Model
8	39 2412 04	Bolt Flanged	1	Alt. 39 2311 04
	KA DD08 60	Bolt Flanged	1	For Half fairing
9	DH 1611 61	Bush In Frame	1	
10	39 1967 04	Bolt	2	
	39 1664 04	Bolt hexagon M8	2	For Half fairing
11	59 0400 41	Hex Hd Bolt / Flange - M8 x 180L	1	
	59 0400 43	Hex socket head cap bolt - M8 x 150L	1	For ABS Model
12	DK 1611 61	Bracket Complete RH Engine Rear	1	
13	39 2310 04	Flanged Bolt	2	
	KA DF08 25	Bolt flanged	2	For ABS Model
	KA DD08 25	Bolt flanged	2	For Half fairing
14	59 0400 17	Hex Hd Bolt Flanged - M8	1	
	KA DD08 A0	Bolt flanged - M8	1	For ABS Model
15	39 1040 11	Washer	1	
16	DK 1614 15	Assembly Engine Mounting Bracket Top LH	1	
17	DK 1614 16	Assembly Engine Mounting Bracket Top RH	1	
	DJ 1614 33	Hanger engine RH	1	For ABS Model
18	DJ 1612 90	Chassis No. Protection Tape	1	
19	DH 1612 45	U Nut M8 x 1.25	3	For ABS Model
20	59 0400 42	Bolt flange for K3 Eng Mtg.	2	For Half fairing

Swing Arm & Rear Shock Absorber



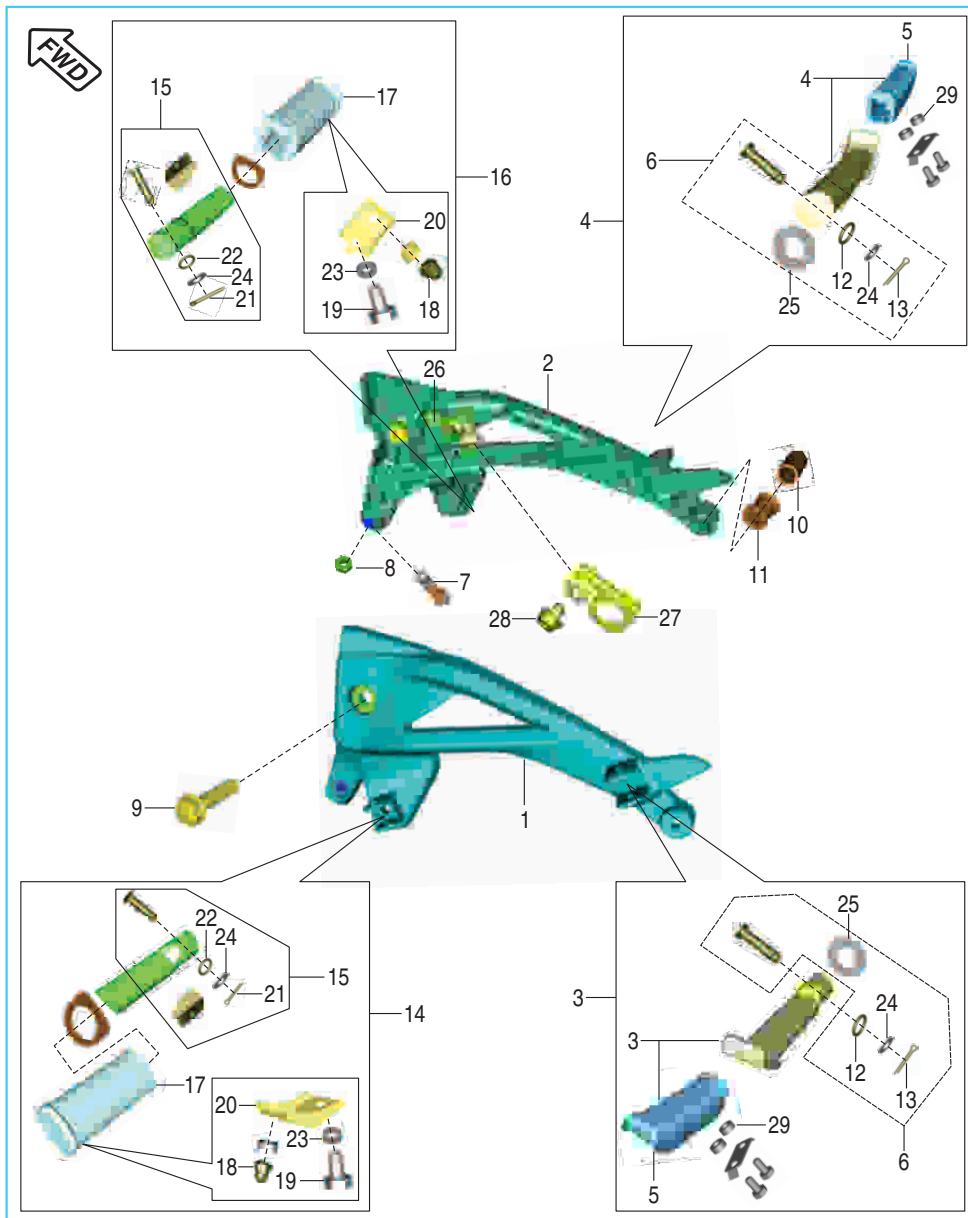
No.	Part No.	Description	Qty.	Remarks
1	DK 1710 14	Rear Shock Absorber	2	
2	DG 1710 38	Bolt Pre-coated	2	
3	39 1829 12	Spring Washer	2	
	KD DB10 18	Washer spring thin	2	For Half fairing
4	DK 1710 11	Swing Arm Assembly	1	
5	DG 1710 18	Swing Arm Bearing	2	
6	DK 1710 06	Collar Swing Arm	2	
7	DG 1710 19	Oil Seal Swing Arm	4	
8	DH 1710 19	'U' Nut Swing Arm	1	
9	DK 1710 03	Shaft Swing Arm	1	
10	DG 1710 34	Chain Slider	1	
11	DJ 1710 44	Adjuster Chain	2	
12	JM 1710 04	Plate Chain Adjuster	2	
13	39 1224 11	Plain Washer	2	
14	39 1997 15	Hexagon Nut	2	
15	DG 1710 22	Small nut	2	
	KC BC08 05	Nut hex thin - M8 x 1.25	2	For Half fairing
16	39 2366 15	Domed Cap Nut - M12	2	
17	39 0714 11	Washer Plain	4	
	DG 1710 25	Washer (Top - 2 RH & 1 LH)	3	For Half fairing

Rider, Pillion Foot Rest & Step Holder



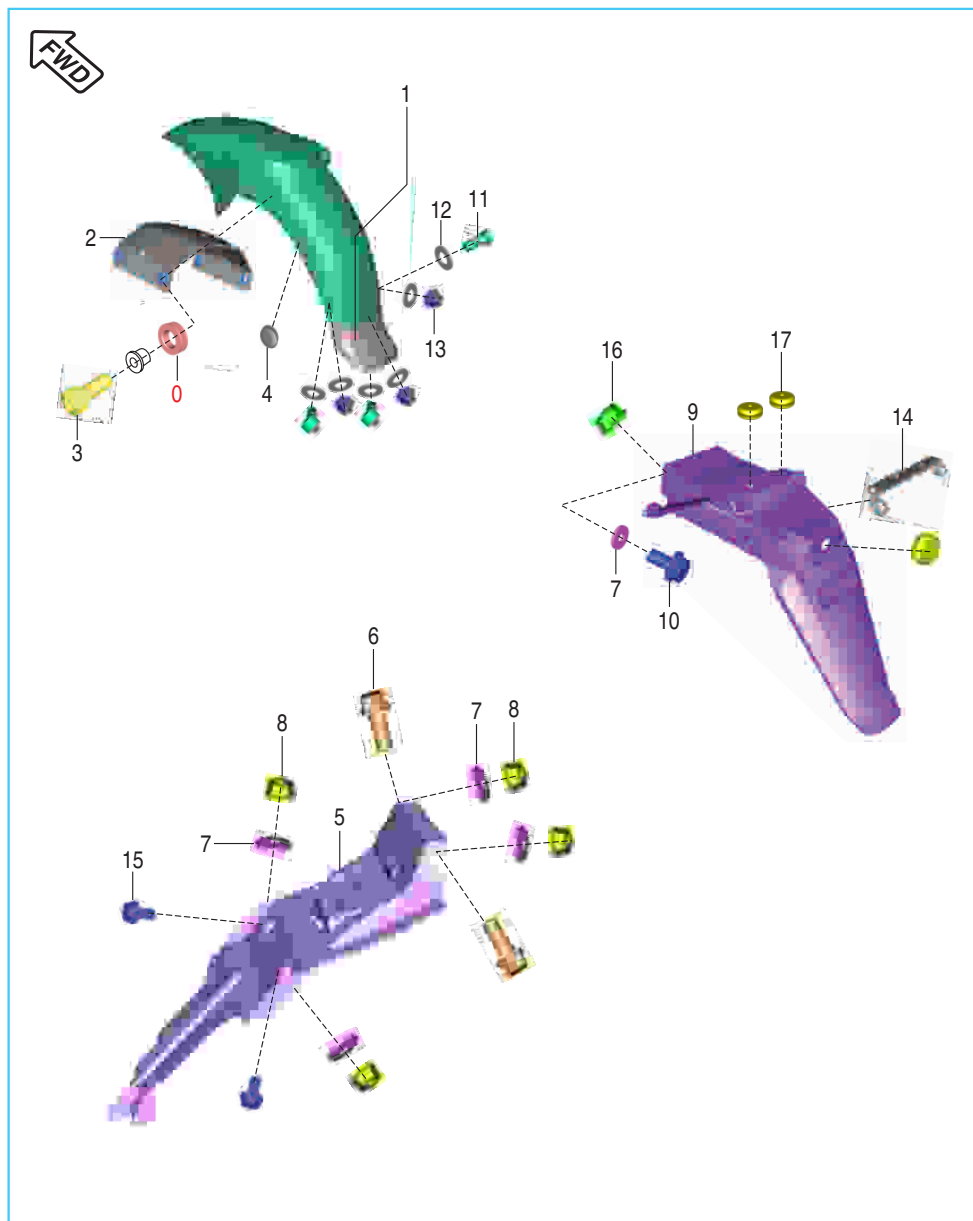
No.	Part No.	Description	Qty.	Remarks
1	56 DJ3X 1Y	Holder LH Step	1	
2	56 DJ3Y 1Y	Holder RH Step	1	
3	DJ 1611 28	Pillion Step Assembly Complete LH	1	
4	DJ 1611 29	Pillion Step Assembly Complete RH	1	
5	DJ 1611 22	Rubber Pillion Step	2	
6	36 DK00 13	Kit Hardware Pillion	2	
7	39 1069 01	Hexagon Head Screw	2	
8	39 0292 15	Nut	2	
9	39 1714 04	Flanged Bolt	2	
	KA AD06 12	Bolt	2	For Half fairing
10	DH 1611 57	Tube Silencer Mounting	1	
11	DH 1611 55	Damper Silencer Mounting	1	
12	30 1410 31	Ring O	2	
13	KH AA32 25	Pin Cotter	2	
	KH AA25 20	Pin Cotter (Front & Rear)	4	For Half fairing
14	DJ 1611 26	Main Step LH Assembly	1	
15	36 DK00 13	Kit Hardware Main Step	2	
16	DJ 1611 27	Main Step RH Assembly	1	
17	DH 1610 53	Rubber Main Step	2	
18	39 0963 15	Domed Cap Nut M-8	2	
	DJ 1612 85	Special bolt main step	2	For Half fairing
19	22 1504 51	Bolt Hexagon Head	2	
20	DH 1610 56	Plate Complete Low Main step	2	

Rider, Pillion Foot Rest & Step Holder



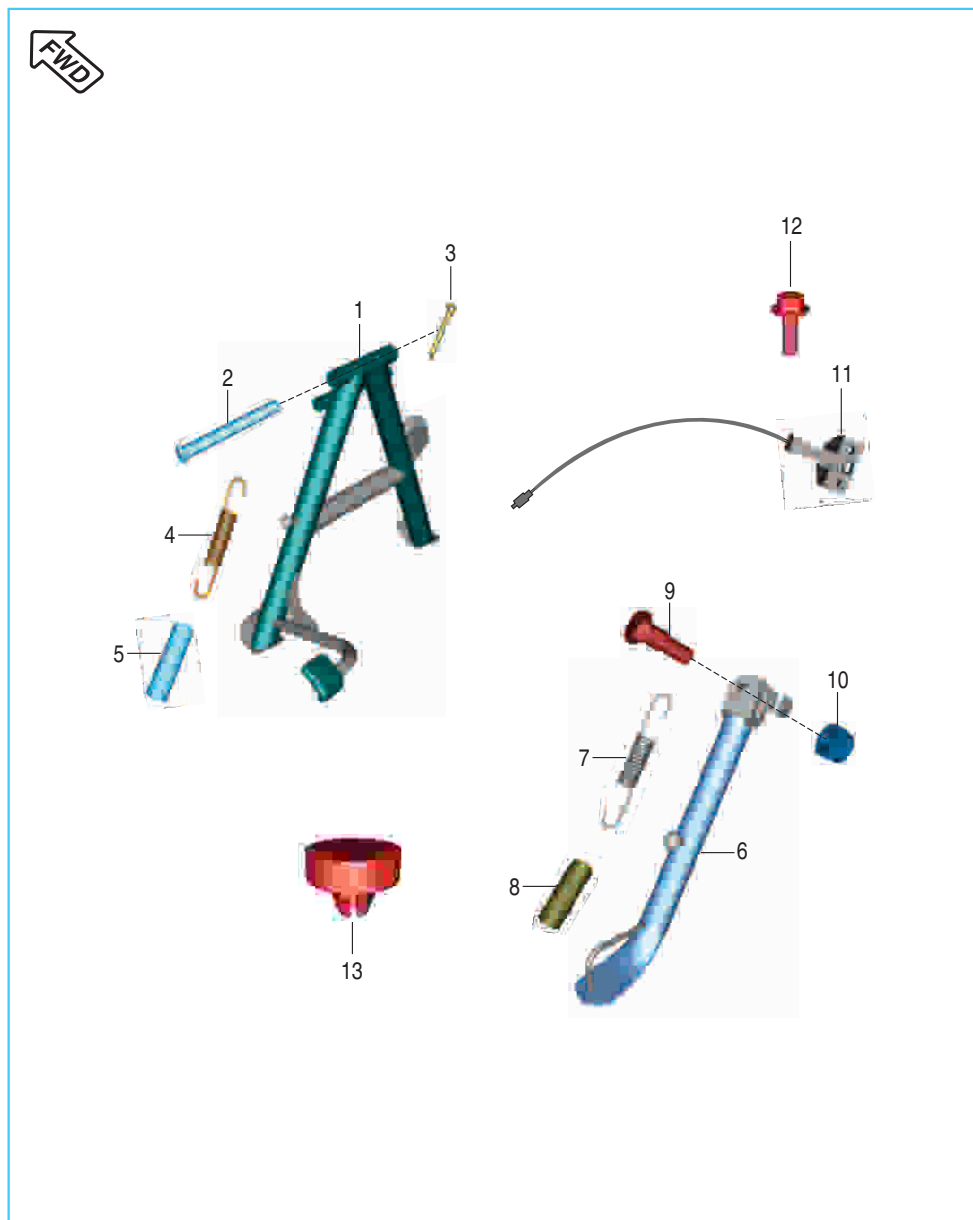
No.	Part No.	Description	Qty.	Remarks
21	39 0784 08	Pin Split	2	
22	30 1410 31	O Ring	2	
23	DH 1611 78	Spacer I main step	2	For ABS Model
24	KD AA08 16	Washer plain small	4	For Half fairing
25	DJ 1611 86	Washer	2	For ABS Model
26	DS 1612 24	Bolt - stepped with flange	1	For ABS Model
27	DK 1611 63	Bkt. Rear brake switch	1	
28	KA DA06 08	Bolt flanged	1	For Half fairing
29	DH 1611 00	Spacer main step	4	For ABS Model

Mudguard - Front & Rear



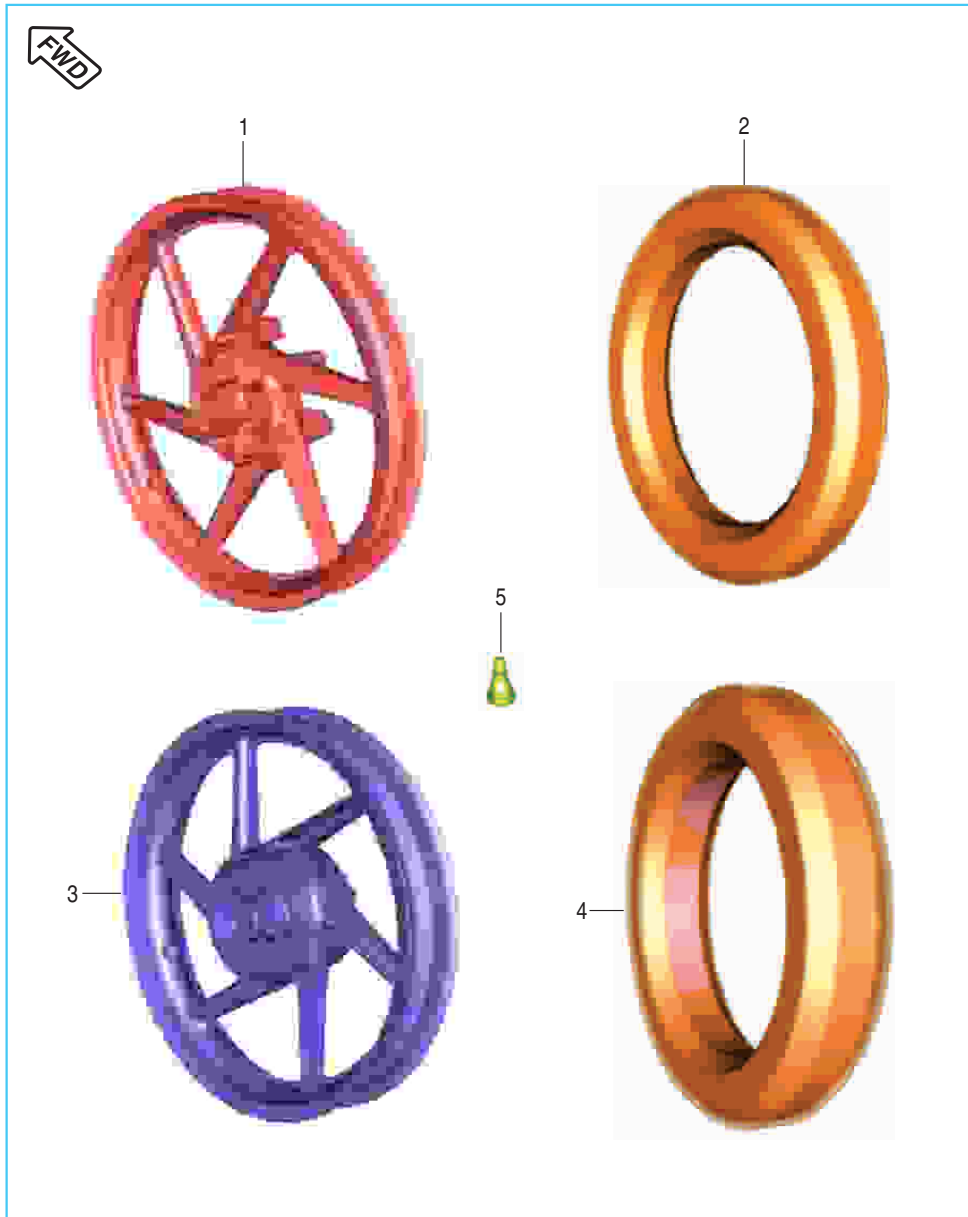
No.	Part No.	Description	Qty.	Remarks
1	DK 1611 98	Mud flap front	1	
2	DK 1610 98	Brace Fender Front	1	
3	59 0400 40	Step Bolt	4	
	KA AA08 18	Bolt	4	For Half fairing
4	DT 1814 33	Plug front fender rear	1	
5	DK 1613 38	Fender Rear Front	1	
6	39 1672 04	Flange Bolt M6	2	
	KA ED06 16	Bolt flanged small	2	For Half fairing
7	39 0711 11	Plain Washer	6	
8	39 0798 15	Nut Hexagon With Flange M6	2	
	LC L000 02	Nut flange - M6 x 1P	4	For Half fairing
9	DK 1610 85	Fender Rear	1	
10	39 1680 04	Flange Bolt	2	
	KA ED06 20	Flange Bolt	2	For Half fairing
	KA DD06 20	Bolt flanged	2	For ABS Model
11	KB BC05 12	Screw pan cross	3	
12	KD AA05 10	Washer plain small	6	
13	39 0326 15	Nut nyloc M5 x 0.8	3	
14	DK 1611 64	Indicator Mounting Bracket Rear	1	
15	KA DD06 12	Bolt flanged	2	
	KA DD06 10	Bolt flanged	2	For Half fairing
16	LC G000 08	Nut flange	2	
17	DJ 2011 73	Grommet for cables - rear fender	3	

Center & Side Stand Assembly



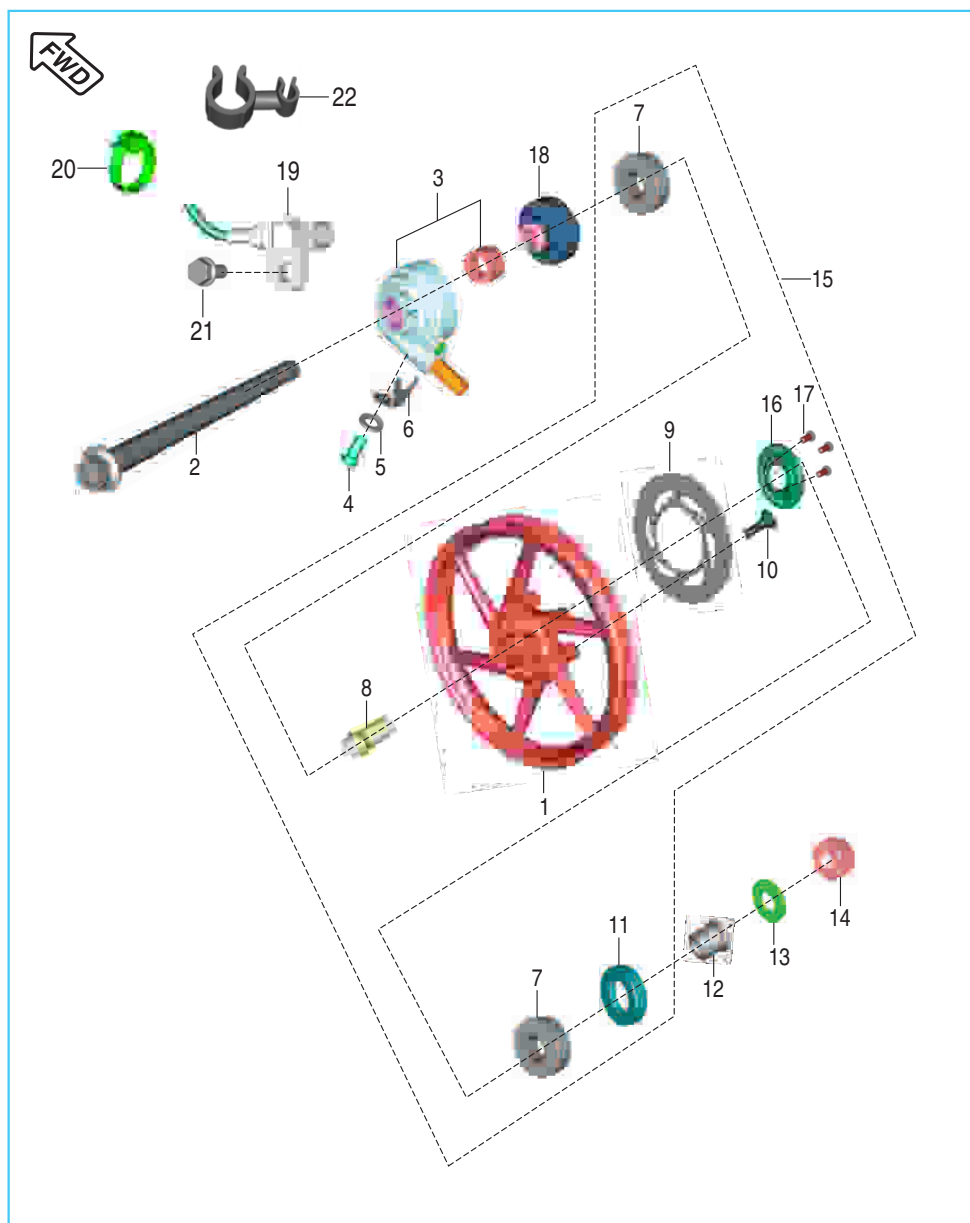
No.	Part No.	Description	Qty.	Remarks
1	DK 1611 22	Stand Center	1	
2	30 1611 57	Shaft Stand	1	
3	39 0787 08	Pin Cotter	1	
	KH AA25 20	Pin Cotter	1	For Half fairing
4	DH 1611 21	Spring Main Stand	1	
5	DH 1612 39	Cover Spring Center Stand	1	
	DH 1611 45	Cover spring M-stand	1	For Half fairing
6	JC 1610 17	Stand Side	1	
7	DH 1610 66	Spring Side Stand	1	
8	DH 1612 40	Cover Spring Side Stand	1	
	DH 1611 46	Cover Spring Side Stand	1	For ABS Model
9	DF 1611 02	Bolt	1	
10	39 0422 15	Nut Nyloc M10	1	
	LC H000 01	Nut Nyloc M10	1	For Half fairing
11	JC 2010 39	Side Stand Switch	1	
12	39 2060 04	Flanged Bolt M5	2	
	KA DS05 16	Bolt flange - M5 x 0.8 x L16	2	For Half fairing
13	DH 2010 65	Magnet Assembly	1	

Tube / Tyre / Rim



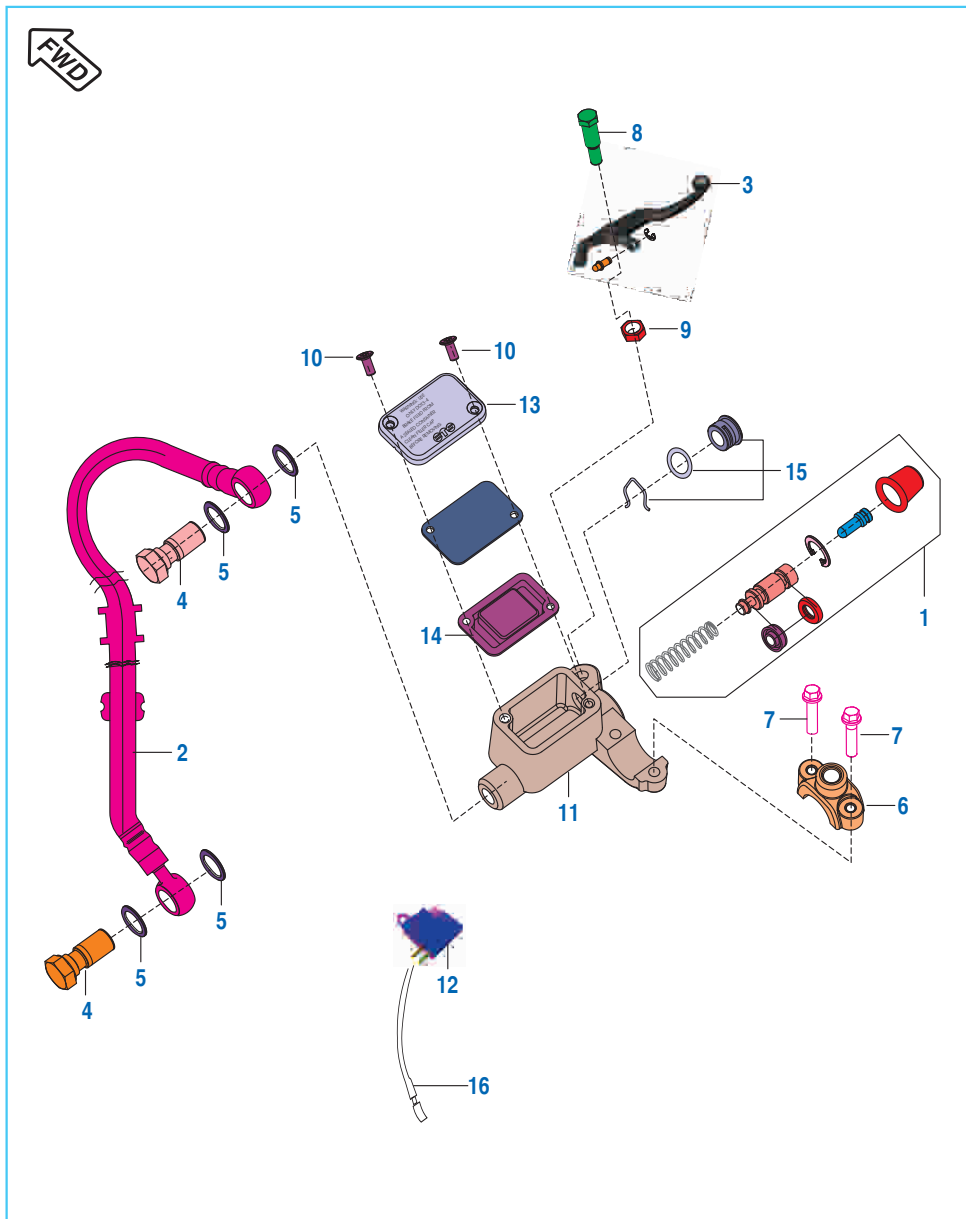
No.	Part No.	Description	Qty.	Remarks
1	JC 1510 13	Wheel Rim Front 1.85 x 17	1	
2	DK 1510 39	Tyre Front Tubeless	1	Not Serviceable
3	DK 1510 50	Wheel Rim Rear 2.5 x 17	1	
4	DK 1510 40	Tyre Rear Tubeless	1	Not Serviceable
5	DK 1510 26	Valve Tubeless Tyre	2	

Front Wheel Assembly



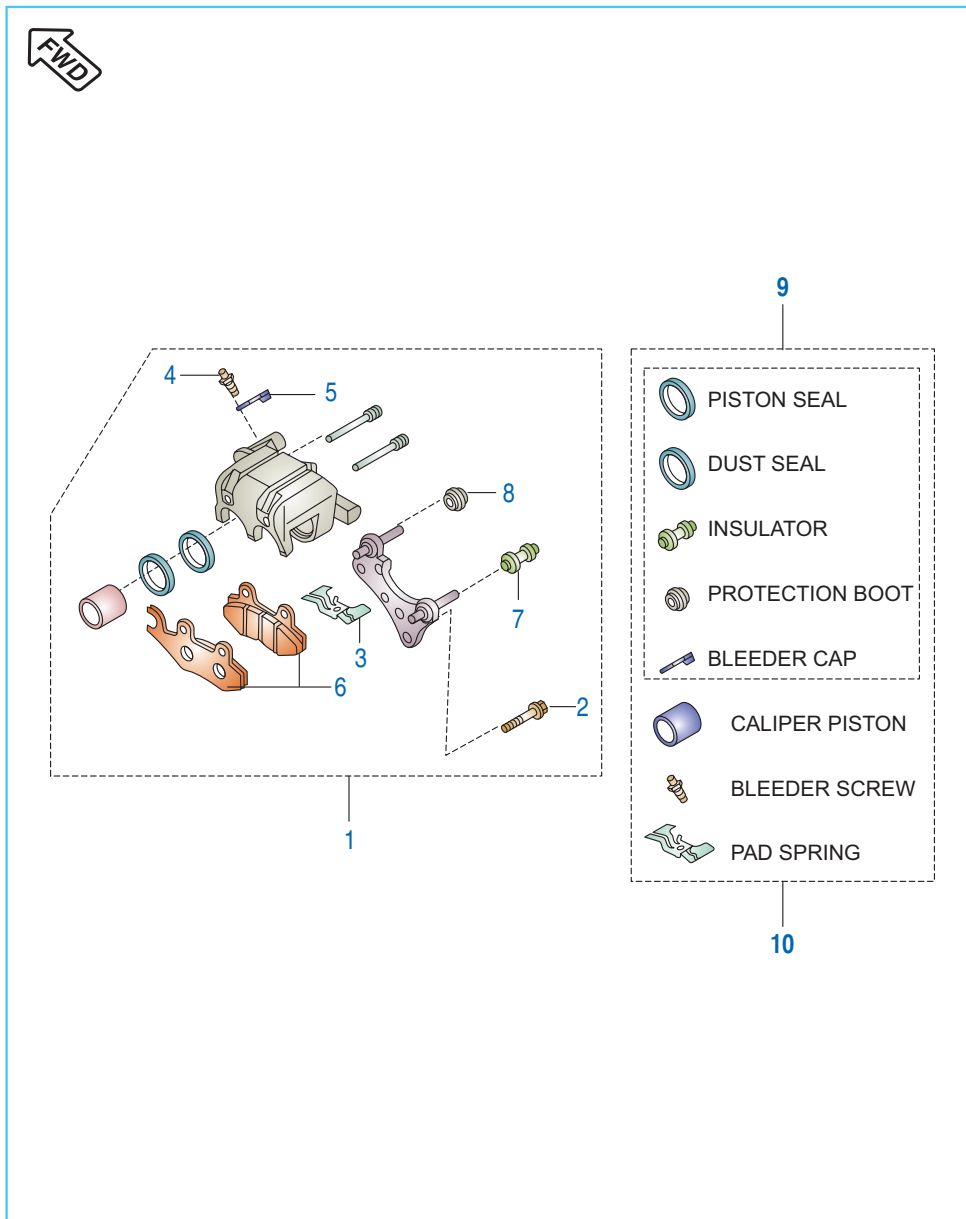
No.	Part No.	Description	Qty.	Remarks
1	JC 1510 13	Wheel Rim Front 1.85 x 17	1	
2	DK 1510 95	Front Axle	1	
3	JC 1510 20	Case Meter Speed Sensor	1	
	DK 1510 53	Assembly sensor speed wheel	1	For Half fairing
	DK 2010 98	Speed sensor	1	For Half fairing
4	KB BA04 08	Screw Pan Cross	1	
5	KD DB04 08	Washer Spring Thin	1	
6	JC 2010 46	Stopper plate	1	
7	KP BC62 02	Bearing Ball	2	
8	DK 1510 28	Spacer Assembly	1	
9	DK 1510 27	Disc	1	
	DK 1511 09	Disc	1	For ABS Model
	DK 1510 96	Disc front black	1	For Half fairing
10	PD 1318 03	Disc Mounting Bolt	6	
	JD 1318 11	Special bolt M8	6	For ABS Model
11	DG 1510 05	Seal Oil	1	
12	DG 1510 07	Collar	1	
13	DG 1510 08	Plain Washer	1	
14	DH 1710 19	U Nut	1	
15	JC 1510 13	Front Wheel	1	
16	PD 1318 35	Disc sensor speed front	1	
17	JG 1312 20	Screw pan cross	3	
18	DT 1310 17	Collar assembly front wheel (k8-abs)	1	
19	DT 4024 04	Sensor speed wheel	1	For ABS Model
20	PA 4022 04	Band (L 110mm)	1	For ABS Model
21	KA DT06 14	Bolt flanged - M6 x 1 x L 14	1	For ABS Model
22	JH 1318 84	Clip harness speed sensor	2	For ABS Model

Front Master Cylinder Assembly



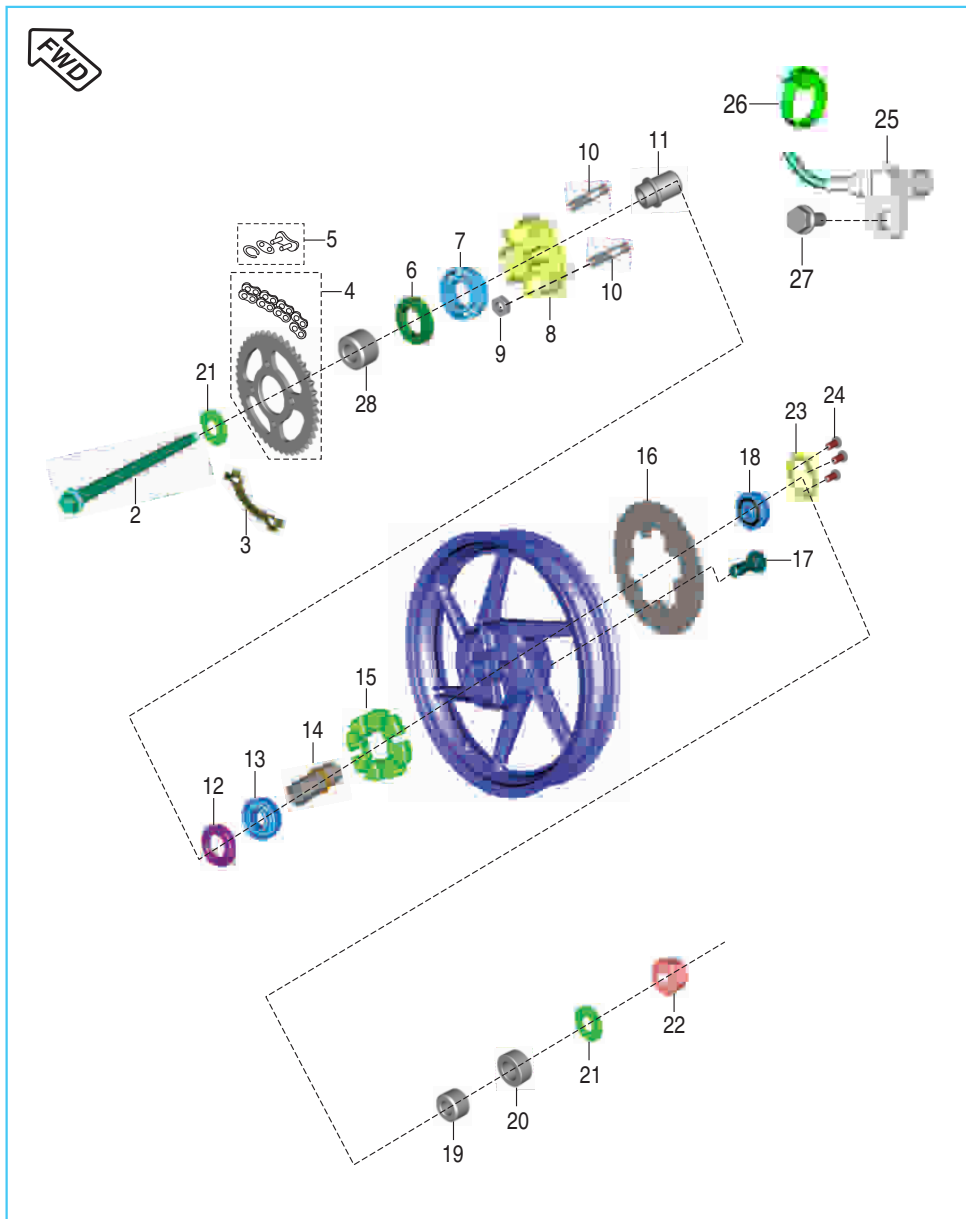
No.	Part No.	Description	Qty.	Remarks
1	36 JF00 18	Major Kit - Master Cylinder	1	Endurance Make
	36 DH40 48	Major Kit - Master Cylinder	1	Brembo Make
2	DK 1510 37	Hose Assembly	1	
3	DK 1910 12	Brake Lever RH	1	
	DJ 1910 57	Brake lever	1	For ABS Model
4	DK 1510 69	Banjo Bolt	2	
5	DE 1910 10	Washer Copper	4	
	DJ 1910 26	Copper washer	4	For Half fairing
6	DJ 1910 27	Clamp Holder RH	1	Endurance Make
	DH 1910 60	Clamp Holder RH with Screw	1	Endurance Make
	DE 1910 33	Clamp Holder RH	1	Brembo Make
7	DJ 1910 28	Bolt	2	
	DH 1510 39	Bolt flange - M8	2	For ABS Model
8	DJ 1910 29	Bolt Front Brake Lever	1	
9	DJ 1910 30	Nut Flanged	1	
10	DJ 1910 31	Screw	2	
11	DJ 1910 56	Master Cylinder Assembly With Lever	1	
	DJ 1511 44	Cylinder assembly master front	1	For ABS Model
	DJ 1511 41	Cylinder assembly master front	1	For Half fairing
12	DJ 2011 09	Front Brake Switch (Minda)	1	
13	DJ 1910 34	Reservoir Cover	1	
14	DJ 1910 35	Diaphragm	1	Endurance Make
	DE 1910 28	Diaphragm	1	Brembo Make
15	DH 1910 62	Oil Window Kit	1	Endurance Make
	DE 1910 36	Oil Window	1	Brembo Make
16	DJ 2011 08	Cable Assembly for switch	1	

Front Brake - Caliper & Disc



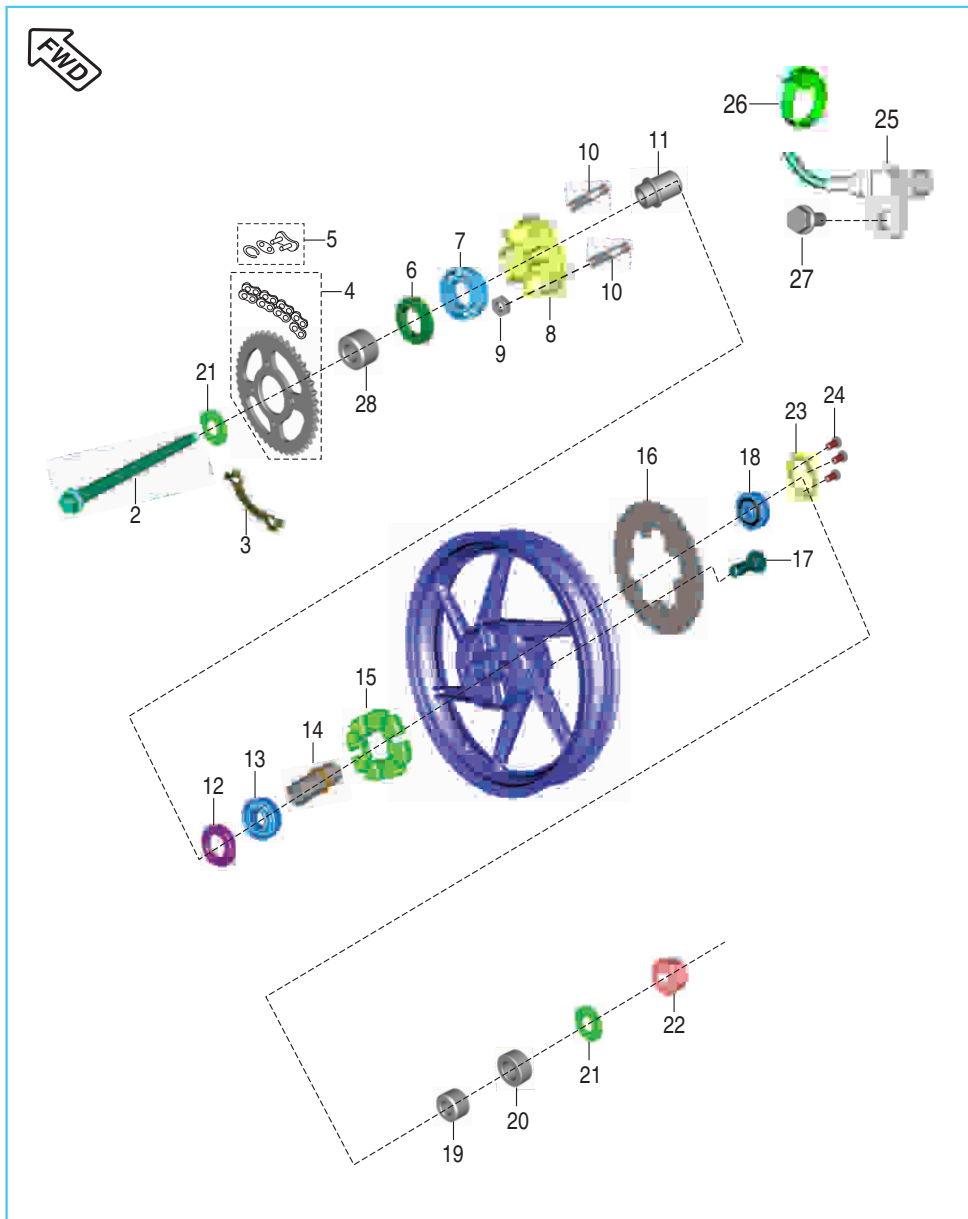
No.	Part No.	Description	Qty.	Remarks
1	JF 1318 06	Caliper Assembly Front	1	
	DJ 1511 29	Caliper Assembly Front	1	Black colour
	PD 1318 24	Caliper assembly front	1	For ABS Model
	PD 1318 53	Caliper assembly front	1	For Half fairing
2	39 2121 04	Bolt Flanged	2	
3	DE 1510 48	Spring Pad	1	
4	DE 1510 46	Bleeder Screw	1	
5	DE 1510 47	Bleeder Cap	1	
6	JW 1318 07	Disc Pad Set	1	Endurance Make
	DE 1510 37	Disc Pad Set	1	Brembo Make
7	DE 1510 43	Insulator	1	
8	DE 1510 45	Protection Boot	1	
9	36 JF00 15	Minor Kit - Caliper	1	Endurance Make
	36 DK00 65	Minor Kit - Caliper	1	Brembo Make
10	36 JF00 16	Major Kit - Caliper	1	Endurance Make
	36 DK00 66	Major Kit - Caliper	1	Brembo Make
11	36 JF00 17	Caliper Mini Kit	1	Endurance Make
12	JW 1318 10	Anchor Pin Kit	1	Endurance Make

Rear Wheel Assembly



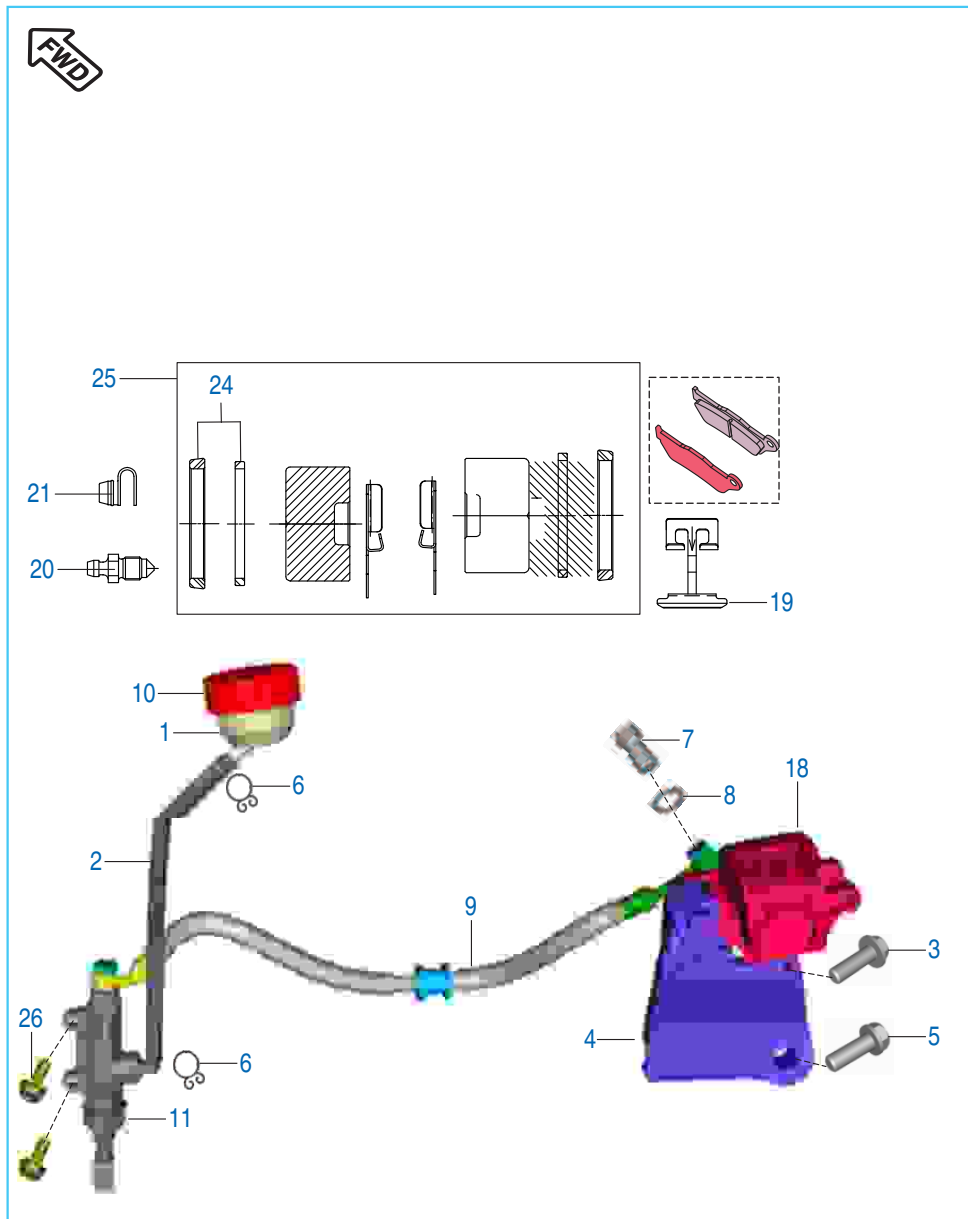
No.	Part No.	Description	Qty.	Remarks
1	DK 1510 50	Wheel Rim Rear 2.5 x 17	1	
2	DK 1510 09	Axel rear	1	
3	DS 1510 74	Washer lock	2	
4	36 DK00 36	Chain sprocket Kit	1	
5	DK 1510 36	Drive chain lock	1	
6	DK 1510 12	Oil Seal	1	
7	KP AC60 05	Ball Bearing	1	
8	JC 1510 16	Coupling	1	
9	39 1997 15	Nut hex small	4	
	LC A000 02	Nut hex thin M10 x 1.25 x 6	4	For Half fairing
	KC BK10 06	Nut hex thin - M10	4	For ABS Model
10	DS 1510 73	Stud	4	
11	DK 1510 15	Sleeve	1	
12	30 1510 82	Seal oil	1	
13	KP BC62 02	Ball bearing	1	
14	DK 1510 22	Collar bearing Assembly	1	
15	JG 1312 19	Coupling rubber	1	
16	DK 1510 24	Rear disc	1	
	DK 1510 97	Disc brake dia 230	1	For Half fairing
17	39 2038 04	Hexagon Socket Head Bolt - M6	6	
	DH 1510 40	Bolt socket - M6 x 1 x L16	6	For Half fairing
18	KP BC63 02	Ball bearing	1	
19	DK 1510 81	Spacer I	1	
20	DK 1510 82	Spacer II	1	

Rear Wheel Assembly



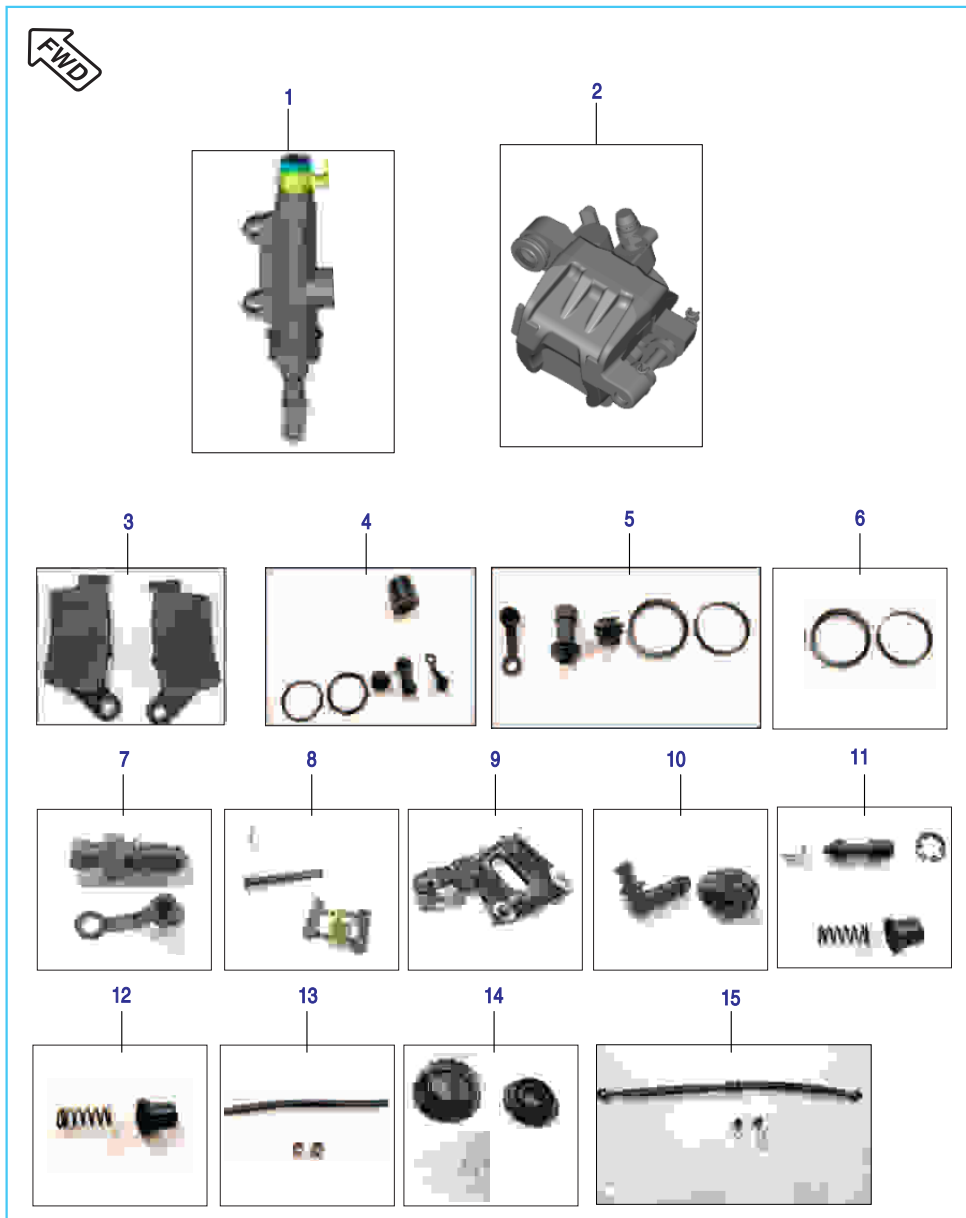
No.	Part No.	Description	Qty.	Remarks
21	DG 1510 08	Washer	2	
22	DH 1710 19	"U" nut	1	
23	JU 1318 02	Sensor disc rear	1	For ABS Model
24	JG 1312 20	Screw for abs	1	For ABS Model
25	DK 2011 64	Sensor speed wheel	1	For ABS Model
26	PA 4022 04	Band (L 110mm)	1	For ABS Model
27	KA DT06 14	Bolt flanged - M6 x 1 x L 14	1	For ABS Model
28	DK 1510 14	Spacer for coupling	1	For Half fairing

Rear Master Cylinder & Caliper - Brembo Make



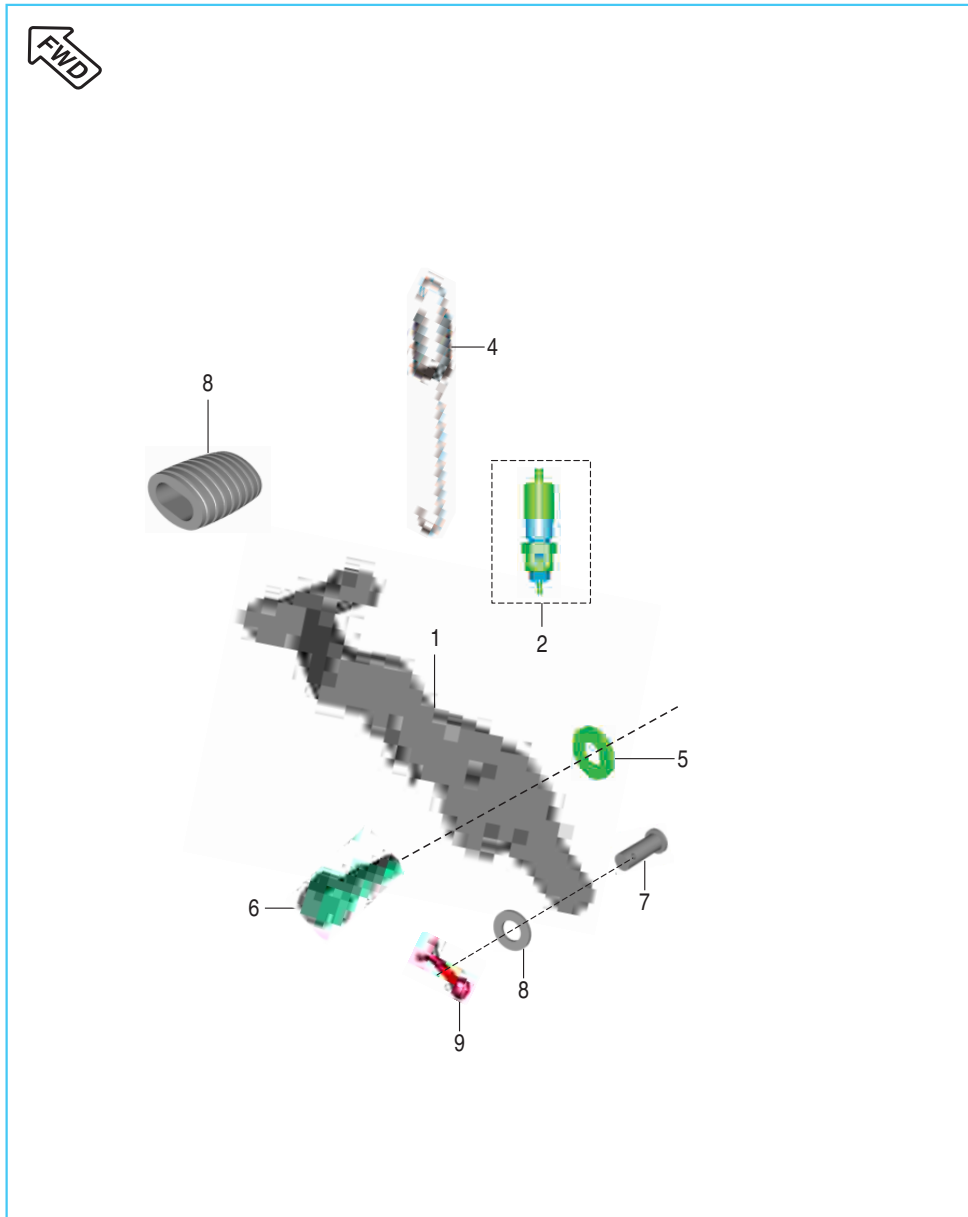
No.	Part No.	Description	Qty.	Remarks
1	DK 1510 33	Reservoir Rear Disc Brake	1	
2	DK 1510 34	Reservoir Tube Rear Disc	1	
3	39 2310 04	Flange Bolt	2	
4	DK 1510 86	Caliper Bracket	1	
5	39 2481 04	Bolt Hexagon Head With Flange M8	1	
6	DK 1510 63	Clip For Reservoir Tube	2	
7	DK 1510 69	Banjo Bolt	2	
8	DE 1910 10	Copper Washer	4	
	DJ 1910 26	Copper washer	4	For Half fairing
9	DK 1510 84	Hose Brake Rear	1	
10	DK 1510 45	Reservoir Cap	1	
11	DK 1510 31	Master Cylinder	1	
12	36 DK00 69	Major kit Master Cylinder	1	
13	36 DK00 70	Minor kit Master Cylinder	1	
14	DK 1510 78	Circlip	1	
15	36 DK00 71	Push Rod	1	
16	DK 1510 76	Connector	1	
17	DK 1510 77	Cap	1	
18	DK 1510 83	Caliper Assembly. Rear	1	
	DJ 1511 37	Caliper assembly rear	1	For Half fairing
19	DK 1510 41	Spring Pad	1	
20	DE 1510 46	Bleeder Screw	1	
21	DE 1510 47	Bleeder cap	1	
22	DK 1510 85	Disc Pad Set	1	
23	DK 1510 88	Piston Kit (major kit) floating caliper	1	
24	36 DK00 67	Kit Caliper Minor with Grease	1	
25	36 DK00 68	Kit Caliper Major with Grease	1	
26	LA D000 77	Bolt flanged - M6 x 16	2	For Half fairing

Rear Master Cylinder & Caliper - Endurance make



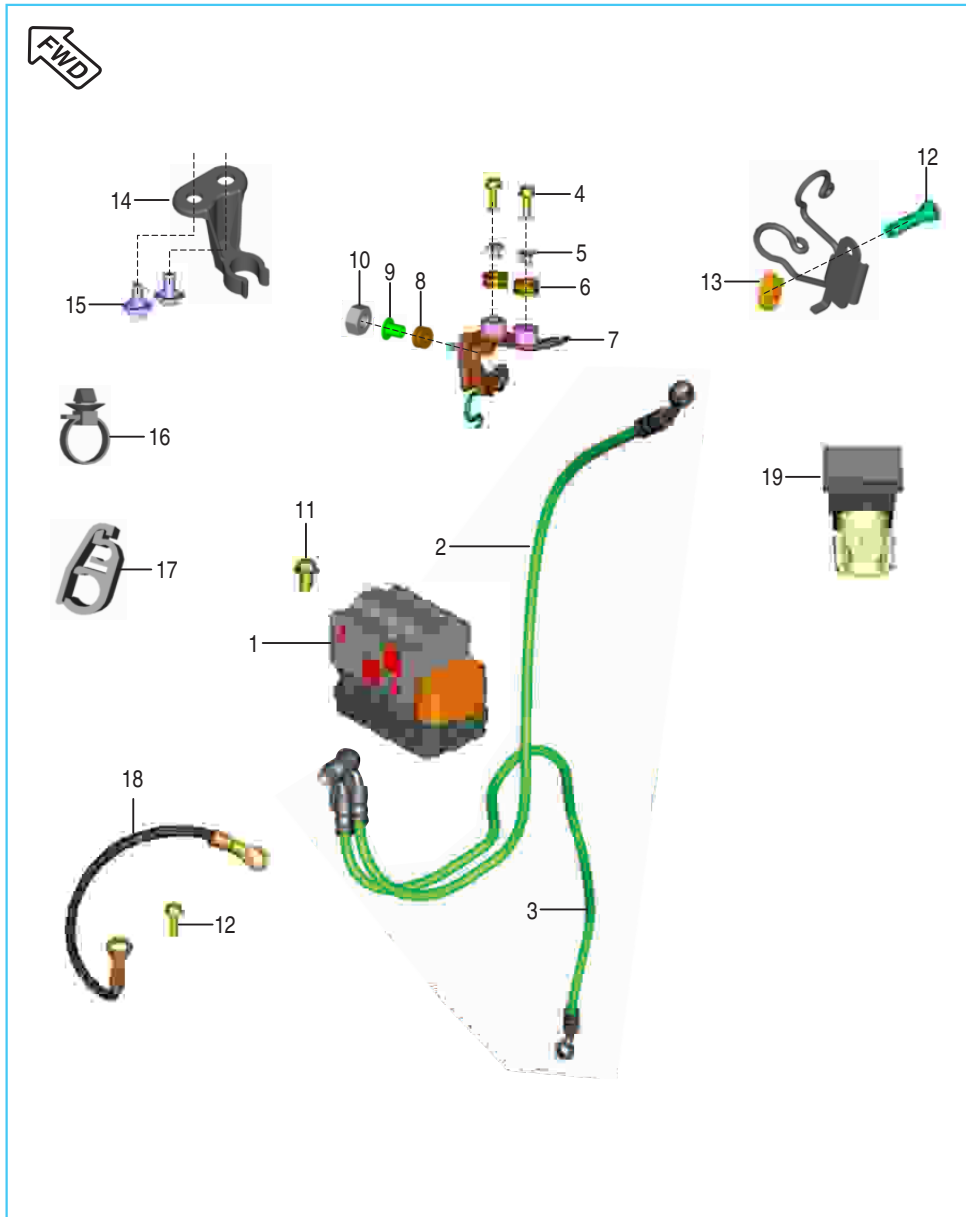
No.	Part No.	Description	Qty.	Remarks
1	DK 1510 31	Master Cylinder	1	
2	DK 1510 83	Caliper Assembly Rear	1	
	JR 1318 29	Caliper Assembly Rear	1	Black colour
	JR 1318 29	Caliper Assembly Rear	1	For ABS Model
3	36 DH41 74	Disc Pad Set Rear Caliper Endu	1	
4	36 DH41 75	Major Kit Rear Caliper Endu	1	
5	36 DH41 77	Kit Minor Rear Caliper Endu	1	
6	36 DH41 76	Kit Piston Seal Rear Caliper Endu	1	
7	36 DH41 78	Kit Bleeder Screw Endu	1	
8	36 DH41 79	Kit Caliper Hardwares Endu	1	
9	36 DH41 80	Kit Holder Bracket Caliper Endu	1	
10	36 DH41 81	Kit Filler & Protection Cap	1	
11	36 DH41 72	Major kit rear mst cylinder endu	1	
12	36 DH41 73	Minor kit rear mst cylinder endu	1	
13	36 DH41 82	Kit Reservoir Tube	1	
14	36 DH41 83	Kit Reservoir	1	
15	36 DH41 84	Kit Brake Hose Endu	1	
16	DK 1510 69	Banjo Bolt	2	
17	DE 1910 10	Copper Washer	4	

Rear Brake Pedal



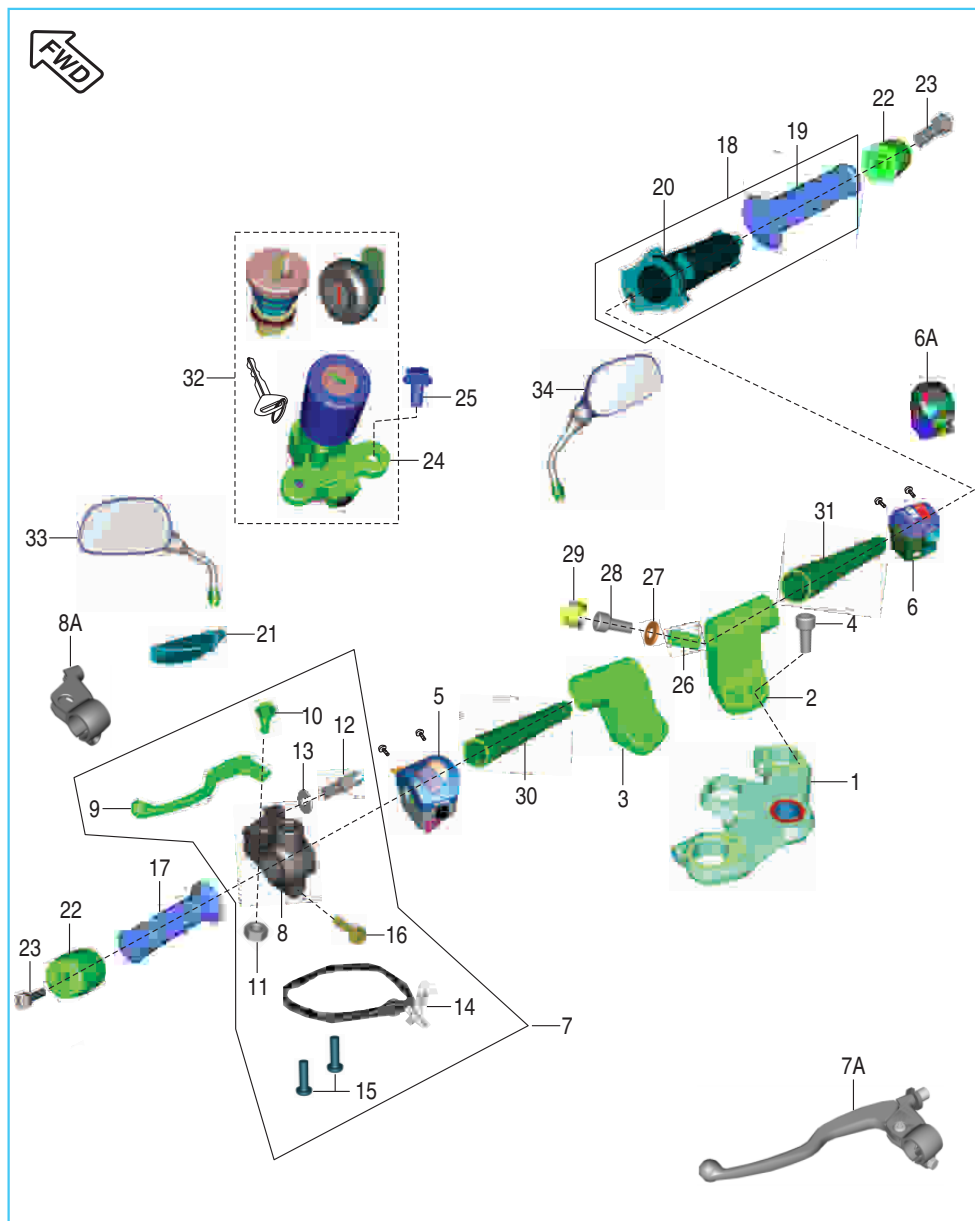
No.	Part No.	Description	Qty.	Remarks
1	DK 1910 12	Lever Brake Pedal	1	
	DK 1910 42	Assembly Pedal Brake	1	For Half fairing
2	31 2010 79	Brake Switch Rear	1	
3	DG 1013 39	Damper	1	
4	DK 1910 13	Spring Brake Pedal	1	
5	DK 1011 85	Washer Pivot Bolt	1	
6	DK 1011 87	Collar Pivot Bolt	1	
7	30 1910 38	Pin	1	
8	LD B000 19	Washer plain	1	
9	KH AA20 15	Pin cotter	1	

Anti Lock Braking System (ABS)



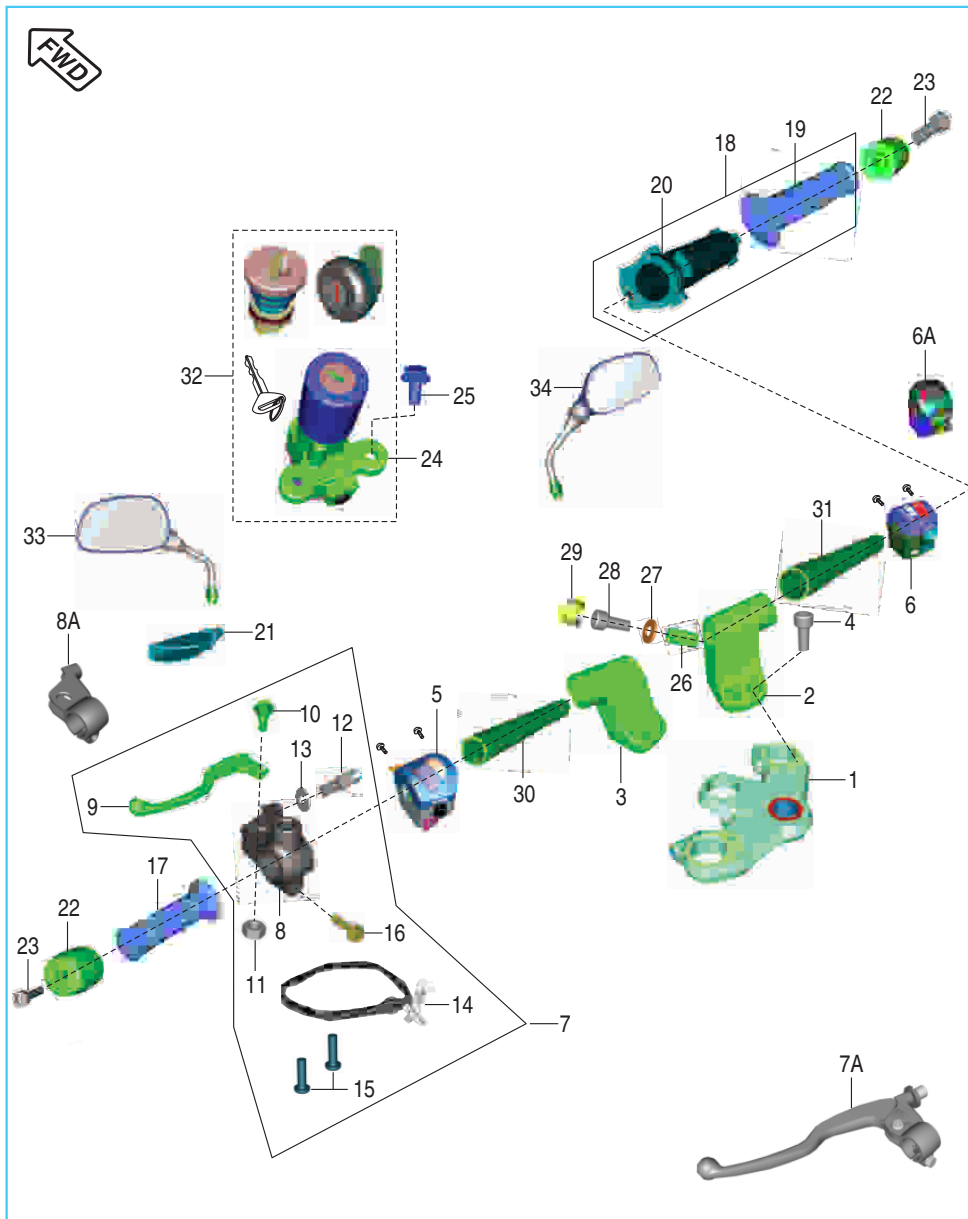
No.	Part No.	Description	Qty.	Remarks
1	DK 1511 11	Unit ABS	1	
2	36 DK01 86	Hose cylinder master front to Unit ABS	1	
3	36 DK01 87	Hose unit ABS to Caliper front	1	
4	KA DF06 20	Bolt Flanged	2	
5	JC 1410 16	Collar tank cover	2	
6	JP 1710 51	Grommet	2	
7	DK 1614 36	Bracket Unit ABS	1	
8	GL 1138 12	Grommet CC unit mtg	1	
9	GL 1138 11	Sleeve CC unit mtg	1	
10	KC AA06 05	Nut hex thick	1	
11	KA EF06 08	Bolt Flange	3	
12	KA ED06 10	Bolt flanged small	1	
13	DT 1318 75	Clamp brake hose	1	
14	DK 1811 07	Clamp hose brake	1	
15	JG 1812 55	Step bolt	2	
16	60 1114 20	Cable tie lock	1	
17	JF 1318 71	Clip separator	1	
18	JP 4022 21	Cable earth ABS	1	
19	JG 4020 05	Unit can termination	1	

Handle Bar



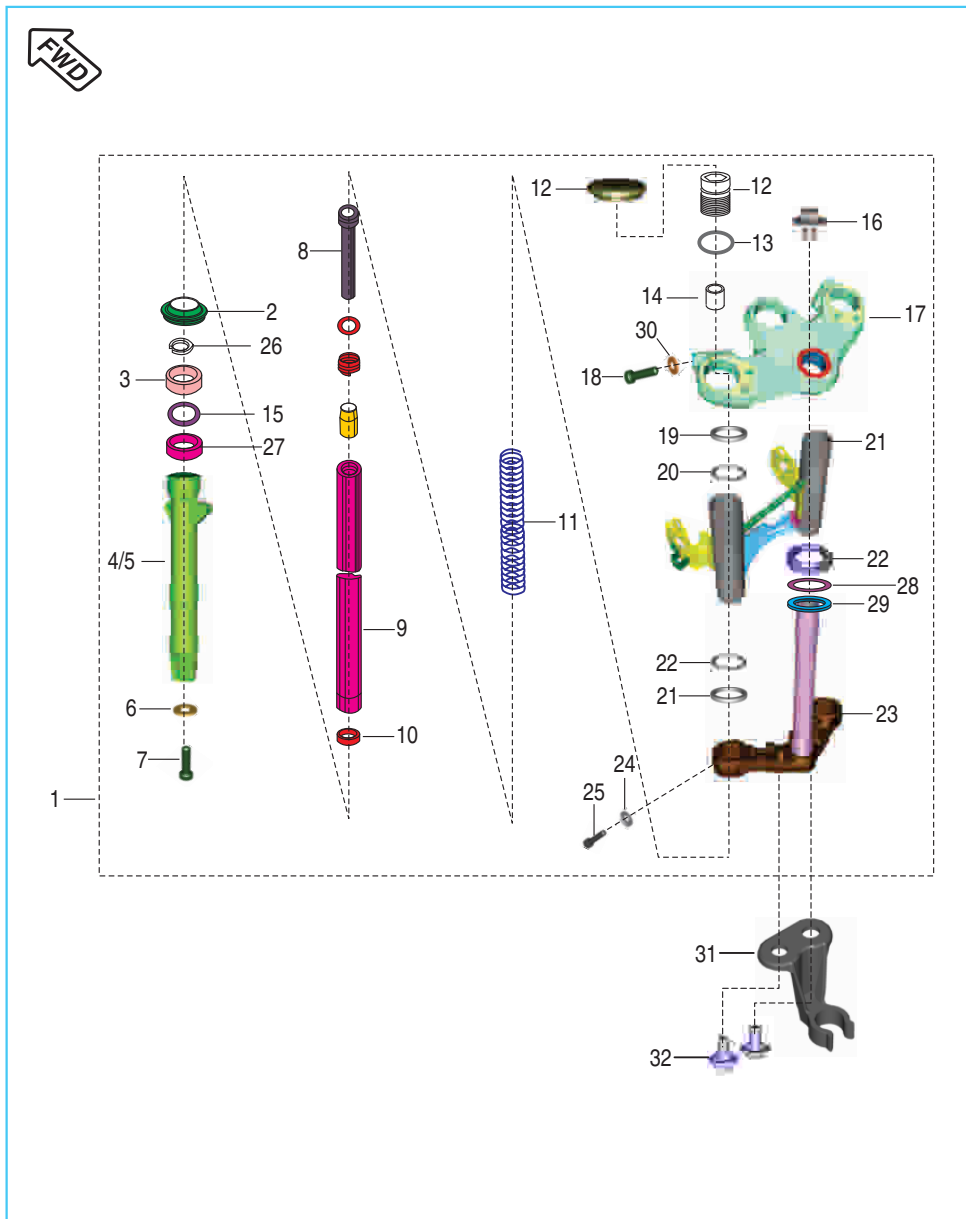
No.	Part No.	Description	Qty.	Remarks
1	56 DK33 Y9	Upper Bracket	1	
2	56 DK31 Y9	Holder handle RH Black	1	
3	56 DK32 Y9	Holder handle LH Black	1	
4	DG 1810 08	Socket Bolt	4	
	LA C000 59	Bolt socket - M8 x 1.25 x L25	4	For Half fairing
5	JF 4014 00	Control Switch LH	1	
	DH 2011 11	Control Switch LH	1	For ABS Model
	DK 2011 62	Control Switch LH	1	For Half fairing
6	JF 4014 01	Control Switch RH	1	
	DH 2011 12	Control Switch RH	1	For ABS Model
	DK 2011 63	Control Switch RH	1	For Half fairing
6A	JD 4014 00	Control Switch RH	1	AHO Model
7	DJ 1910 82	Lever & Support Holder Assembly	1	
7A	DK 1910 34	Assembly lever - holder LH	1	For Half fairing
8	DJ 1910 81	Holder LH	1	
8A	DK 1810 96	Lever holder LH	1	For Half fairing
9	DJ 1910 83	Lever LH	1	
10	DL 1910 14	Stud Lever Handle	1	
11	39 1184 15	Nyloc Nut - M5 x 0.8	1	
12	36 DU19 01	Cable Adjust Kit	1	
13	30 1910 17	Check Nut	1	
14	DJ 2012 46	Clutch Switch	1	
	DK 2011 37	Switch clutch VB - Transil diode	1	For Half fairing
15	LB U000 12	Screw For Clutch Switch	2	
16	KA DD06 25	Bolt Flanged	1	

Handle Bar



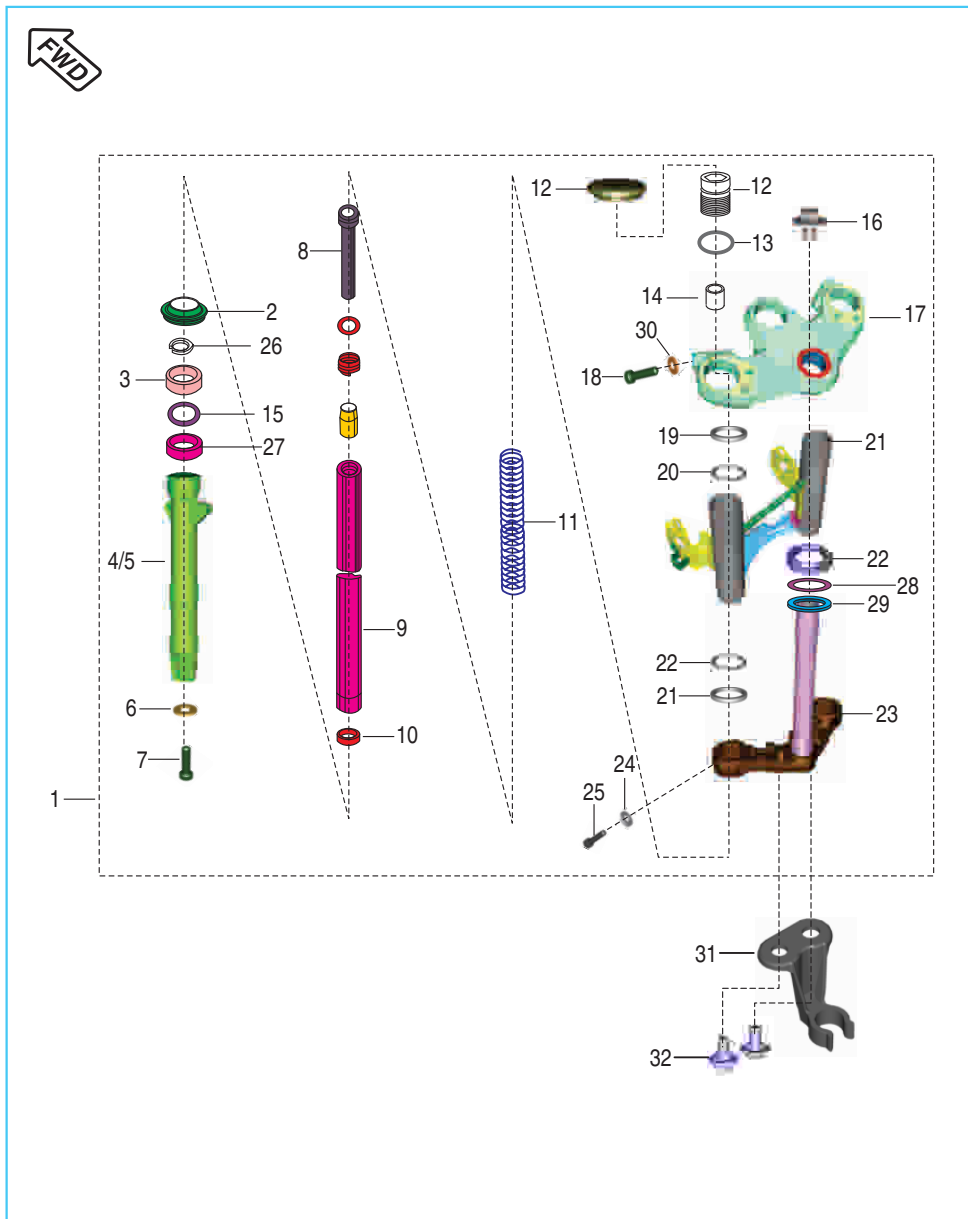
No.	Part No.	Description	Qty.	Remarks
	KA DT06 25	Bolt Flanged - M6 x L25	1	For Half fairing
17	DH 1910 67	Grip LH	1	
	DH 1910 07	Hand grip LH	1	For ABS Model
18	DH 1910 69	Grip Assembly RH	1	
	DH 1910 14	Grip Assembly RH	1	For ABS Model
19	DH 1910 68	Grip RH	1	
	DH 1910 08	Hand grip RH	1	For ABS Model
20	DH 1910 17	Pipe throttle	1	
21	DS 1910 52	Lever Boot LH	1	
22	DK 1810 43	Handle bar weight	2	
23	39 2427 04	Hex. Socket HD Cap Screw	2	
	LA C000 20	Bolt socket M8 x 1.25 x 55L	2	For ABS Model
24	JB 4014 02	Ignition Switch Assembly	1	
25	39 1680 04	Flange Bolt	2	
	LA E000 21	Bolt flange - M6 x 12 precoated	2	For Half fairing
26	DK 1810 31	Bush Silent Handle Bar Tube	2	
27	39 1180 11	Washer	2	
28	DK 1810 79	Bolt	2	
29	DK 1810 36	Plug Handle Holder	2	
30	DK 1810 46	Handle Bar Tube Assembly LH	1	
31	DK 1810 47	Handle Bar Tube Assembly RH	1	
32	DH 1811 30	Lock Set	1	
	DK 1810 99	Lock Set	1	For Half fairing
33	DJ 2210 03	Mirror Assly. LH	1	
34	DJ 2210 04	Mirror Assly. RH	1	

Front Fork



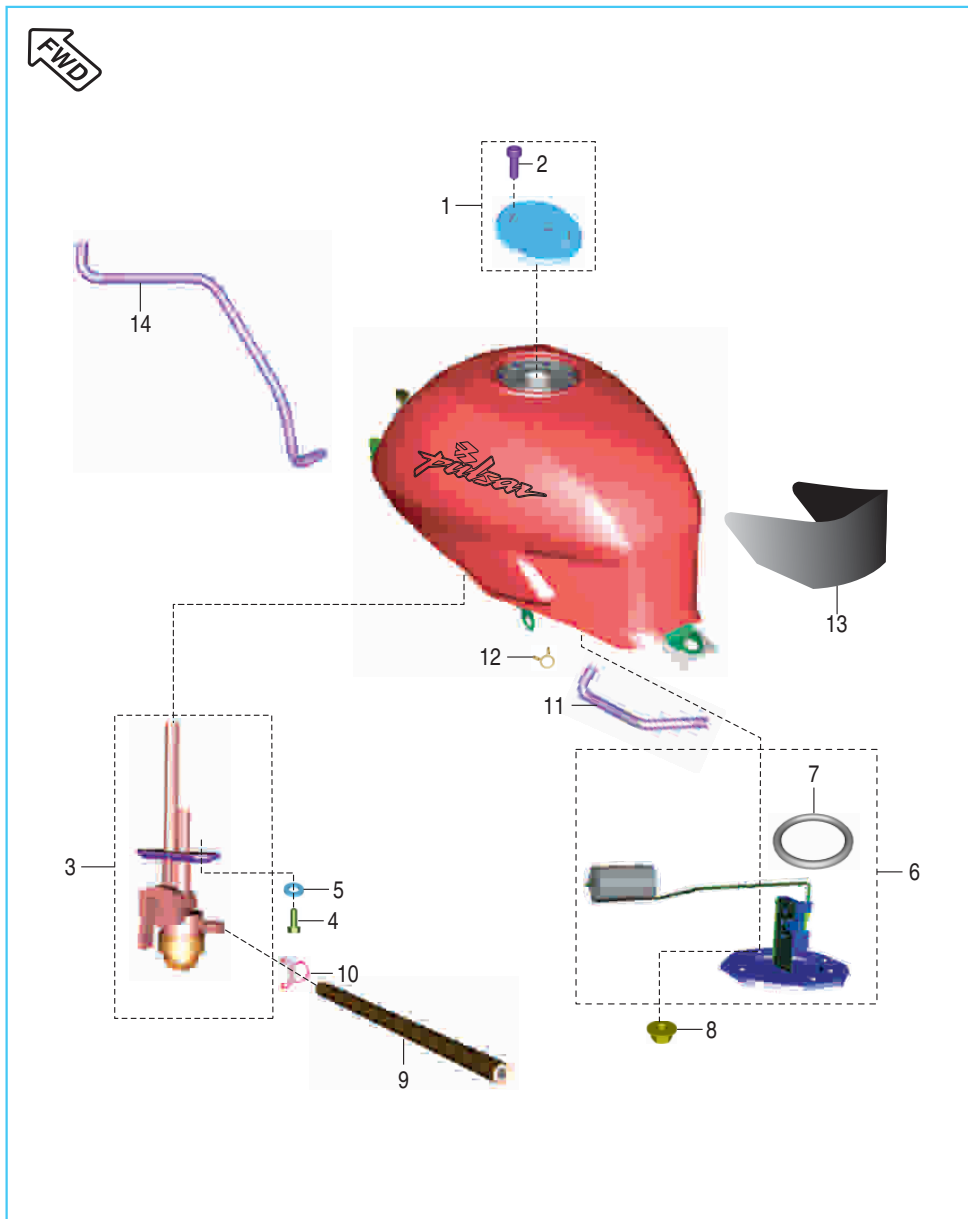
No.	Part No.	Description	Qty.	Remarks
1	DK 1810 87	Fork Assembly Front	1	
2	DK 1810 21	Inner Dust Seal	2	
3	DK 1810 19	Fork oil seal	2	
	DJ 1710 39	Oil seal- toughened dia 37	2	For Half fairing
4	DK 1810 90	Outer Tube LH	1	
5	DK 1810 91	Outer Tube RH	1	
6	DK 1810 07	Copper Washer	2	
7	DK 1810 08	Bolt	2	
	DK 1810 06	Socket headed bolt - M10 x 1.5 x 35	2	For Half fairing
8	DK 1810 10	Seat Pipe	2	
9	DK 1810 92	Fork Pipe Spinning	2	
10	DK 1810 11	Slide Bush	2	
11	DK 1810 73	Spring Main Spring	2	
12	DK 1810 22	Bolt fork	2	
13	DK 1810 23	'O' ring	2	
14	DK 1810 93	Spacer Tube	2	
15	DK 1810 18	Washer Seal	2	
16	59 0400 05	Bolt	1	
17	56 DK33 Y9	Upper Bracket	1	
18	DG 1810 08	Socket Bolt	2	
	39 1298 04	Screw hex. Socket M8 x 1.25 x 35	2	For Half fairing
19	JC 1810 23	Cushion Rubber	2	
20	JC 1810 22	Cover Trail B	4	

Front Fork



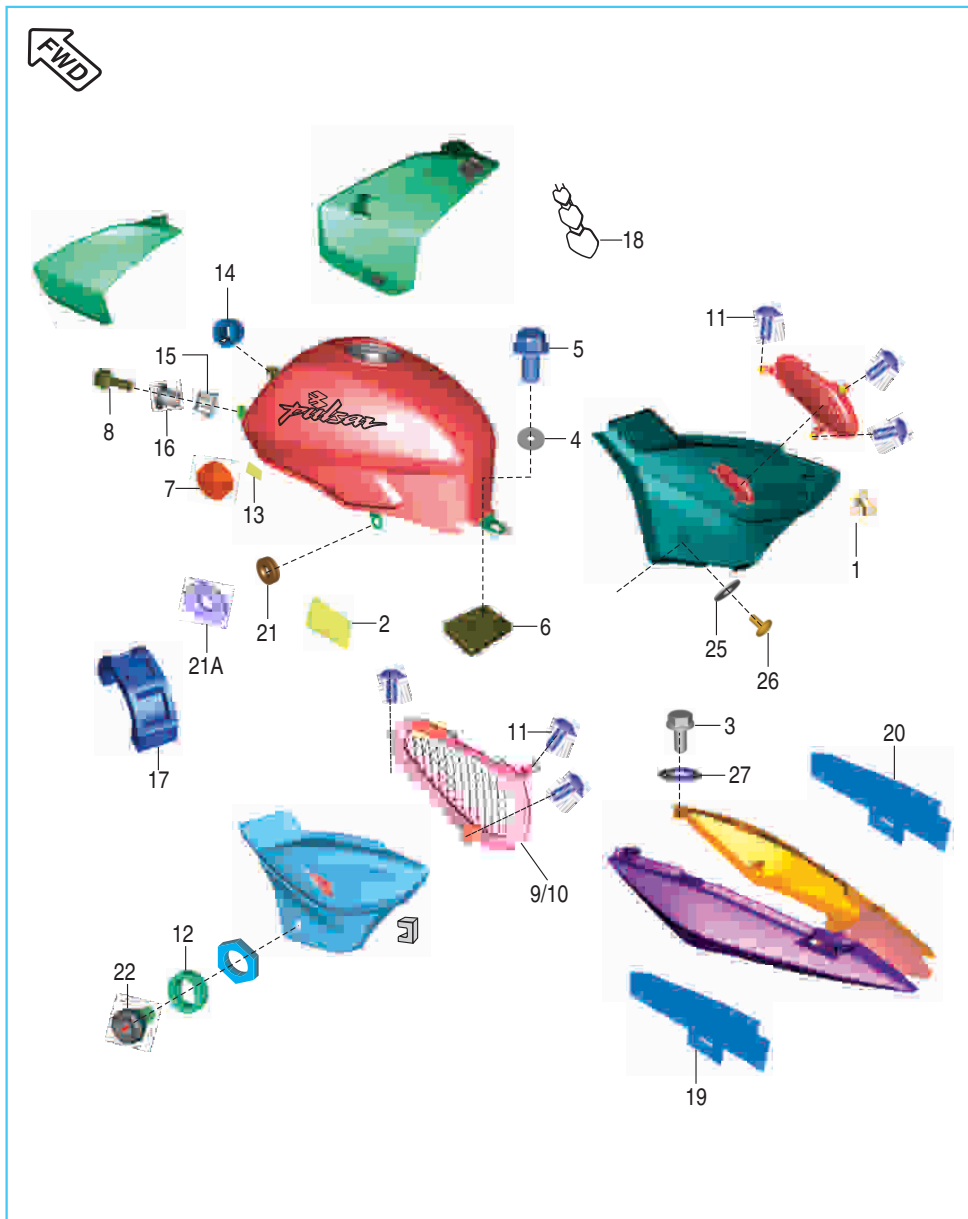
No.	Part No.	Description	Qty.	Remarks
21	JC 1810 24	Lamp Shade asly.	1	
22	DG 1810 45	Bearing cone Upper	1	
23	DK 1810 24	Under Bracket Sub Assembly	1	
24	DK 1810 25	Spring washer	2	
25	DK 1810 28	Bolt	2	
26	DK 1810 20	Oil Seal Stopper	2	
27	DK 1810 17	Guide Bush	2	
28	DG 1810 03	Washer	1	
29	DG 1810 04	Seal - oil	1	
30	KD AA08 16	Washer plain small	2	For Half fairing
31	DK 1811 07	Clamp hose brake	1	For Half fairing
32	JG 1812 55	Step bolt	2	For Half fairing

Fuel Tank, Fuel Cock, Cap Tank & Fuel Gauge



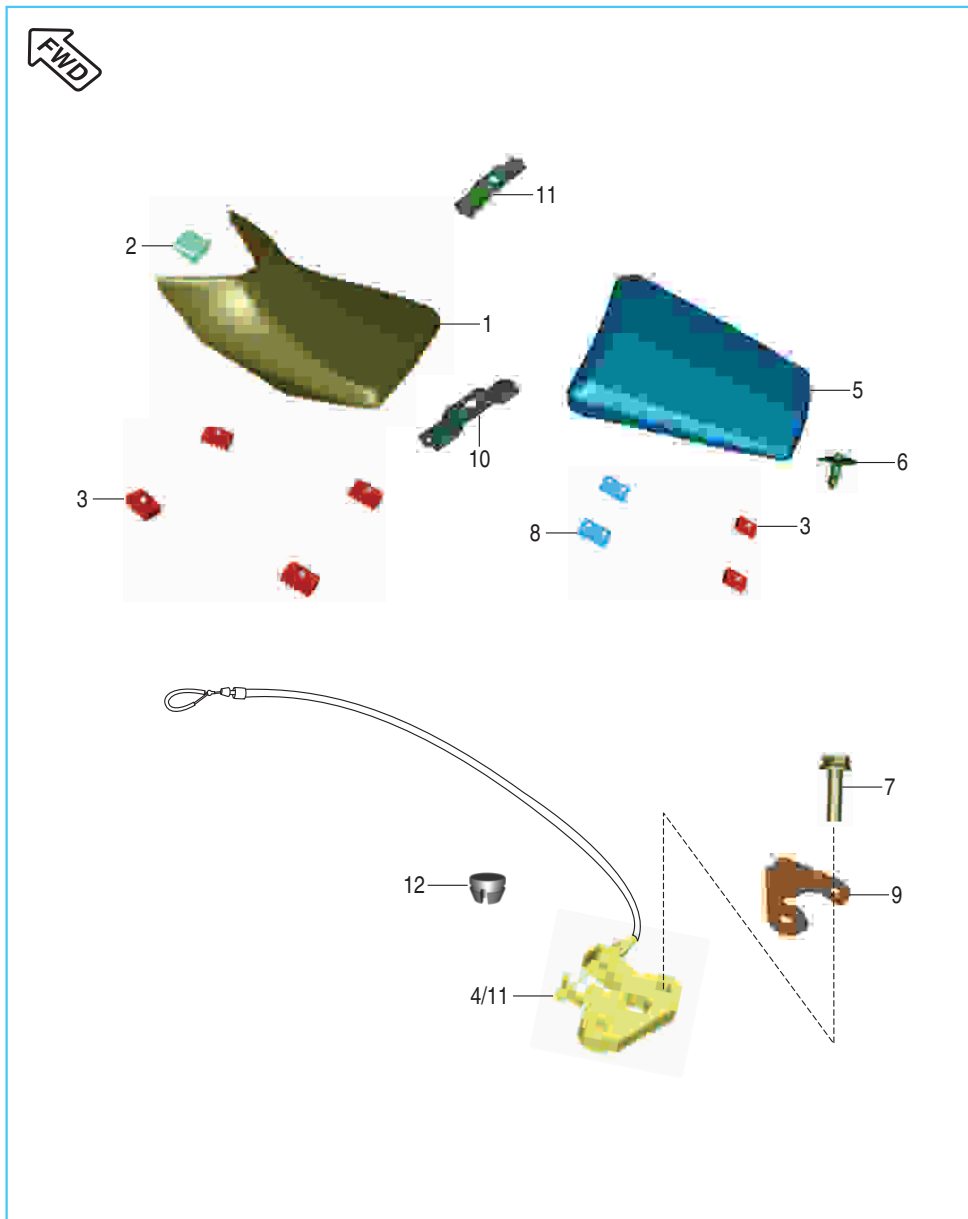
No.	Part No.	Description	Qty.	Remarks
1	DH 1811 30	Lock Set EVAP Single	1	
	DK 1810 99	Lock Set	1	For Half Fairing
2	KA CA05 16	Hex. Socket HD Cap Bolt	7	
3	DJ 1410 56	Fuel Cock (Export Market)	1	
	JD 1716 02	Tap fuel (Iran export)	1	For ABS Model
4	DD 1412 27	Bolt Flanged	2	
5	39 0740 11	Plain Washer	2	
6	DK 2010 65	Tank Unit	1	
	DK 2011 61	Sensor level fuel	1	For ABS Model
7	39 2758 21	Gasket Fuel Gauge	1	
	JH 1710 17	Gasket Fuel Gauge	1	For Half fairing
8	KC GA05 05	Nut Hex Flanged	4	
9	JC 1410 28	Tube Fuel	1	
10	BA 1220 03	Pipe Clip	1	
11	DH 1410 24	Drain Tube	1	
12	DK 1810 48	Clamp	1	
	DJ 1410 02	Clamp drain pipe	1	For Half fairing
13	DH 1410 20	Seat Tape	1	
14	DJ 1410 72	Tube Tank To T Connector	1	
15	JC 1410 34	Spring drain pipe	1	(N.I.) For Half fairing

Fittings Petrol Tank Spoiler, Side Cover & Cover Seat



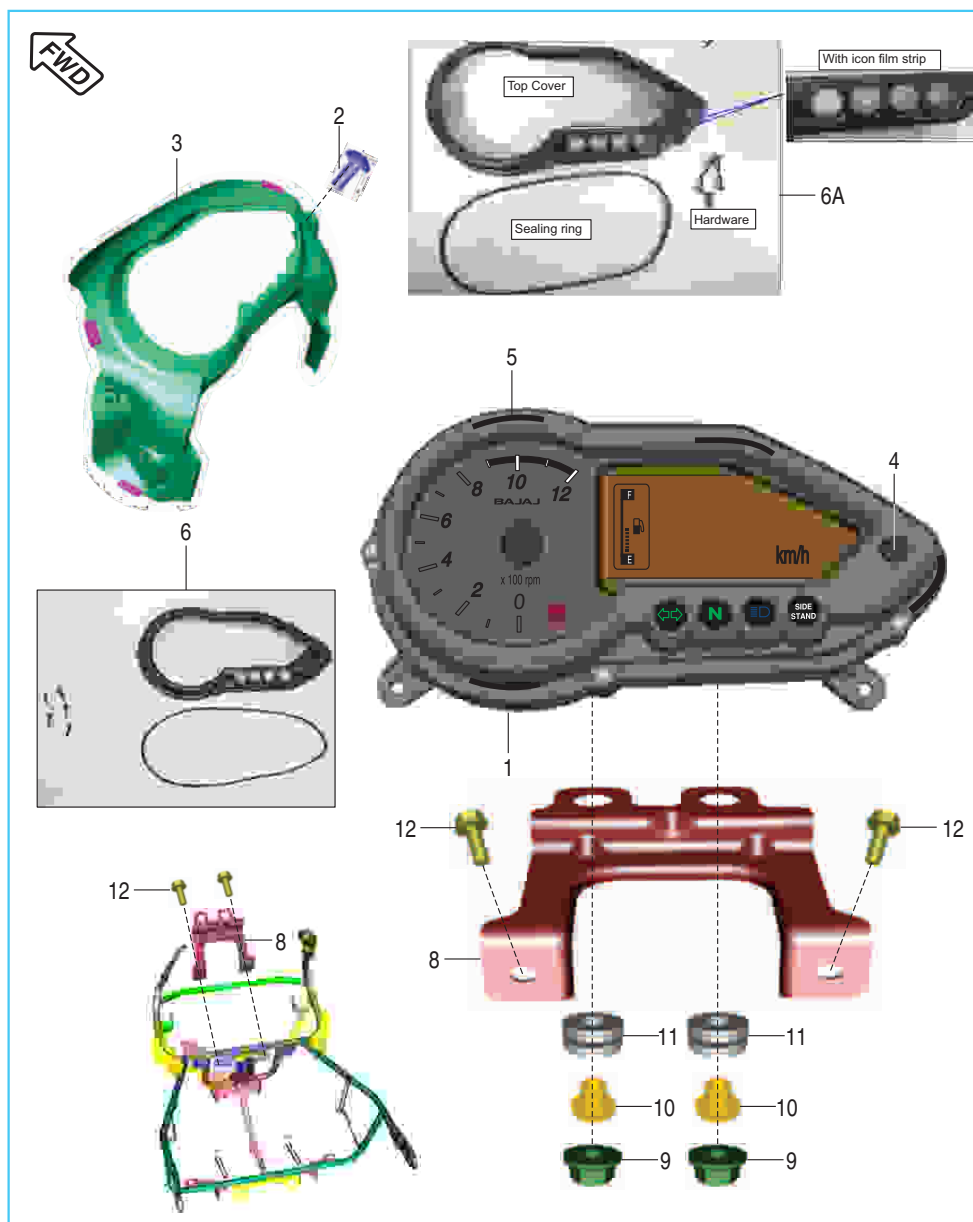
No.	Part No.	Description	Qty.	Remarks
1	DH 1611 33	Grommet Kit For Side Cover	2	
2	JW 1710 07	Dual Lock Tape 3M - SIZE 15 x 20	2	
3	39 1943 04	Bolt Flanged M6	2	
	KA DT06 14	Bolt flanged - M6 x 1 x L14	2	For Half fairing
	KA DS05 10	Bolt flange - M5	2	For ABS Model
4	39 2424 11	Plain Washer	1	
5	39 1556 04	Flange Bolt	1	
	KA DD08 16	Bolt flanged	1	For ABS Model
6	DH 1410 23	Damper Rear	1	
7	DJ 1410 08	Damper Front	2	
8	39 1943 04	Flanged Bolt M6	2	
	KA DD06 22	Bolt flanged	2	
9	DK 1611 23	Cover Side Mesh LH	1	
10	DK 1611 24	Cover Side Mesh RH	1	
11	59 0200 01	Self Tap Screw	6	
12	31 1610 18	Damper	2	
13	JW 1710 07	Dual Lock Tape 3M - SIZE 15 x 20	2	
14	JC 1410 15	Grommet Tank Cover	2	
15	JC 1410 17	Grommet II Tank Cover	2	
16	JC 1410 16	Collar Tank Cover	2	
17	DK 1410 17	Damper Tank Middle	1	
18	DK 1410 15	Tank Pad	1	
19	DK 1611 71	Rubber Flap For Seat Cowl LH	1	
20	DK 1611 72	Rubber Flap For Seat Cowl RH	1	
21	DH 1611 58	Grommet Side Cover RR	4	
21A	JZ 1711 24	Grommet	2	For ABS Model
22	DH 1612 31	Lock Side Cover	1	
23	DJ 1410 61	Beeding tank flap	2	(N.I.)
24	JC 1410 55	Foam strip 15 x 25	2	(N.I.)
25	39 1789 24	Washer nylon	1	
26	DG 1611 21	Screw	1	
27	LD B000 23	Washer plain	2	

Seat Assembly & Seat Lock



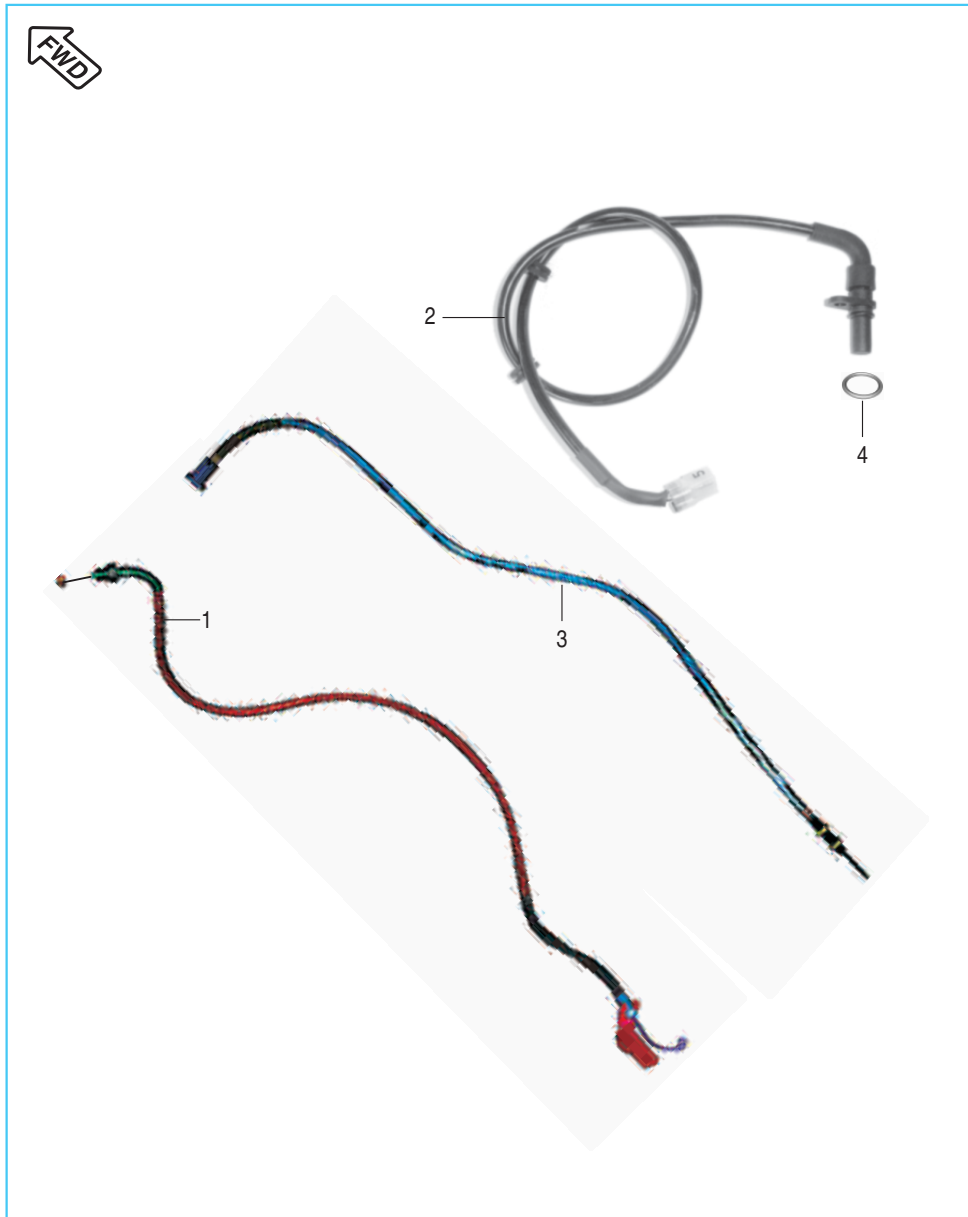
No.	Part No.	Description	Qty.	Remarks
1	DK 2110 12	Seat Assembly Complete front	1	
2	DK 2110 07	Damper Seat Front	1	
3	DK 2110 09	Damper For Seat	6	
4	DH 1610 46	Lock Assembly Seat front	1	
5	DK 2110 14	Seat Assembly Comp rear	1	
6	DD 2110 03	Bracket Lock	1	
7	KA DD06 22	Bolt flanged	2	
8	DS 2110 04	Damper seat I	2	
9	DH 1612 33	Reinf. Seat Lock	1	
10	DK 1614 22	Bracket Seat Lock - Front Loose	1	
11	DK 2110 08	Lock assembly rear seat	1	
12	DS 1611 56	Plug seat lock cable	2	

Speedometer Assembly



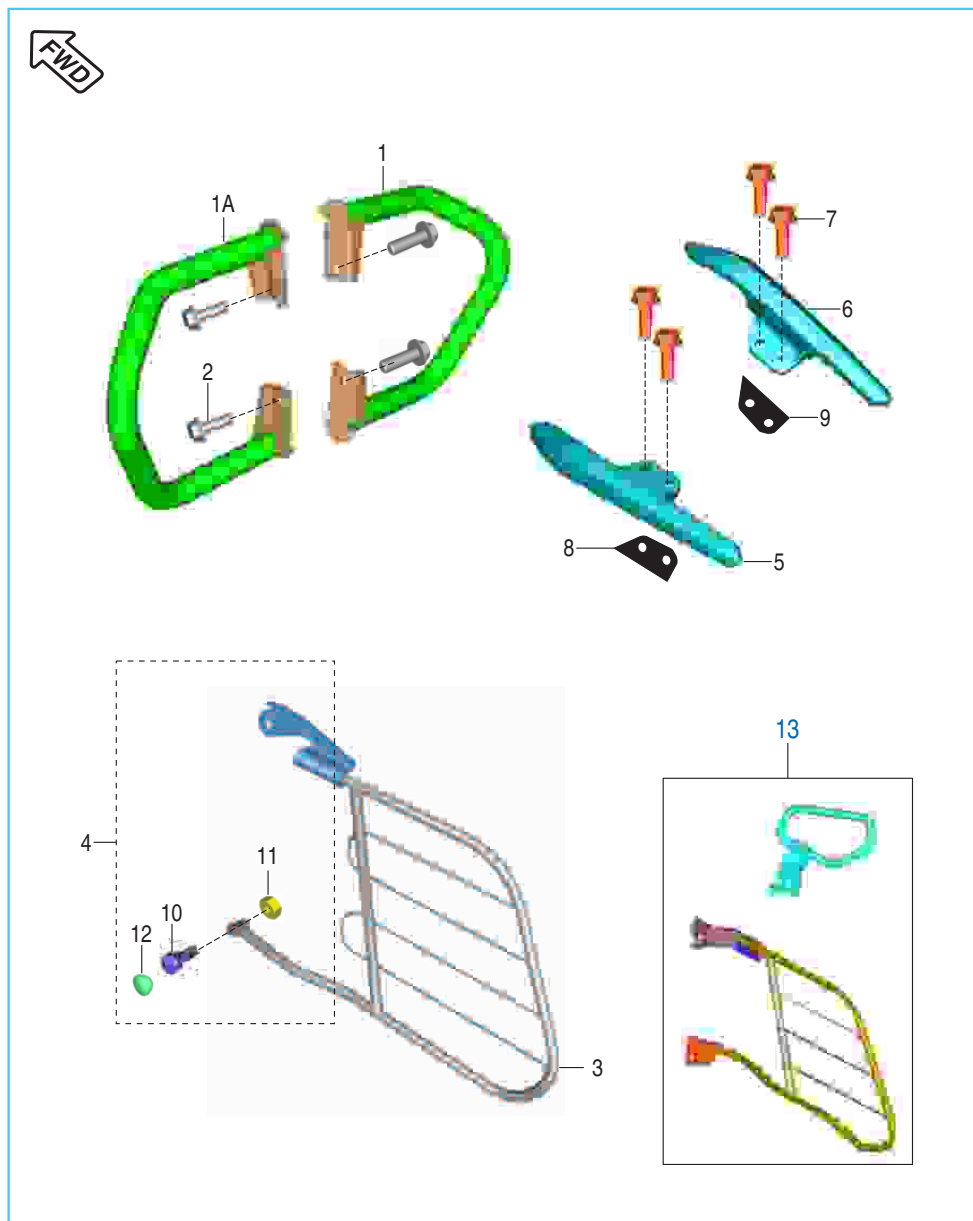
No.	Part No.	Description	Qty.	Remarks
1	DJ 1910 85	Speedometer Assembly	1	
	DJ 1910 89	Speedometer	1	For Half fairing
	DJ 1910 91	Speedometer ABS	1	For ABS Model
2	39 1778 02	Self Tapping Screw	4	
3	DJ 1811 19	Speedo Meter Cover	1	
4	DJ 2011 74	Trip Meter Knob	1	
5	DK 1612 09	Tape I	4	
6	YD H190 02	Top Cover With Sealing Ring	1	
6A	YD K080 01	Top cover & 'O' ring	1	For ABS Model
7	DJ 2011 37	Dust Cover - Speedo Harness Coupler	1	N.I.
8	DK 1613 23	Bracket speedometer support	1	For Half fairing
9	39 1970 15	Nut Flange M8 (fairing Fit.)	4	
10	DK 1613 24	Sleeve Speedometer Support	2	
11	DK 1610 81	Grommet Speedo Bracket	2	
12	LA D000 77	Bolt flanged M6 x 16	2	For Half fairing
	KA DD08 35	Bolt flanged	2	For ABS Model

Cables



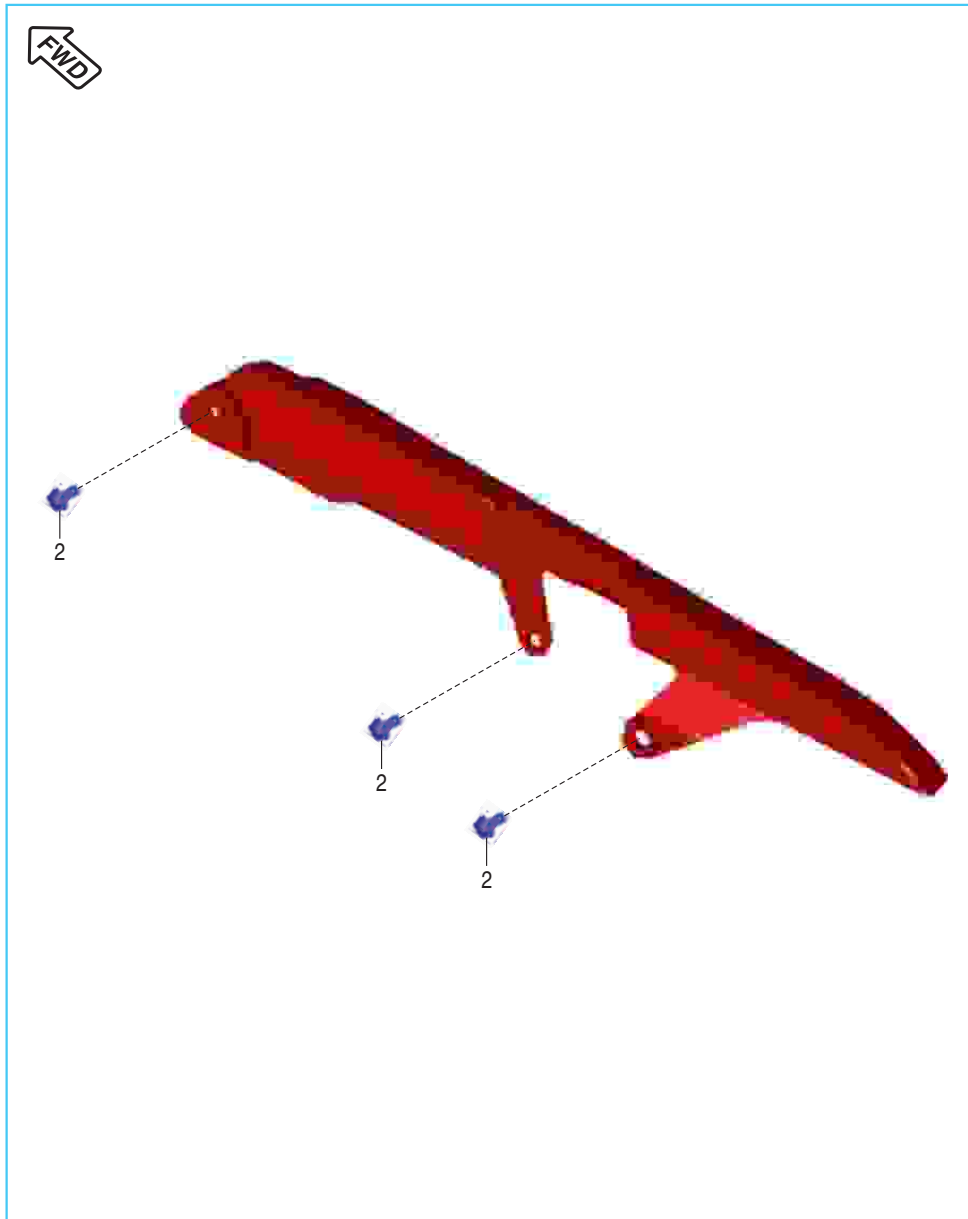
No.	Part No.	Description	Qty.	Remarks
1	DJ 1910 61	Cable Accelerator	1	
	DJ 1910 90	Cable throttle	1	For Half fairing
2	JC 2010 43	Assembly Speedo Sensor Cable	1	
3	JC 1910 04	Cable Clutch	1	
4	59 2100 19	'O' Ring	1	

Leg Guards, Saree Guard & Grab Handle



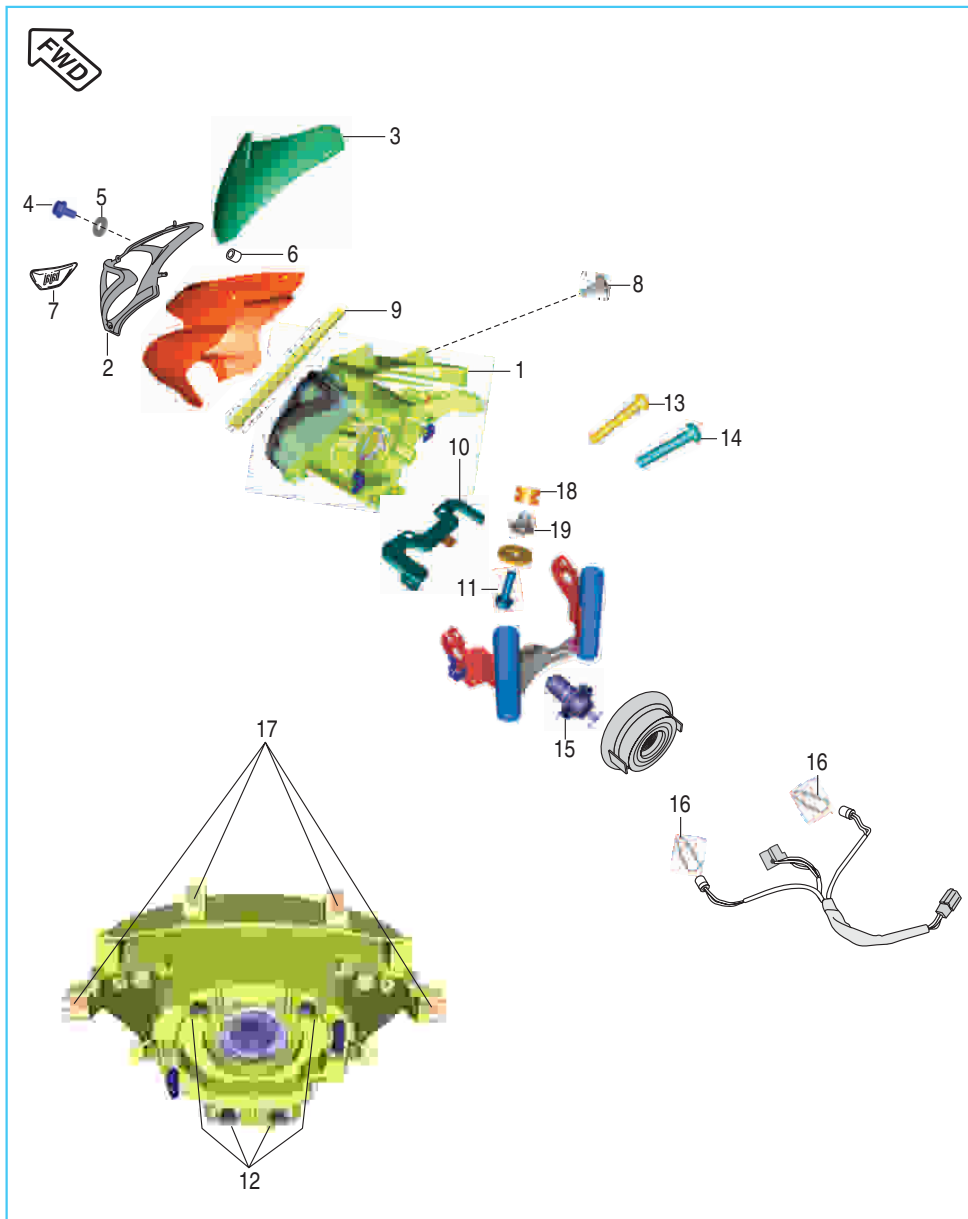
No.	Part No.	Description	Qty.	Remarks
1	DJ 2210 21	Leg Gaurd RH	1	
1A	DJ 2210 20	Leg Gaurd LH	1	
2	39 2310 04	Flange bolt	4	
	KA DA08 14	Flange bolt	4	For Half fairing
3	DK 1611 76	Sari Guard Assly.	1	
4	36 DK00 23	Kit hardware saree guard	1	
5	DK 1612 17	Grab handle LH	1	
	56 DJ5U 9J	Grab handle LH satin red	1	For Half fairing
	56 DJ5U 6E	Grab handle LH platinum silver	1	For Half fairing
	56 DJ5U 63	Grab handle LH sporty orange	1	For Half fairing
6	DK 1612 18	Grab handle RH	1	
	56 DJ5V 9J	Grab handle RH satin red	1	For Half fairing
	56 DJ5V 6E	Grab handle RH plat silver	1	For Half fairing
	56 DJ5V 63	Grab handle RH sporty orange	1	For Half fairing
7	39 1681 04	Bolt Flange	4	
	KA DD08 25	Bolt Flanged	4	For ABS Model
	KA DF08 25	Bolt Flanged	4	For Half fairing
8	DJ 1610 79	Foam LH For grab	1	
9	DJ 1610 80	Foam RH For grab	1	
10	39 1608 04	Hex Socket Hd Bolt - M10	1	
	LA D001 31	Bolt flanged - M10 x 1.5 x L50	1	For Half fairing
11	39 0296 15	Hexagon Nut - M10	1	
12	DD 2210 03	Plug	1	
13	36 DJ40 88	Kit Saree Guard + Grab + Fitting	1	Refer Kit List

Chain Case



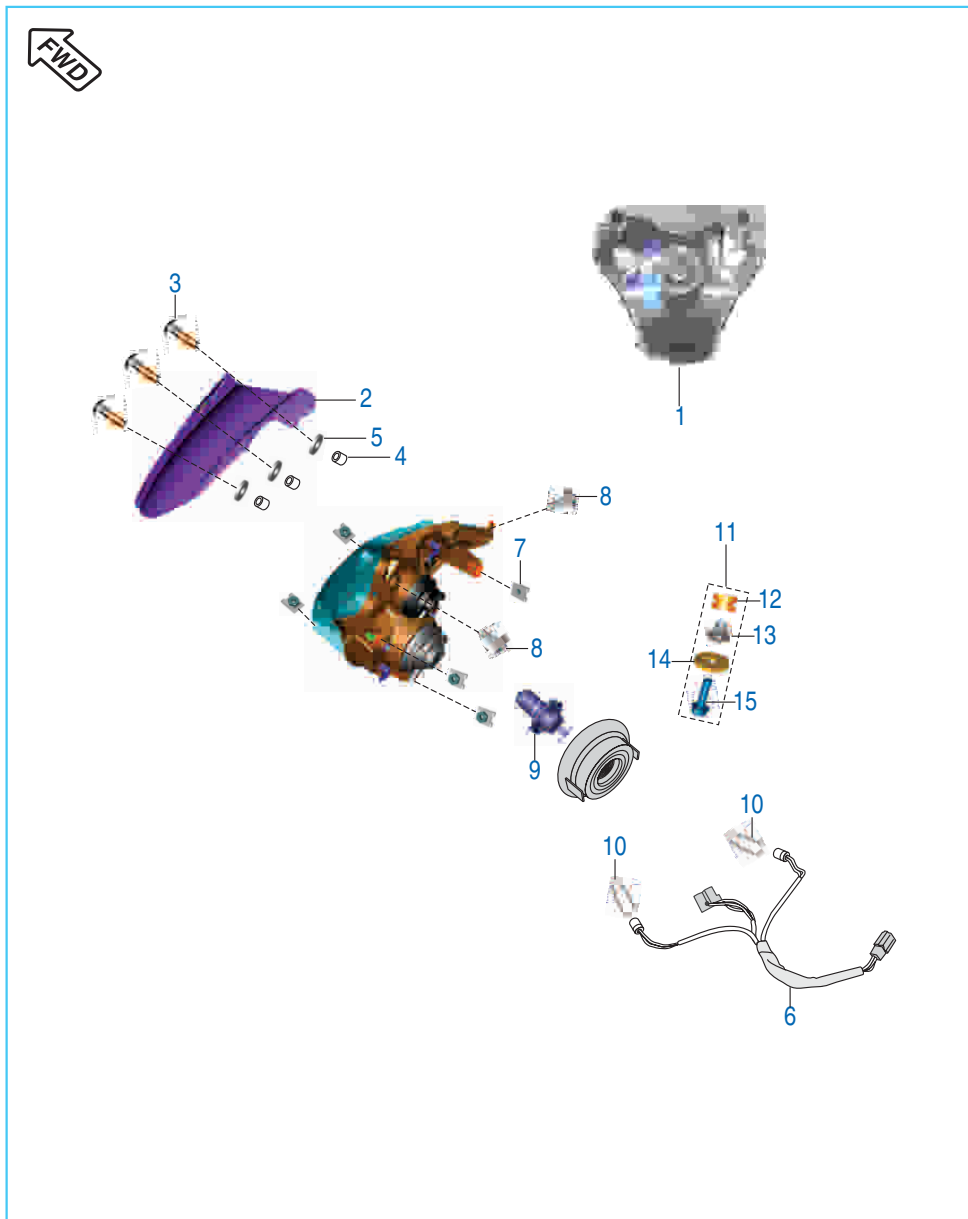
No.	Part No.	Description	Qty.	Remarks
1	DK 1612 50	Cover chain integral	1	
2	39 1680 04	Bolt (Small)	3	
	DS 1612 24	Bolt - stepped with flange	3	For ABS Model

Head Lamp & Fairing



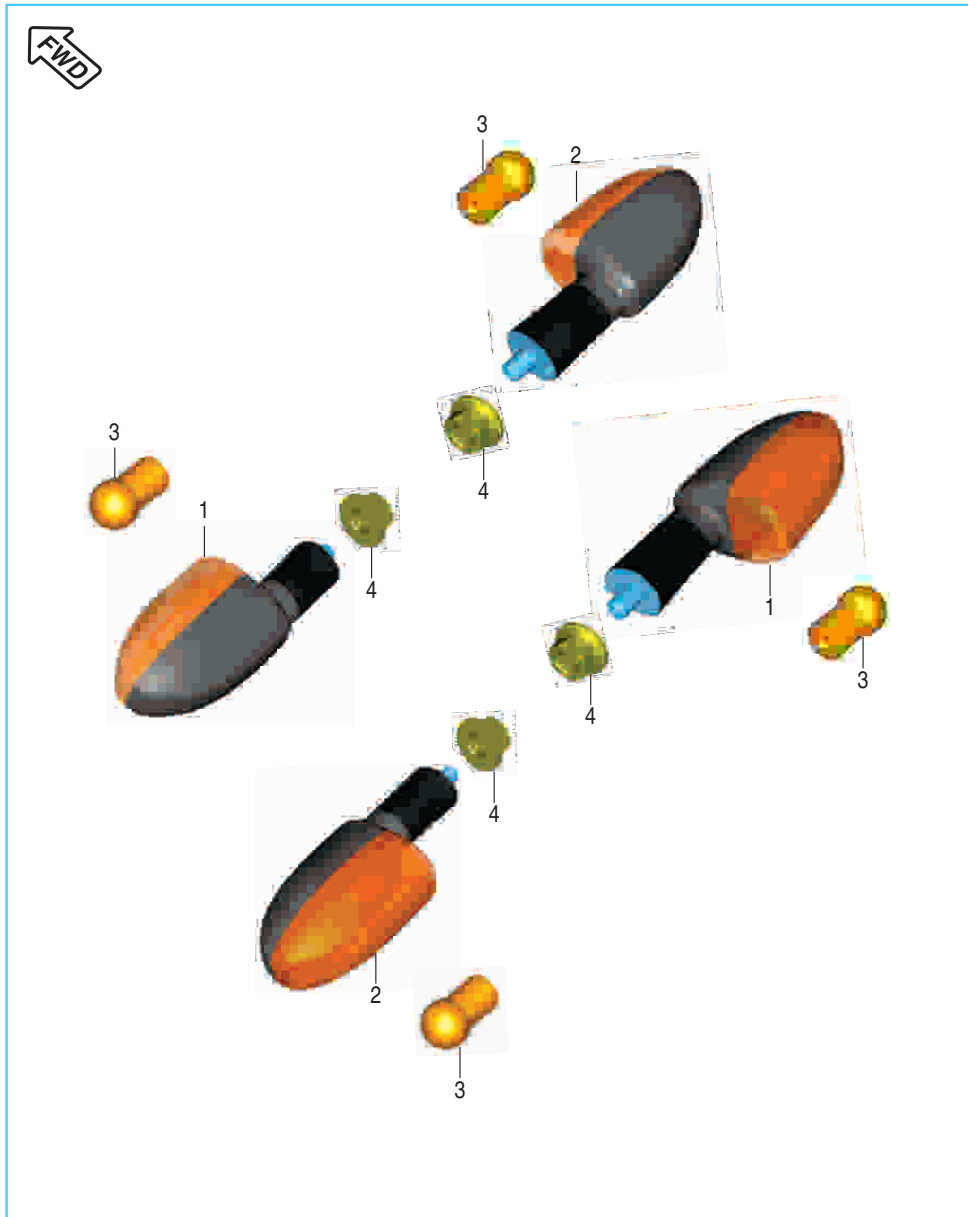
No.	Part No.	Description	Qty.	Remarks
1	DJ 2011 76	Head Lamp Without Bulb	1	
	YD H190 01	Head Lamp Without Bulb	1	
2	DJ 1811 20	Head Lamp Mask	1	
3	DJ 1810 33	Wind Shield	1	
4	DF 1810 98	Bolt	4	
5	39 2141 24	Washer Nylon	4	
6	DL 1810 10	Well Nut	4	
7	DJ 1810 37	Decal Wind Shield	1	
8	39 1907 01	Mushroom Head Screw	2	
9	DJ 1810 69	Packing Fairing	1	
10	DH 1810 52	Fairing Mounting Upper Bracket	1	
11	KA DD06 25	Bolt Flanged	2	
12	DJ 1810 65	Clip Nut	4	
13	DJ 1811 30	Screw Pan Cross	2	
14	39 1524 01	Screw Pan Cross	2	
15	CL 2010 23	Lamp 12V 35/35W-HS1	1	
16	DJ 2010 72	Lamp - Position 12V / 5W	2	
17	DJ 1612 29	Clip nut M5	4	
18	DJ 1810 64	Grommet Fairing Mounting	2	
19	30 2110 05	Collar Fairing Mounting	2	

Head Lamp Assembly - For Half fairing Model



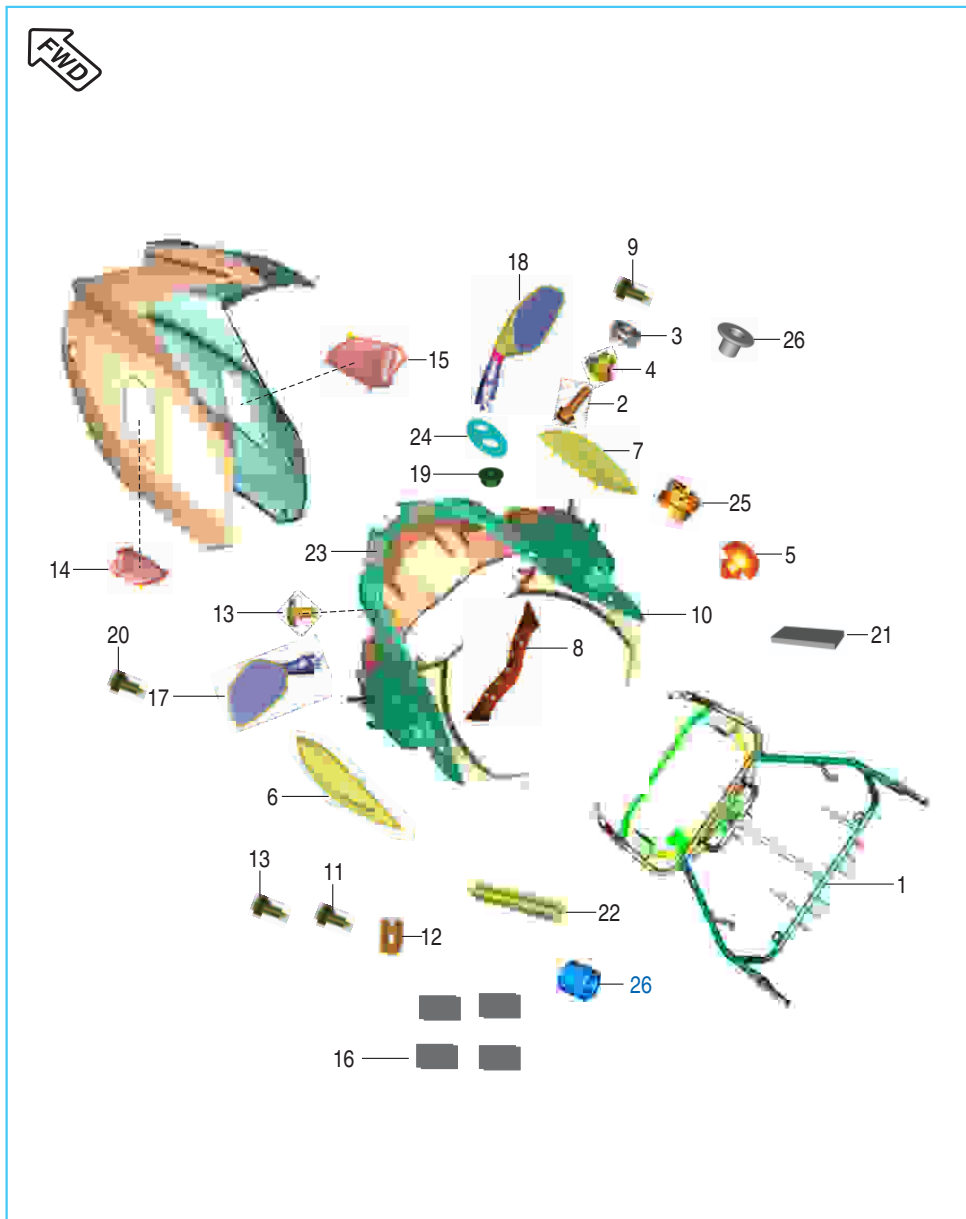
No.	Part No.	Description	Qty.	Remarks
1	DK 2011 19	Head Lamp Assly. without bulb	1	
2	DK 1610 69	Wind Shield	1	
3	DK 1611 51	Screw Cross Recessed	6	
4	DL 1810 10	Well Nut	6	
5	39 2141 24	Washer Nylon	6	
6	DK 2011 17	Wiring harness for HL	1	
7	DJ 1810 65	Clip Nut	5	
8	KB UF05 16	Screw truss - M5 x 0.8 x L16	2	
9	DK 2010 43	Headlight bulb	2	
10	DL 1910 20	Lamp - 12V / 3W	2	
11	36 DK00 21	Kit hardware mtg. bracket	1	Refer Kit Details
12	DJ 1810 64	Grommet Fairing Mounting	3	
13	DJ 1810 29	Collar Fairing Mounting	3	
14	39 0711 11	Washer Plain	3	
15	KA ED06 20	Bolt - Flanged - Small	3	

Indicator Light Assembly



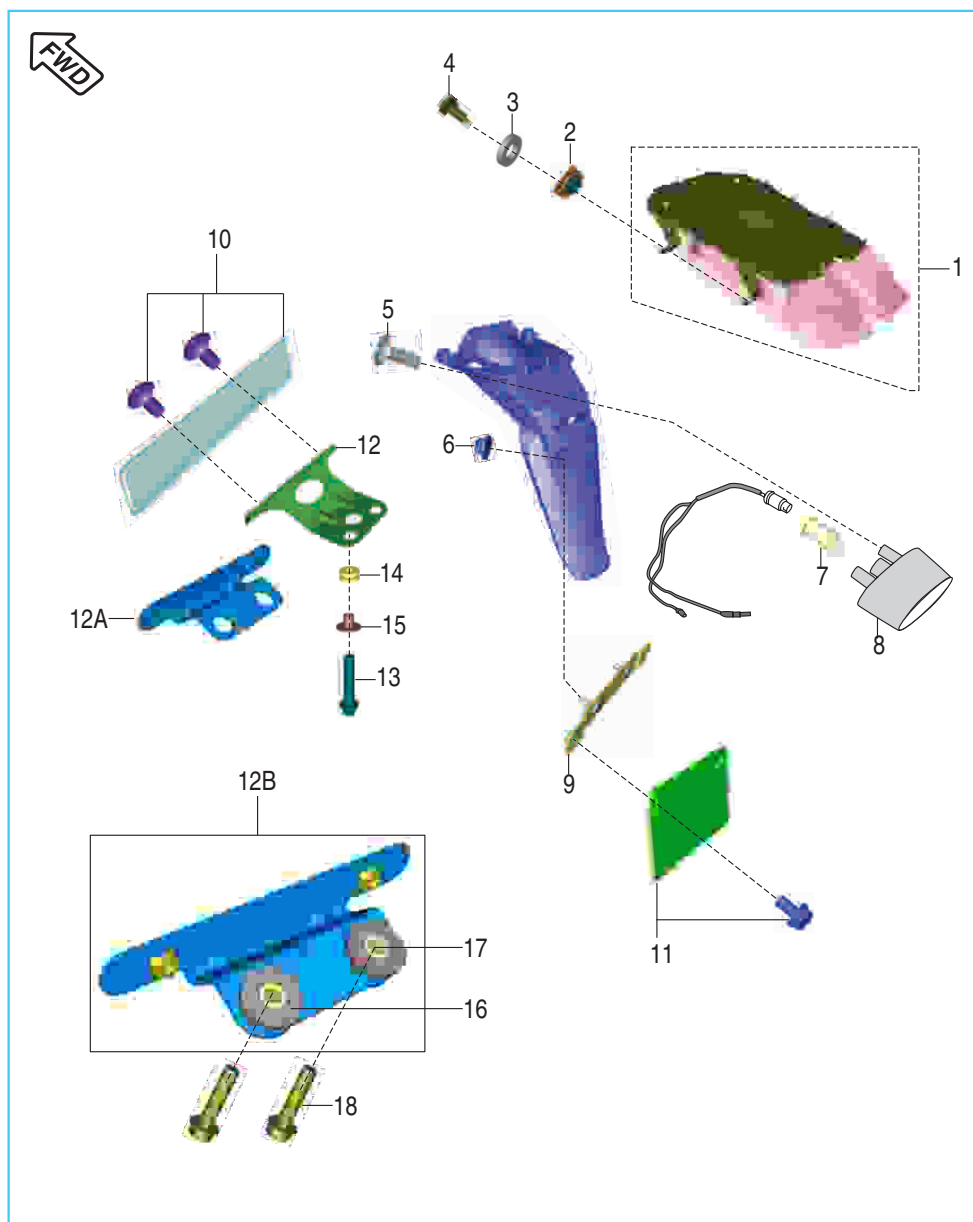
No.	Part No.	Description	Qty.	Remarks
1	DJ 2012 07	Blinker RR RH With 2P Coupler	2	
2	DJ 2012 06	Blinker RR LH With 2P Coupler	2	
3	GH 2010 12	Lamp 12V / 10W	4	
4	39 1225 15	Hex Nut Flange	4	
	LC L000 01	Nut hex flange - M10 x 1.25	4	For Half fairing

Fairing & Mounting - For Half Fairing Model

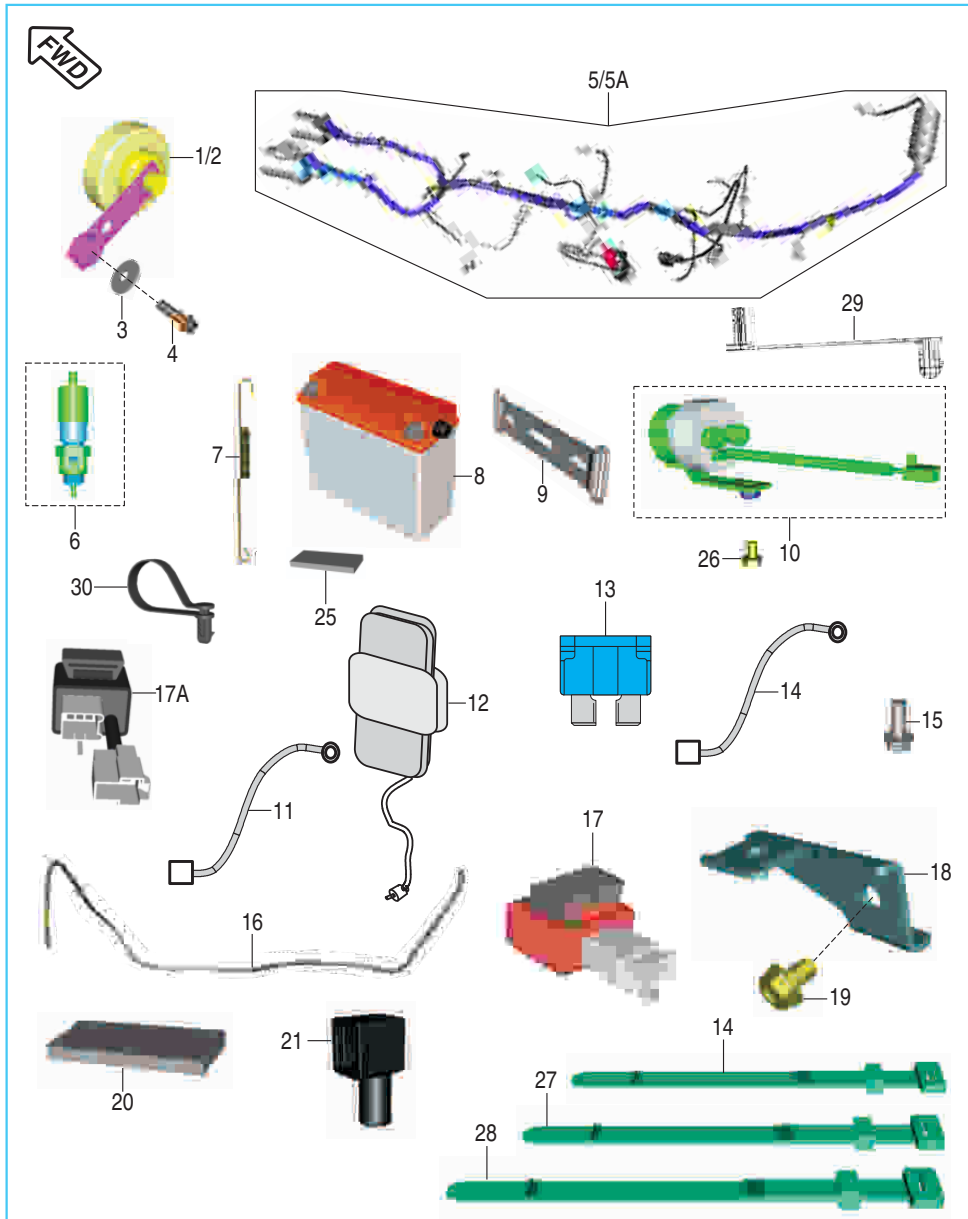


No.	Part No.	Description	Qty.	Remarks
1	DK 1613 17	Fairing Structure Assembly	1	
2	KA DD08 22	Flange bolt	2	
	KA ED06 12	Bolt flanged small	2	For ABS Model
3	DK 1610 81	Rubber grommet Fairing mtg.	2	
4	DK 1613 24	Sleeve speedometer support	2	
5	DK 1611 26	Damper for fairing	8	
6	DK 1610 70	Fairing Air Intake LH	1	
7	DK 1610 71	Fairing Air Intake RH	1	
8	DK 1610 72	Fairing Under Cover	1	
9	59 0200 01	Self Tapping Screw	4	
10	DK 1610 73	Fairing Back Cover	1	
11	39 1778 02	Self Tapping Screw For Speedo	4	
12	DJ 1612 29	Clip nut	8	
13	DK 1612 12	Screw mashroom HD for fairing	8	
14	DK 1610 76	Fairing Mesh LH	1	
15	DK 1610 77	Fairing Mesh RH	1	
16	JN 1810 31	Foam Fairing	4	
17	DK 2210 14	Mirror Assembly LH	1	
18	DK 2210 15	Mirror Assembly RH	1	
19	DK 2210 01	Nut for mirror	4	
20	DK 1611 51	Screw Cross Recessed	6	
21	DK 1612 10	Tape II	8	
22	DK 1810 74	Beading	1	
23	DK 1612 09	Tape I	4	
24	DK 1611 25	Rubber For Mirror	2	
25	DJ 1810 64	Grommet Fairing Mounting	5	
26	DJ 1810 29	Collar Fairing Mounting	5	

Tail Lamp Assembly & Front / Rear Number Plate



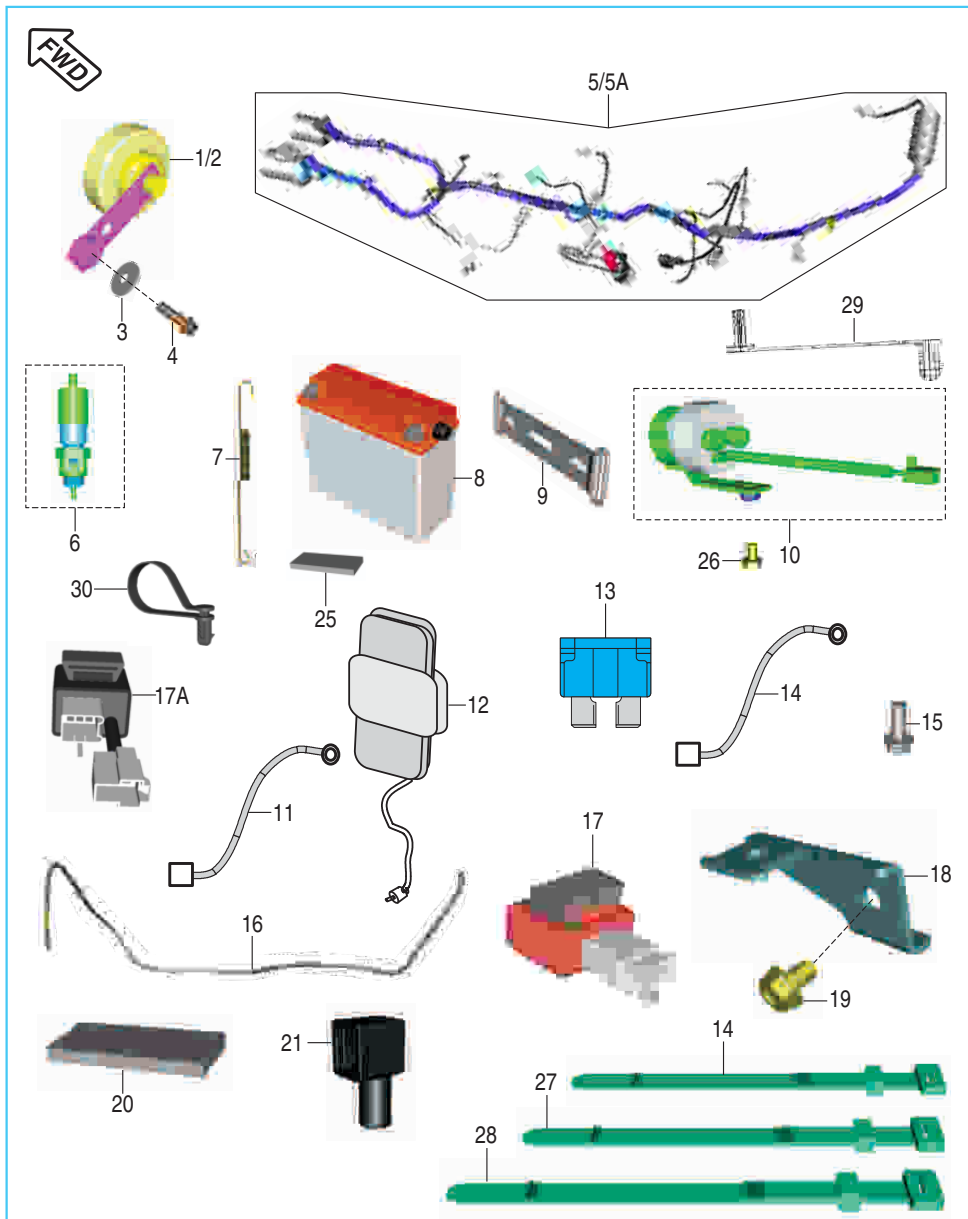
No.	Part No.	Description	Qty.	Remarks
1	DK 2010 03	LED Tail Lamp Assembly	1	
2	DK 1611 53	Clip Nut	4	
3	39 2451 11	Plain Washer	4	
4	59 0100 13	Screw Pan Cross	4	
	KB BA04 16	Screw pan cross	4	For Half fairing
5	39 1907 01	Truss Screw	2	
	KB UF05 16	Screw truss - M5 x 0.8 x L16	2	For Half fairing
6	39 1972 15	Nut Flange	2	
	KC GA06 06	Nut hex flanged	2	For Half fairing
7	DJ 2010 72	Lamp 12V - 5W	1	
	DL 1910 20	Lamp 12V / 3W	1	For Half fairing
8	JW 4010 11	Number Plate Illumination	1	
9	DJ 1610 72	Rear Number Plate Bracket	1	
	PA 2328 06	Bracket plate number rear	1	For ABS Model
10	36 DH40 96	Kit Front Number Plate	1	
11	36 PD00 56	Kit Rear Number Plate	1	
12	JC 1810 26	Number Plate Mounting Bracket	1	
12A	DK 1614 83	Bracket Plate Number Front	1	For ABS Model
12B	DS 1810 68	Bracket assembly plate number	1	For Half fairing
13	KA DD06 25	Bolt Flange	2	
14	DH 1612 93	Grommet For Number Plate Mounting	2	
15	30 2110 05	Collar	2	
16	DD 2010 11	Damper	2	For Half fairing
17	DJ 1810 83	Sleeve	2	For Half fairing
18	KA DD06 22	Bolt flanged	2	For Half fairing



Electrical Equipments

No.	Part No.	Description	Qty.	Remarks
1	DK 2010 37	Horn With LH Stay	1	
2	DK 2010 38	Horn with RH stay	1	
3	39 1507 11	Plain Washer	2	
	LD B000 21	Washer plain	2	For Half fairing
4	39 1956 04	Flange Bolt	2	
	KA ED08 20	Flange Bolt	2	For Half fairing
5	DJ 2012 60	Wiring Harness UG	1	
5A	DJ 2012 61	Wiring Harness UG	1	AHO Model
	DJ 2012 64	Harness wiring	1	For Half fairing
	DJ 2012 65	Harness wiring ABS	1	For ABS Model
6	31 2010 79	Rear Brake Switch	1	
7	DK 1910 14	Spring Rear Brake Switch	1	
8	DJ 2011 25	Battery (12V-9A) MF WET	1	
	DJ 2012 40	Battery 12V 9AH MF WET charged	1	For Half fairing
9	DJ 1612 47	Band Battery	1	
10	DK 2010 78	Starter Relay With Nut	1	
11	DJ 2011 40	Cable Assembly (Battery To Earth)	1	
12	GF 2010 36	Fuse Box Assembly	1	
13	30 2010 85	Fuse 15A	2	
	AH 4022 86	Fuse 7.5A	2	For ABS Model
	DT 4022 27	Fuse 5A mini	2	For ABS Model
	JG 4022 28	Fuse mini 10A (Blade type)	2	For ABS Model
	AK 2010 12	Fuse 10A	2	For ABS Model
	AP 2010 25	Fuse 15A blade type	3	For Half fairing
14	30 1910 48	Band	5	

Electrical Equipments



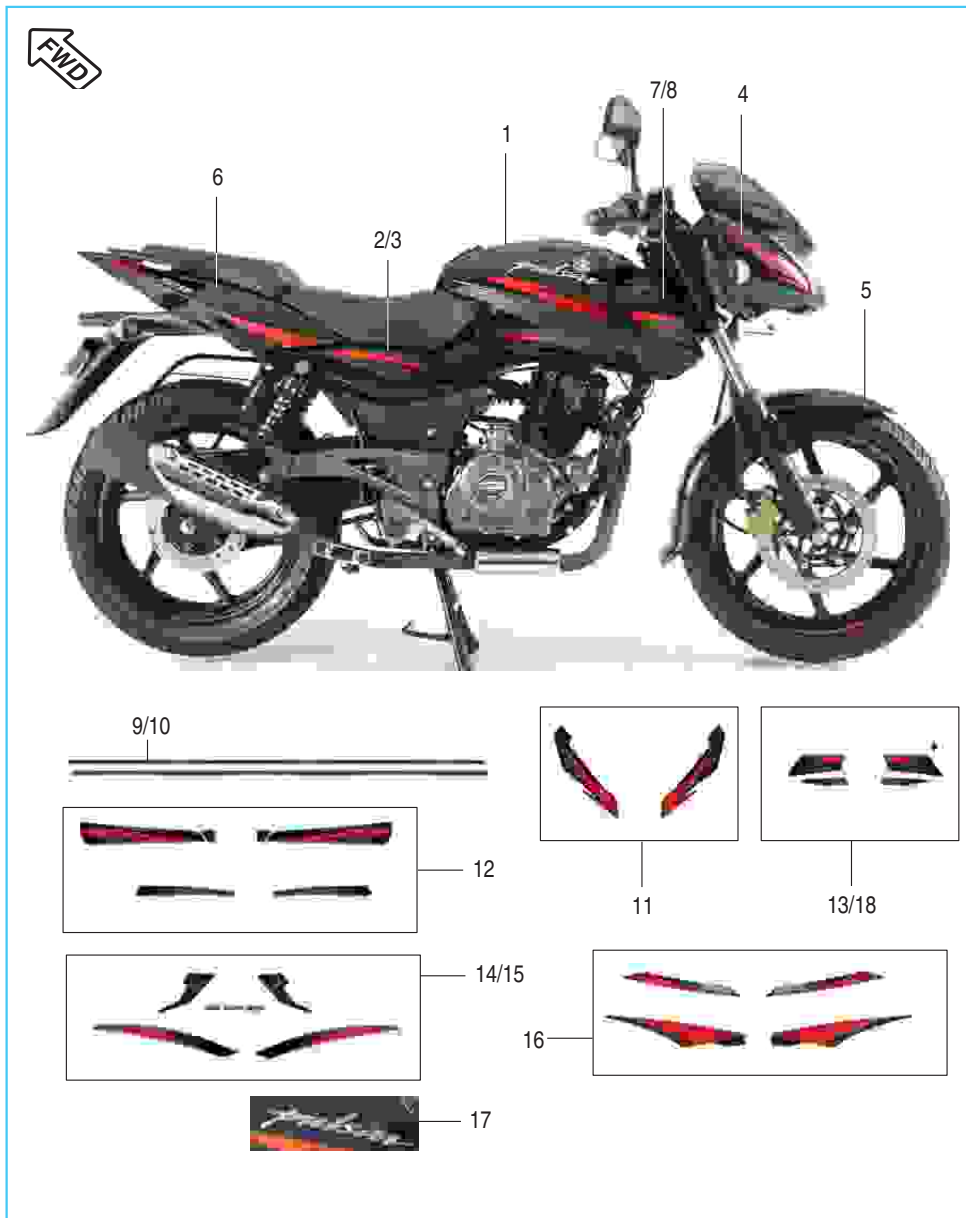
No.	Part No.	Description	Qty.	Remarks
15	39 1680 04	Flange bolt	1	
16	JC 2010 27	Cable Assembly St. Motor to St. Relay	1	
17	DS 2010 25	Assembly DC Flasher	1	
17A	JL 4020 04	Light Control Module	1	AHO Model
	DT 4020 06	Light Control Module (Bulb)	1	For Half fairing
18	DJ 1613 27	Bracket LCM Unit (Vehicle without BCU)	1	
19	KA DF06 10	Flange Bolt (Vehicle without BCU)	1	
	KA DD06 08	Bolt flanged	1	For ABS Model
20	JG 4018 08	Foam Battery Bracket 35 x 15 x 3	3	
21	AB 2010 17	Cap (Battery)	1	
22	DJ 1610 07	Rubber pad II battery bracket	2	For ABS Model
23	30 2010 64	Band	7	(N.I.) For ABS Model
24	JD 4018 06	Tube drain 530 MM	1	
25	DJ 1610 06	Foam	1	
26	KA DD06 10	Bolt flanged	1	For Half fairing
27	JD 4022 17	Band (L 150mm)	1	
	JD 4022 17	Band (L 150mm)	7	For Half fairing
28	JD 4022 12	Band (L 200mm)	4	
29	DK 2010 49	Clamp harness (Strip Clamp)	1	For Half fairing
30	DS 2010 85	Flexi band strip clamp (L = 85mm)	2	For Half fairing

Tool Kit



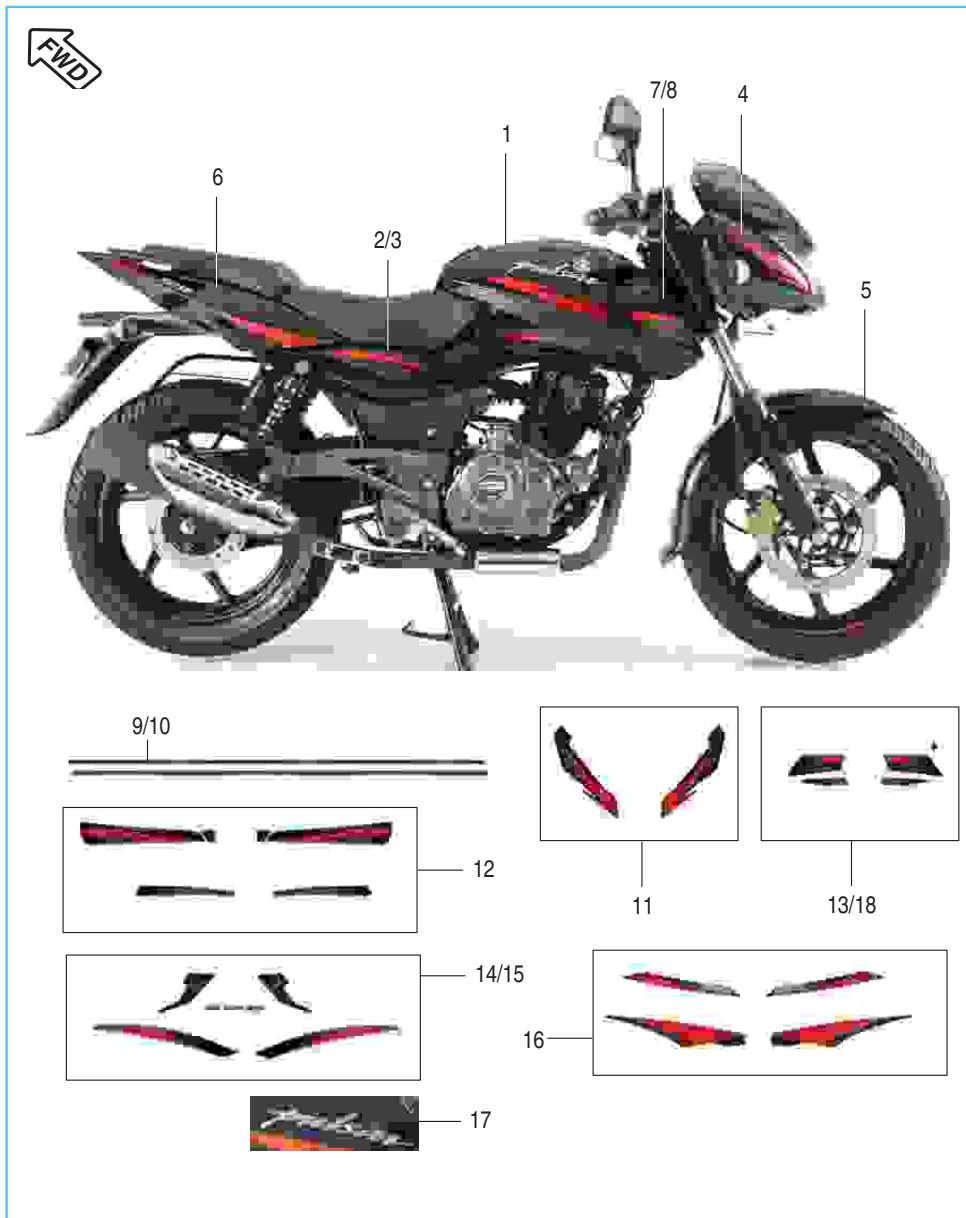
No.	Part No.	Description	Qty.	Remarks
1	DJ 2210 19	Tool Kit	1	For Half fairing
	DK 2210 11	Tool Kit	1	
2	DK 2210 24	Band Tool Kit	2	

Painted Parts & Decals



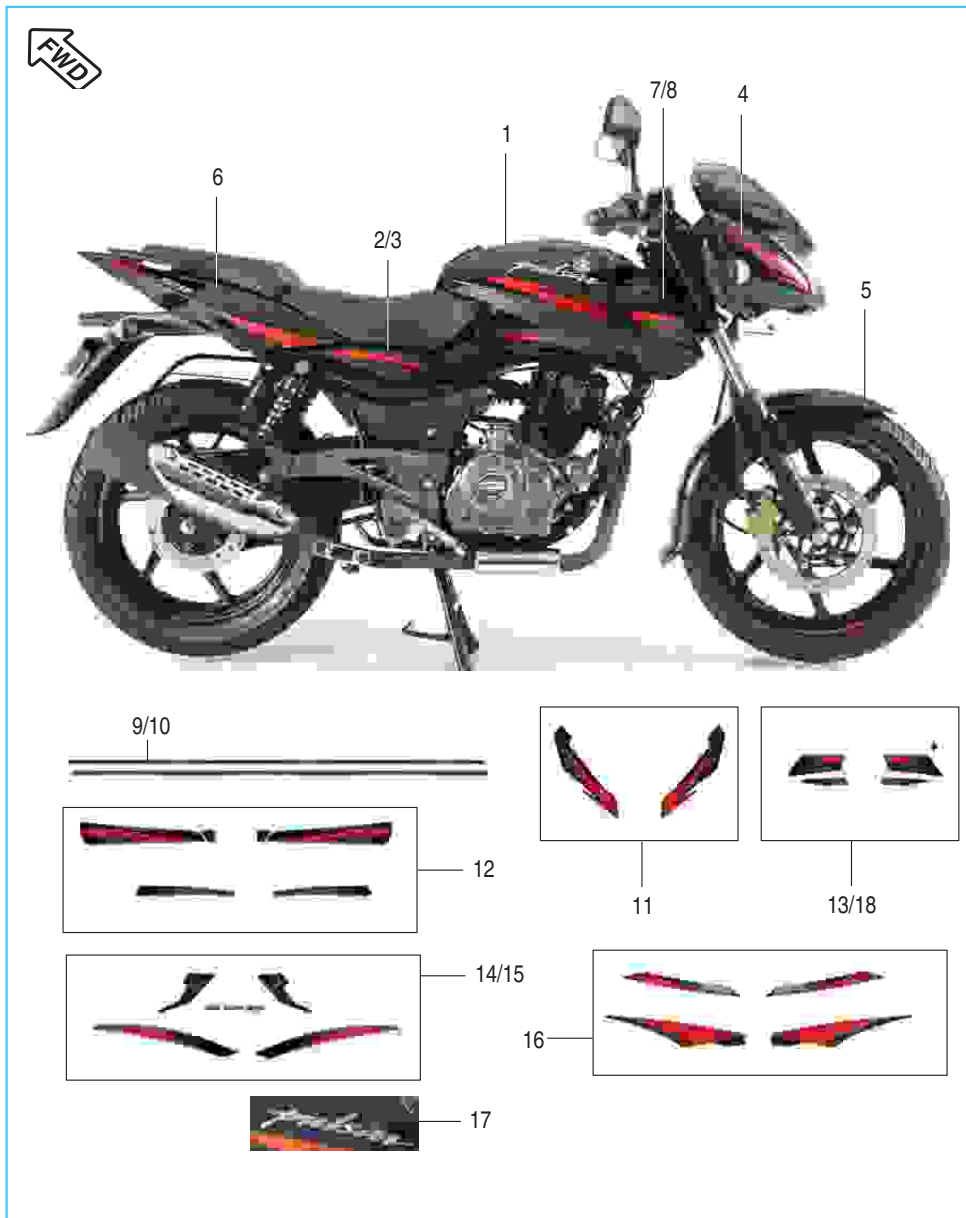
No.	Part No.	Description	Qty.	Remarks
1	52 DJ07 23	Fuel Tank Eb Blk + Dcl	1	
	52 DJ10 39	Fuel Tank BS IV Royal Blue + Decal + L	1	
	52 DJ10 95	Fuel Tank BS IV Eb Blk + New Decal	1	From April 17
	52 DJ11 19	Fuel Tank Passion Red With Decal	1	From April 17
	52 DJ10 96	Fuel Tank Royal Blue + New Decal	1	From April 17
	52 DJ10 02	Fuel tank BS IV flame red with decal	1	Flame Red
2	52 DJ09 51	Assly Cover Side LH Eb Blk	1	
	52 DJ09 56	Assly Cover Side LH Royal Blue	1	
	52 DH15 27	Side Cover LH Asly Dcl Kh. Eb. Bl	1	From April 17
	52 DH15 99	Side Cover LH Assy Passion Red	1	From April 17
	52 DH15 28	Side Cover LH Assembly Decal Royal Blue	1	From April 17
	52 DH13 68	Side cover LH assy w dkl flame red	1	Flame Red
3	52 DJ09 52	Assembly Cover Side RH Eb Blk	1	
	52 DJ09 57	Assembly Cover Side RH Royal Blue	1	
	52 DH15 29	Side Cover RH Wh Decal Khi Eb. Blk	1	From April 17
	52 DH16 00	Side Cover RH Assembly Passion Red	1	From April 17
	52 DH15 30	Side Cover RH With Decal Royal Blue	1	From April 17
	52 DH13 69	Side cover RH assy w dkl flame red	1	Flame Red
4	52 DJ09 04	Fairing Ebony Black With Dcl	1	
	52 DJ09 42	Fairing Royal Blue + Dcl	1	
	52 DH15 31	Fairing With Khi Eb. Blk Dcl	1	From April 17
	52 DH16 01	Fairing With Decal Passion Red	1	From April 17
	52 DH15 32	Fairing With Royal Blue Decal	1	From April 17
	52 DH13 70	Fairing with decal flame red	1	Flame Red
5	52 DJ05 65	Front Fender Assly Ebony Black	1	
	56 DK05 7Q	Front Fender Royal Blue	1	
	56 DK05 4R	Painted Fender Front - Passion Red	1	From April 17
	52 DJ10 13	Front fender assembly flame red	1	Flame Red

Painted Parts & Decals



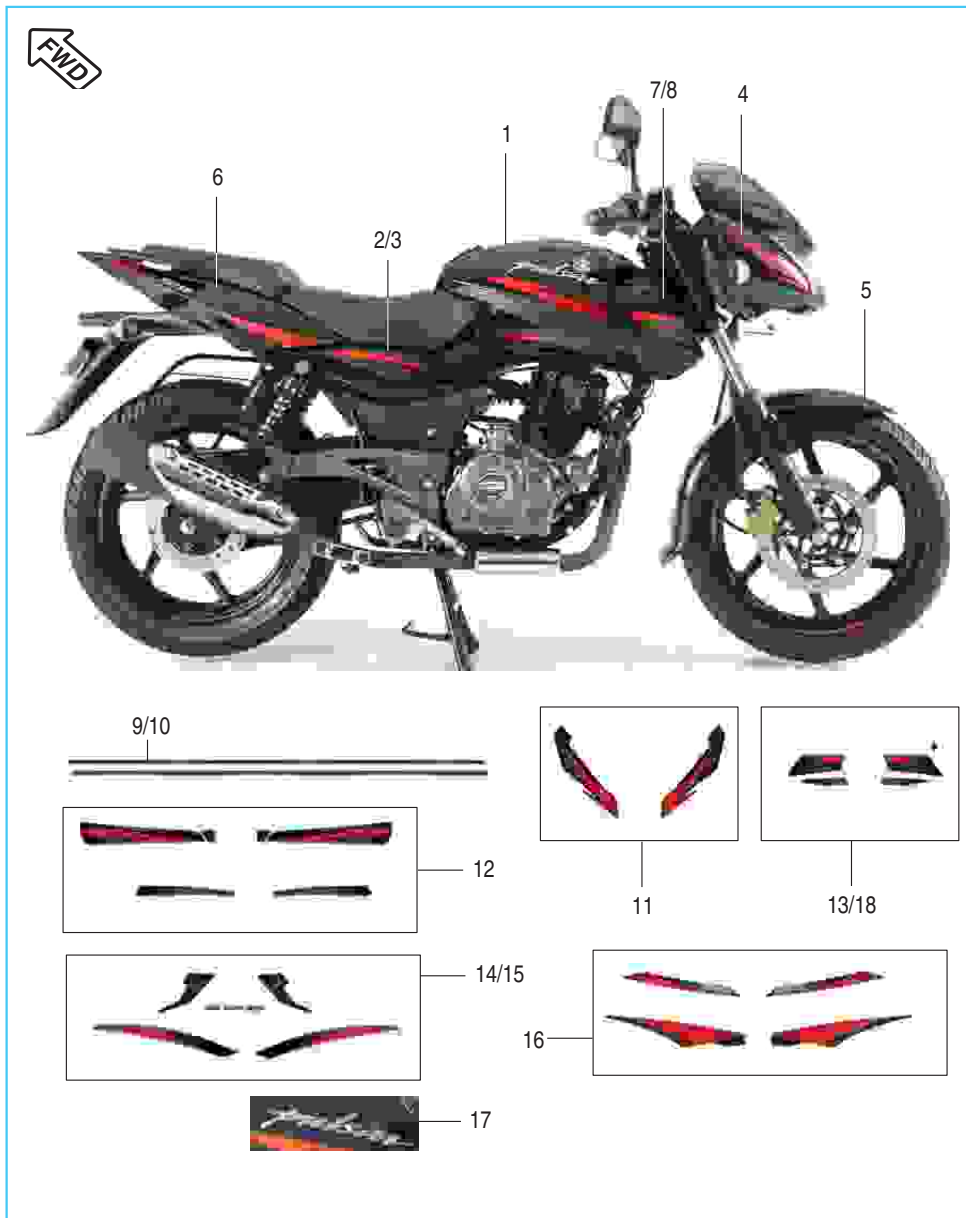
No.	Part No.	Description	Qty.	Remarks
6	52 DJ09 09	Seat Cowl Ebony Black With Dcl	1	
	52 DJ09 45	Seat Cowl Royal Blue + Dcl	1	
	52 DJ10 74	Seat Cowl Ebony Black + New Dcal	1	From April 17
	52 DJ11 15	Seat Cowl Painted With Decal	1	From April 17
	52 DJ10 72	Seat Cowl Royal Blue + New Decal	1	From April 17
	52 DJ10 01	Seat cowl flame red with decal	1	Flame Red
7	52 DJ09 05	Flap LH Ebony Black With Decal	1	
	52 DJ09 42	Fairing Royal Blue	1	
	52 DJ10 85	Flap LH Ebony Black + New Dcal	1	From April 17
	52 DJ11 17	Tank Flap LH + Decal - Passion Red	1	From April 17
	52 DJ10 89	Flap LH Royal Blue + New Decal	1	From April 17
	52 DJ09 43	Flap LH Royal Blue + Dcl	1	
	52 DJ09 99	Flap LH flame red with decal	1	Flame Red
	DH 0101 85	Decal Tank Spoiler LH Blk - Silver	1	From April 17
	DH 0102 19	Decal Spoiler Tank LH Red - Silver	1	From April 17
DH 0102 01	Decal Tank Spoiler LH Blue - Silver	1	From April 17	
8	52 DJ09 06	Flap RH Ebony Black With Decal	1	
	52 DJ10 87	Flap RH Ebony Black + New Dcal	1	From April 17
	52 DJ10 00	Flap RH flame red with decal	1	Flame Red
	52 DJ11 18	Tank Flap RH + Decal - Passion Red	1	From April 17
	52 DJ10 91	Flap RH Royal Blue + New Decal	1	From April 17
	DH 0101 86	Decal Tank Spoiler RH Blk - Silver	1	From April 17
	DH 0102 20	Decal Tank Spoiler RH Red - Silver	1	From April 17
9	DH 0101 20	Decal Wheel LH-Red	2	
	DH 0101 42	Decal Wheel LH-Blue	2	
	DH 0102 09	Decal Wheel LH Silver	2	From April 17
	DH 0101 67	Decal wheel LH-Red	4	Flame Red

Painted Parts & Decals



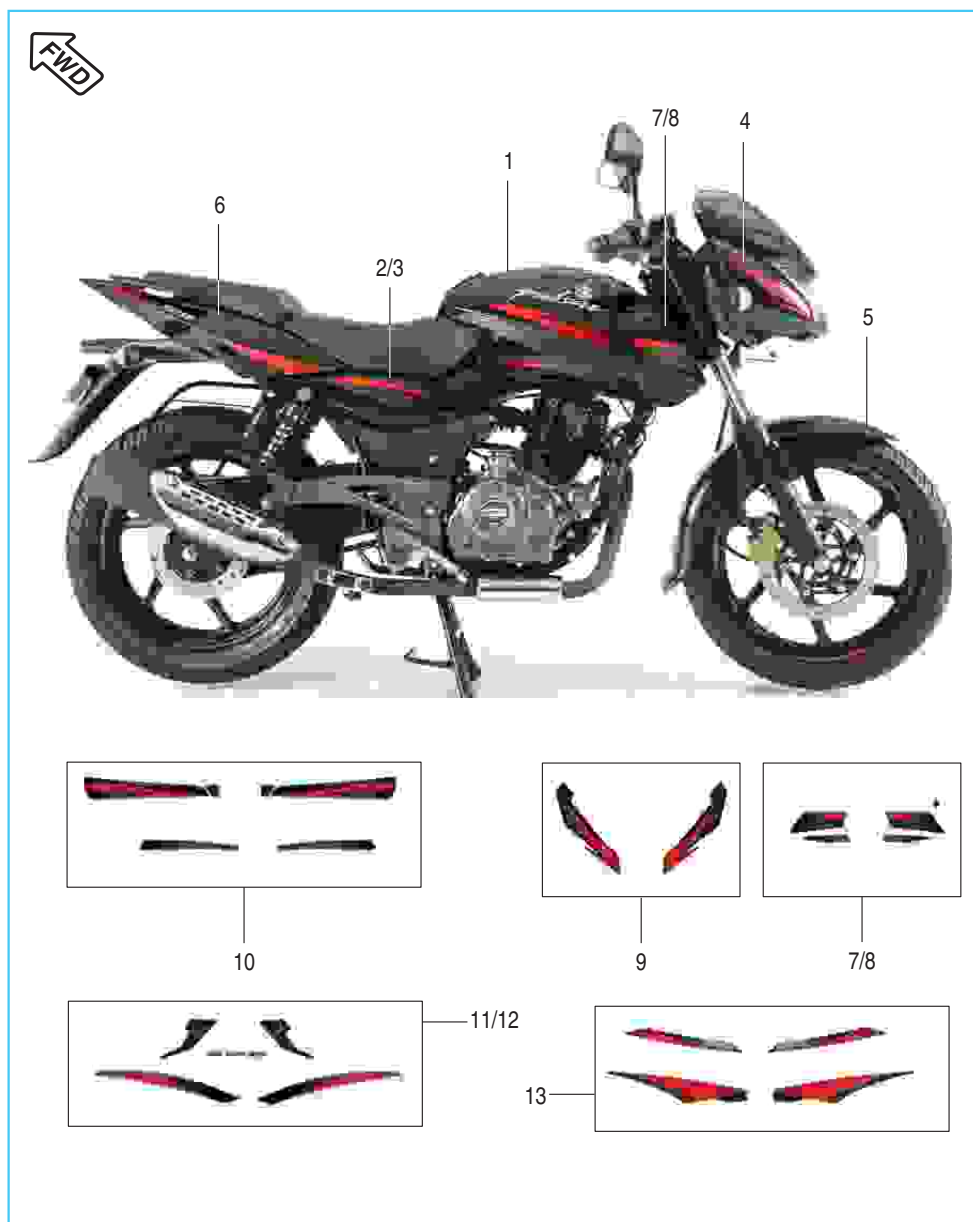
No.	Part No.	Description	Qty.	Remarks
10	DH 0101 21	Decal Wheel RH-Red	2	
	DH 0101 43	Decal Wheel RH-Blue	2	
	DH 0102 10	Decal Wheel RH-Silver	2	From April 17
	DH 0101 68	Decal wheel RH-Red	4	Flame Red
11	36 DJ40 63	Kit Fairing Decal Red	1	
	36 DJ40 69	Kit Fairing Decal Royal Blue	1	
	36 DJ40 75	Kit Decal Fairing Ebony Black	1	From April 17
	36 DH41 25	Kit Decal Fairing Passion Red	1	From April 17
	36 DJ40 78	Kit Decal Fairing Royal Blue	1	From April 17
	36 DH41 06	Kit decal fairing flame red	1	Flame Red
12	36 DJ40 64	Kit Tank Decal Red	1	
	36 DJ40 68	Kit Tank Decal Royal Blue	1	
	36 DJ40 76	Kit Decal Tank Ebony Black	1	From April 17
	36 DH41 26	Kit Decal Tank Passion Red	1	From April 17
	36 DJ40 79	Kit Decal Tank Royal Blue	1	From April 17
	36 DH41 12	Kit decal Tank flame red	1	Flame Red
13	36 DJ40 70	Kit Tank Flap RH Royal Blue	1	
	36 DJ40 71	Kit Tank Flap LH Royal Blue	1	
	DH 0101 08	Decal Tank Flap Upper Red LH	1	
	DH 0101 55	Decal flap tank upper LH red	1	Flame Red
	DH 0101 09	Decal Tank Flap Upper Red RH	1	
DH 0101 56	Decal flap tank upper RH red	1	Flame Red	
14	36 DJ40 65	Kit LH Side Cover Decal Red	1	
	36 DK01 25	Kit LH Side Cover Decal Royal Blue	1	
	36 DK01 37	Kit Decal Side Cover LH Ebony Black	1	From April 17
	36 DH41 28	Kit Decal Side Cover LH Passion Red	1	From April 17
	36 DK01 39	Kit Decal Side Cover LH Royal Blue	1	From April 17
	36 DH41 09	Kit decal side cover LH flame red	1	Flame Red

Painted Parts & Decals



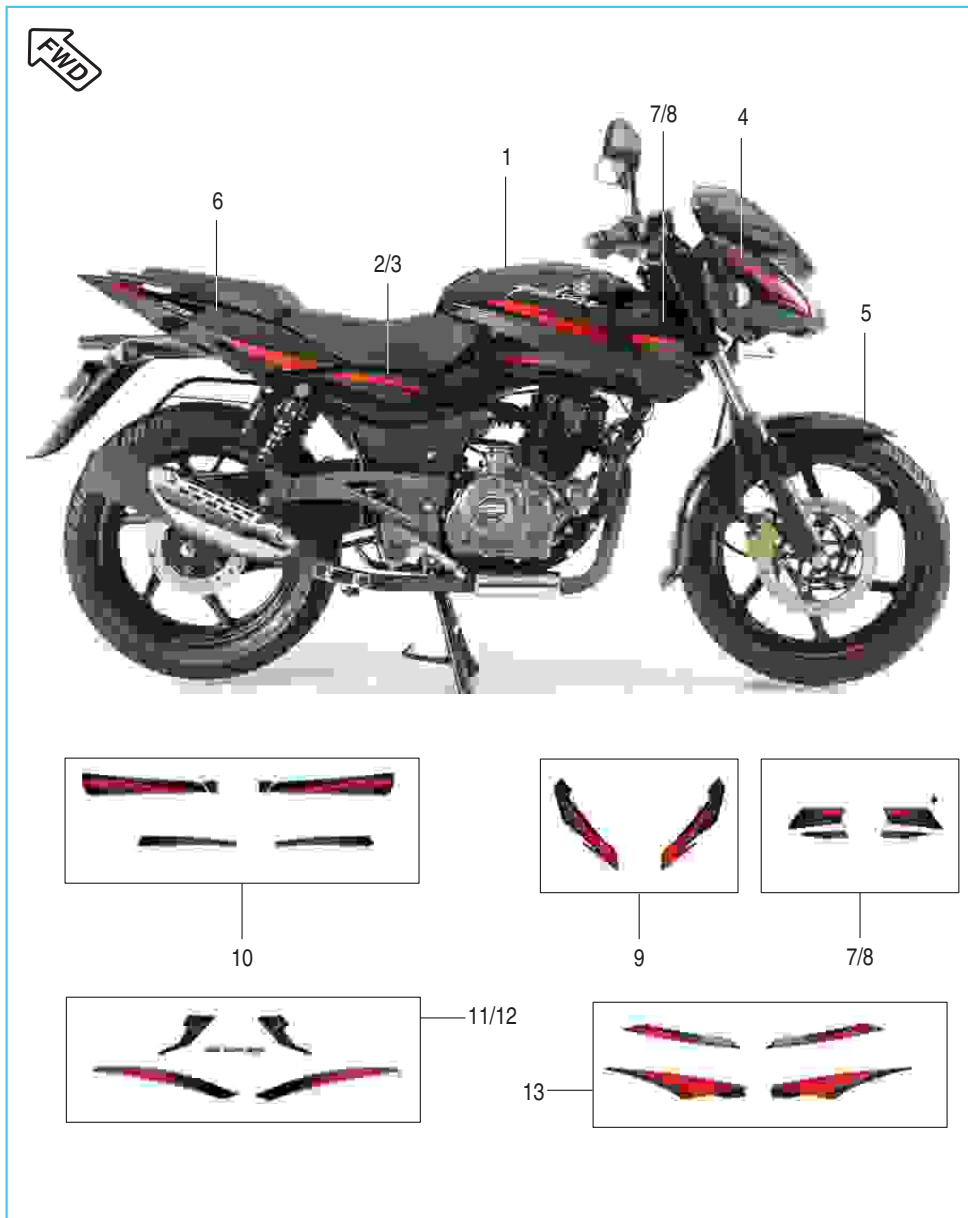
No.	Part No.	Description	Qty.	Remarks
15	36 DJ40 66	Kit RH Side Cover Decal Red	1	
	36 DK01 26	Kit RH Side Cover Decal Royal Blue	1	
	36 DK01 38	Kit Decal Side Cover RH Ebony Black	1	From April 17
	36 DH41 29	Kit Decal Side Cover RH Passion Red	1	From April 17
	36 DK01 40	Kit Decal Side Cover RH Royal Blue	1	From April 17
	36 DH41 10	Kit dcl side cover RH flame red	1	Flame Red
16	36 DJ40 67	Kit Seat Cowl Decal Red	1	
	36 DJ40 72	Kit Seat Cowl Royal Blue	1	
	36 DJ40 77	Kit Decal Seat Cowl Ebony Black	1	From April 17
	36 DJ40 83	Kit Decal Seat Cowl Passion Red	1	From April 17
	36 DJ40 81	Kit Decal Seat Cowl Royal Blue	1	From April 17
17	DJ 1614 16	Tank Decal 'Pulsar'	2	
18	DH 0102 00	Decal Tank Lower RH Blue Silver	1	From April 17

Painted Parts & Decals - Cocktail wine red & Saffire blue colour



No.	Part No.	Description	Qty.	Remarks
1	52 DJ11 88	Fuel Tank BS IV Cocktail Wine Red	1	Cocktail Wine Red
	52 DJ11 87	Fuel Tank BS IV Saffire Blue + Decal	1	Saffire Blue
2	52 DH16 60	Assly Cover Side LH / C.Wine Red	1	Cocktail Wine Red
	52 DH16 50	Assly Cover Side LH / Saffire Blue	1	Saffire Blue
3	52 DH16 51	Assly Cover Side RH / Saffire Blue	1	Saffire Blue
	52 DH1661	Assly Cover Side RH / C.Wine Red	1	Cocktail Wine Red
4	52 DH16 62	Fairing Cocktail Wine Red	1	Cocktail Wine Red
	52 DH16 52	Fairing Saffire Blue + Decal	1	Saffire Blue
5	52 DJ05 22	Front Fendor Cocktail Wine Red	1	Cocktail Wine Red
	52 DJ05 20	Front Fender Saffire Blue	1	Saffire Blue
6	52 DJ11 73	Seat Cowl Cocktail Wine Red	1	Cocktail Wine Red
	52 DJ11 71	Seat Cowl Saffire Blue + Decal	1	Saffire Blue
7	52 DJ11 83	Flap LH Cocktail Wine Red	1	Cocktail Wine Red
	52 DJ11 79	Flap LH Saffire Blue + Decal	1	Saffire Blue
	DH 0102 59	Decal Spoiler Tank LH Wine Red	1	Cocktail Wine Red
	DH 0102 40	Decal Spoiler Tank LH S Blue	1	Saffire Blue
8	52 DJ11 85	Flap RH Cocktail Wine Red	1	Cocktail Wine Red
	52 DJ11 81	Flap RH Saffire Blue + Decal	1	Saffire Blue
	DH 0102 60	Decal Spoiler Tank RH Wine Red	1	Cocktail Wine Red
	DH 0102 41	Decal Spoiler Tank RH S Blue	1	Saffire Blue
9	36 DH41 35	Kit Fairing Decal C W Red	1	Cocktail Wine Red
	36 DH41 31	Kit Fairing Decal Saffire Blue	1	Saffire Blue
10	36 DH41 41	Kit Tank Decal Wine Red	1	Cocktail Wine Red
	36 DH41 32	Kit Tank Decal S Blue	1	Saffire Blue

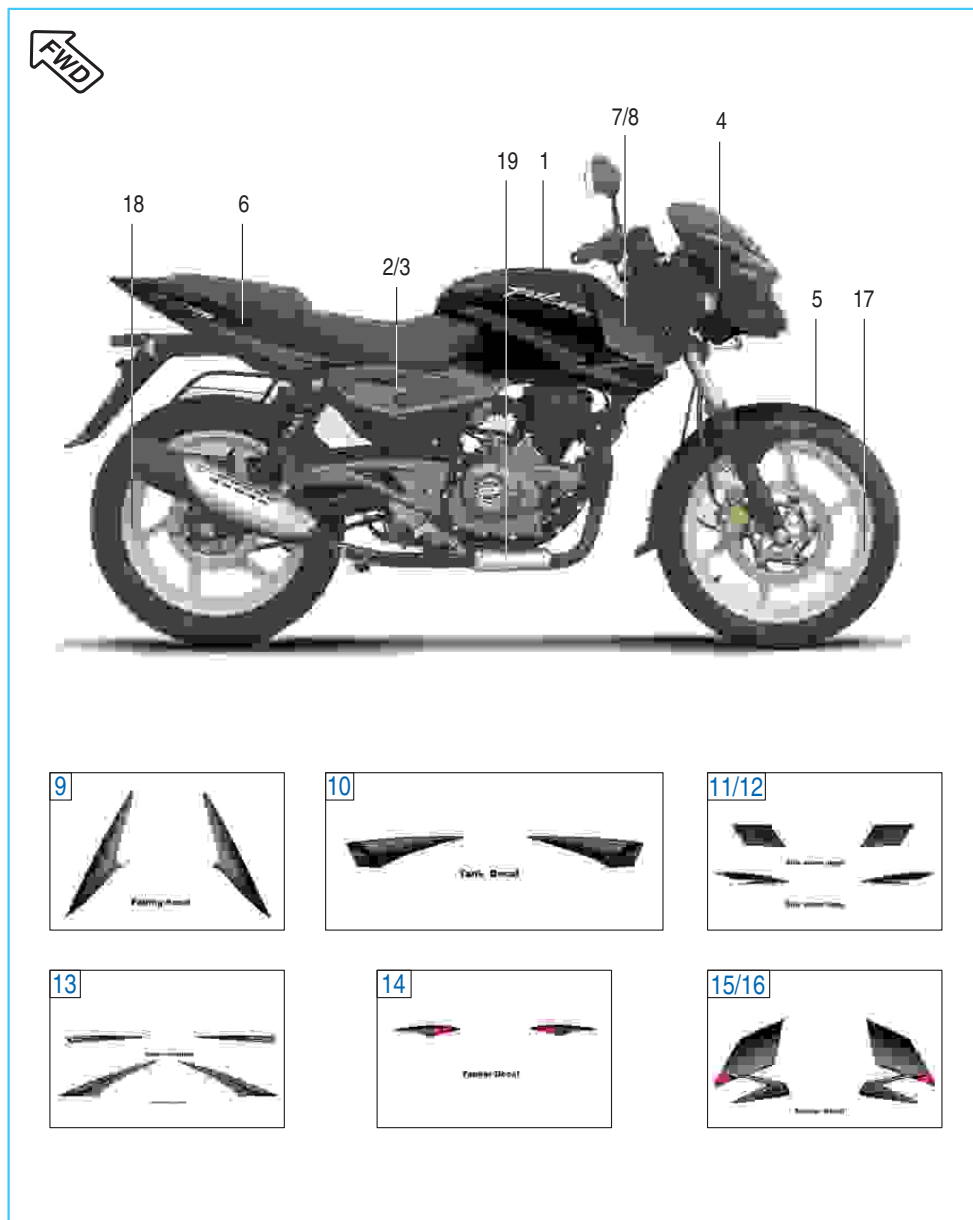
Painted Parts & Decals - Cocktail wine red & Saffire blue colour



No.	Part No.	Description	Qty.	Remarks
11	36 DH41 37	Kit Side Cover LH Wine Red	1	Cocktail Wine Red
	36 DH41 33	Kit Side Cover LH S Blue	1	Saffire Blue
12	36 DH41 38	Kit Side Cover RH Wine Red	1	Cocktail Wine Red
	36 DH41 34	Kit Side Cover RH S Blue	1	Saffire Blue
13	36 Dj40 85	Kit Seat Cowl Decal W Red	1	Cocktail Wine Red
	36 DJ40 84	Kit Seat Cowl Decal S Blue	1	Saffire Blue

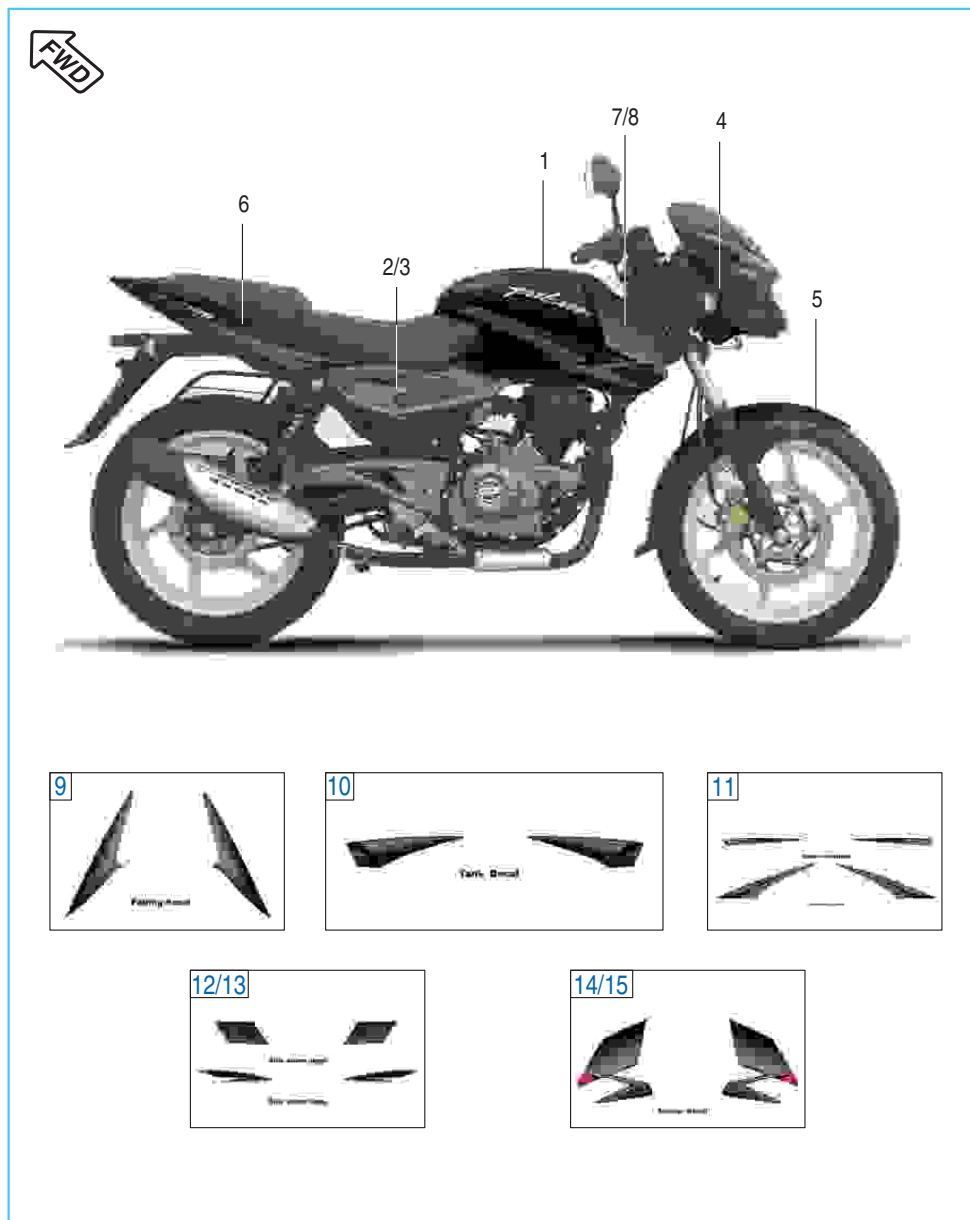
Painted Parts & Decals - (Dec. 2017)

New ebony black 'colour & decal scheme' with milky white colour wheels



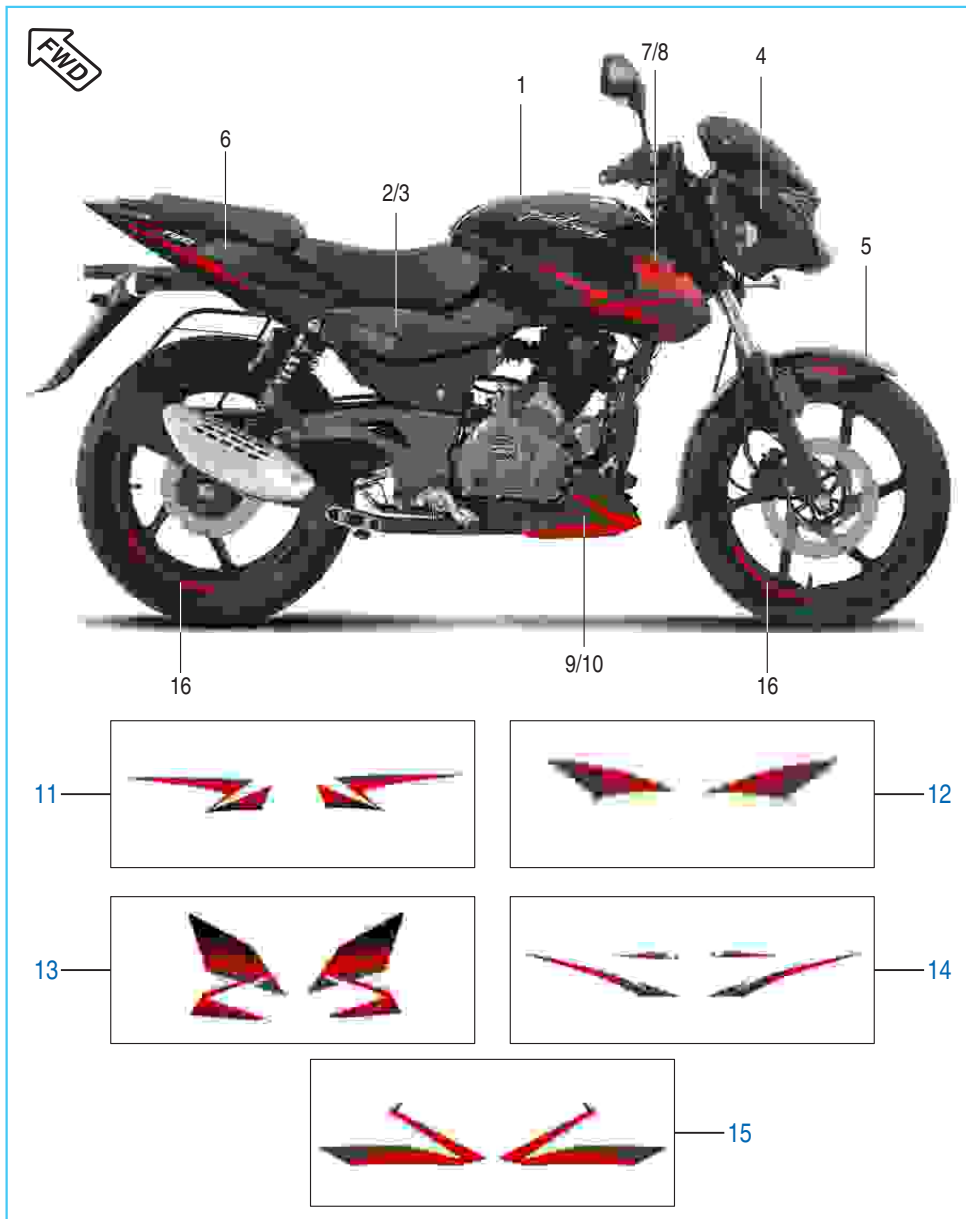
No.	Part No.	Description	Qty.	Remarks
1	52 DJ12 15	Fuel tank with decal	1	Ebony black
2	52 DH17 15	Side cover LH assly with decal	1	Matte grey
3	52 DH17 16	Side cover RH assly with decal	1	Matte grey
4	52 DH17 17	Fairing with decal	1	Ebony black
5	52 DJ12 08	Front fender with decal	1	Ebony black
6	52 DJ12 11	Seat cowl with decal	1	Ebony black
7	52 DJ12 13	Flap LH with decal	1	Ebony black
8	52 DJ12 14	Flap RH with decal	1	Ebony black
9	36 DH41 43	Kit fairing decal	1	Ebony black
10	36 DH41 44	Kit tank decal	1	Ebony black
11	36 DK01 52	Kit side cover decal LH	1	Ebony black
12	36 DK01 53	Kit side cover decal RH	1	Ebony black
13	36 DJ40 86	Kit seat cowl decal	1	Ebony black
14	36 DK01 55	Kit fender decal	1	Ebony black
15	DH 0103 06	Decal spoiler tank LH	1	Ebony black
16	DH 0103 07	Decal spoiler tank RH	1	Ebony black
17	56 DJ6D 55	Wheel front	1	Milky white
18	56 DJ6E 55	Wheel rear	1	Milky white
19	DJ 1017 41	Shield cat	1	

Painted Parts & Decals - (Feb. 2018)
New Royal Blue for Police Vehicles - MP



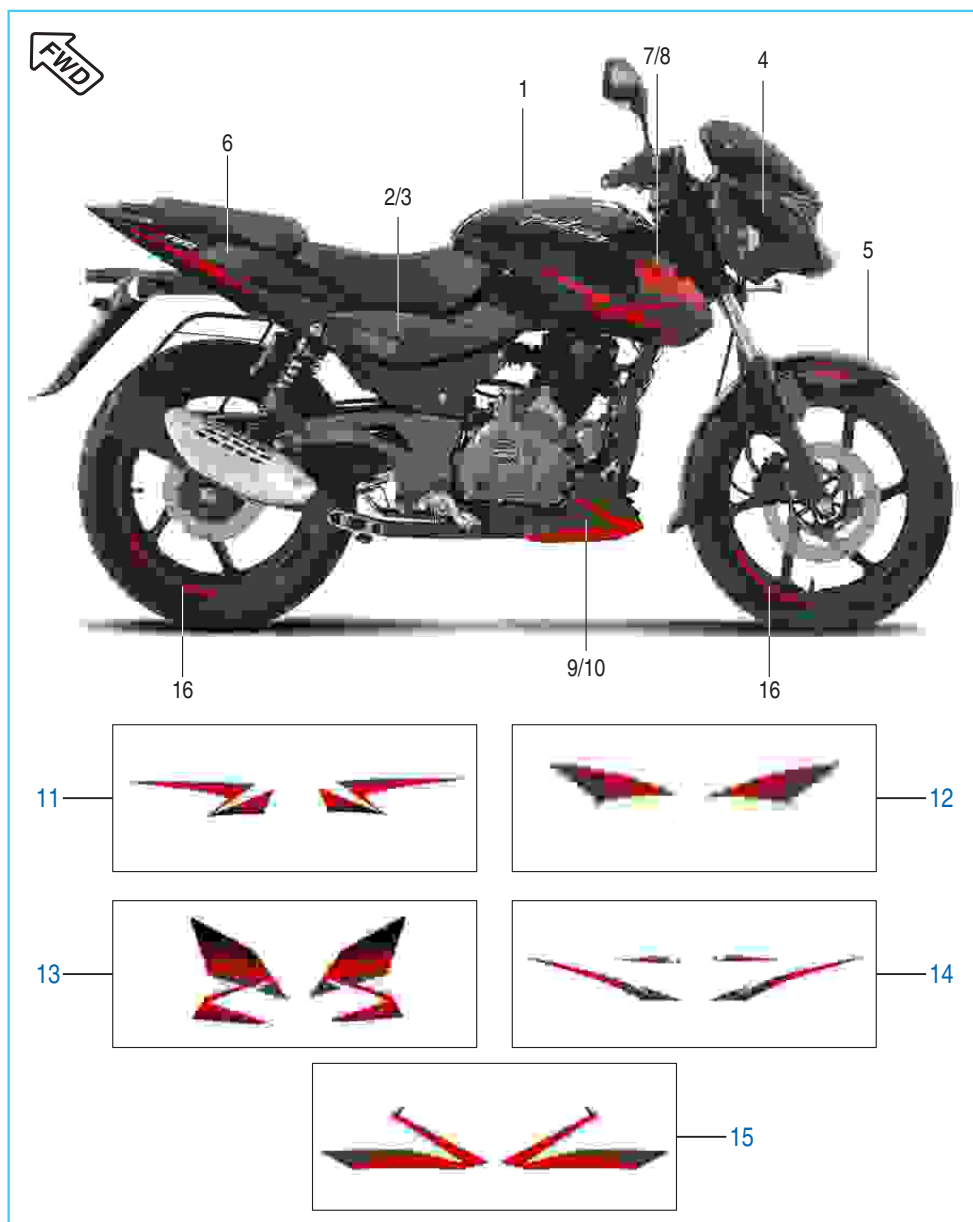
No.	Part No.	Description	Qty.	Remarks
1	52 DJ12 37	K2 fuel tank BS IV royal blue + decal + LQ	1	
2	52 DH17 86	Side cover LH assly	1	
3	52 DH17 87	Side cover RH assly	1	
4	52 DH17 88	Fairing with decal	1	
5	56 DH05 7Q	Front fender	1	
6	52 DJ12 35	Seat cowl royal blue + decal	1	
7	52 DH17 92	Spoiler assly LH	1	
8	52 DH17 93	Spoiler assly RH	1	
9	36 DH41 46	Kit fairing decal royal blue	1	
10	36 DH41 47	Kit tank decal royal blue	1	
11	36 DJ40 87	Kit seat cowl decal	1	
12	36 DH41 48	Kit side cover dcl LH royal blue	1	
13	36 DH41 49	Kit side cover dcl RH royal blue	1	
14	DH 0103 26	Spoiler LH	1	
15	DH 0103 27	Spoiler RH	1	

Painted Parts & Decals - (Nov. 2018)



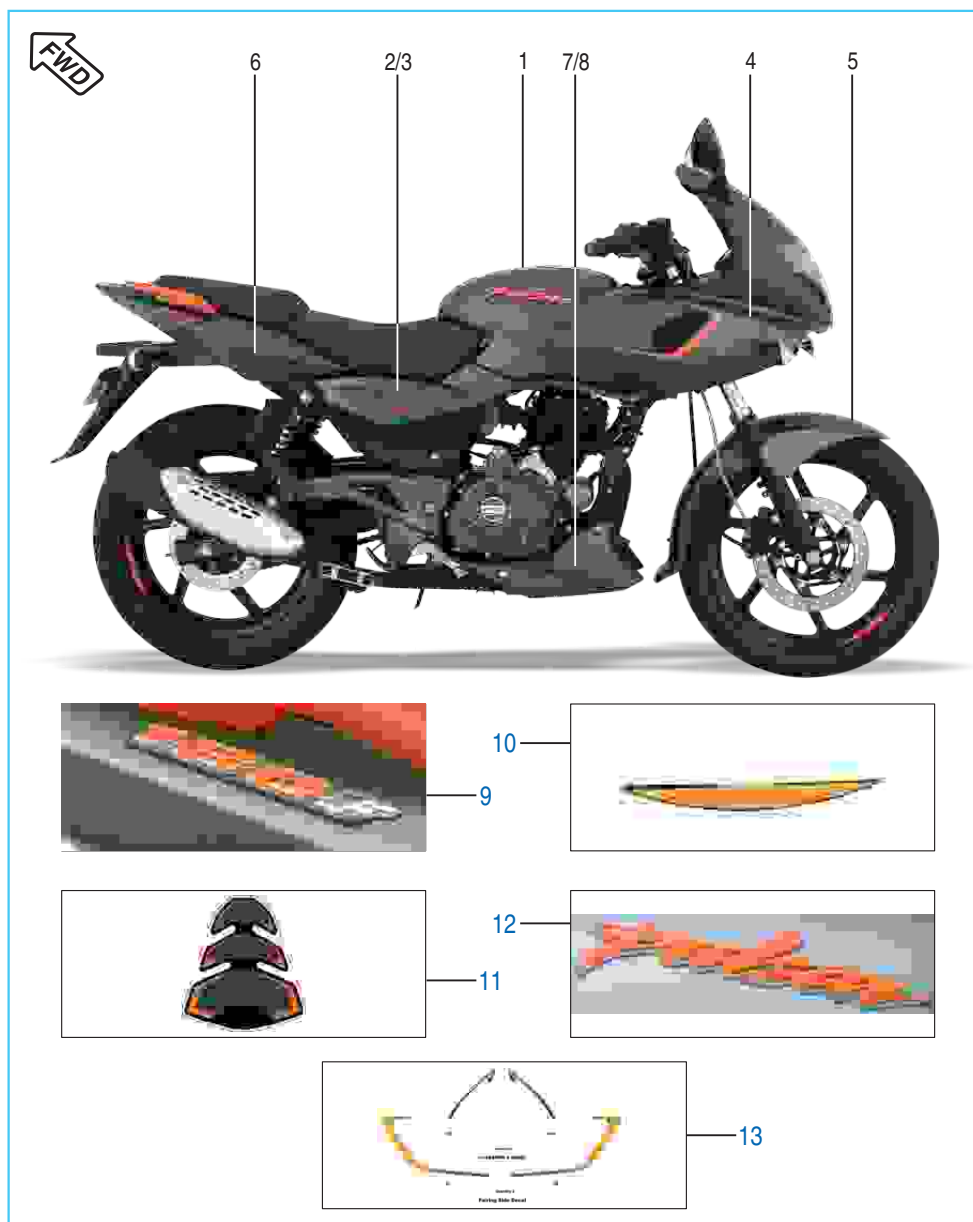
No.	Part No.	Description	Qty.	Remarks
1	52 DJ14 53	Tank Ebony Black-Red	1	Ebony Black-Red
	52 DJ15 18	Tank Ebony black - Blue	1	Ebony black - Blue
	52 DJ14 43	Tank Volcanic Red	1	Volcanic Red
2	52 DJ14 54	Side cover LH Ebony Black-Red	1	Ebony Black-Red
	52 DJ14 54	Side cover LH Ebony black - Blue	1	Ebony black - Blue
	52 DJ14 54	Side cover LH Volcanic Red	1	Volcanic Red
3	52 DJ14 55	Side cover RH Ebony Black-Red	1	Ebony Black-Red
	52 DJ14 55	Side cover RH Ebony black - Blue	1	Ebony black - Blue
	52 DJ14 55	Side cover RH Volcanic Red	1	Volcanic Red
4	56 DJ04 X3	Fairing Ebony Black-Red	1	Ebony Black-Red
	56 DJ04 X3	Fairing Ebony black - Blue	1	Ebony black - Blue
	56 DJ04 A7	Fairing Volcanic Red	1	Volcanic Red
5	52 DJ14 49	Fender Ebony Black-Red	1	Ebony Black-Red
	52 DJ15 02	Fender Ebony black - Blue	1	Ebony black - Blue
	52 DJ14 42	Fender Volcanic Red	1	Volcanic Red
6	52 DJ14 48	Seat cowl Ebony Black-Red	1	Ebony Black-Red
	52 DJ15 13	Seat cowl Ebony black - Blue	1	Ebony black - Blue
	52 DJ14 41	Seat cowl Volcanic Red	1	Volcanic Red
7	52 DJ14 44	Tank Flap LH Ebony Black-Red	1	Ebony Black-Red
	52 DJ14 98	Tank Flap LH Ebony black - Blue	1	Ebony black - Blue
	52 DJ14 37	Tank Flap LH Volcanic Red	1	Volcanic Red
8	52 DJ14 45	Tank Flap RH Ebony Black-Red	1	Ebony Black-Red
	52 DJ14 99	Tank Flap RH Ebony black - Blue	1	Ebony black - Blue
	52 DJ14 38	Tank Flap RH Volcanic Red	1	Volcanic Red

Painted Parts & Decals - (Nov. 2018)



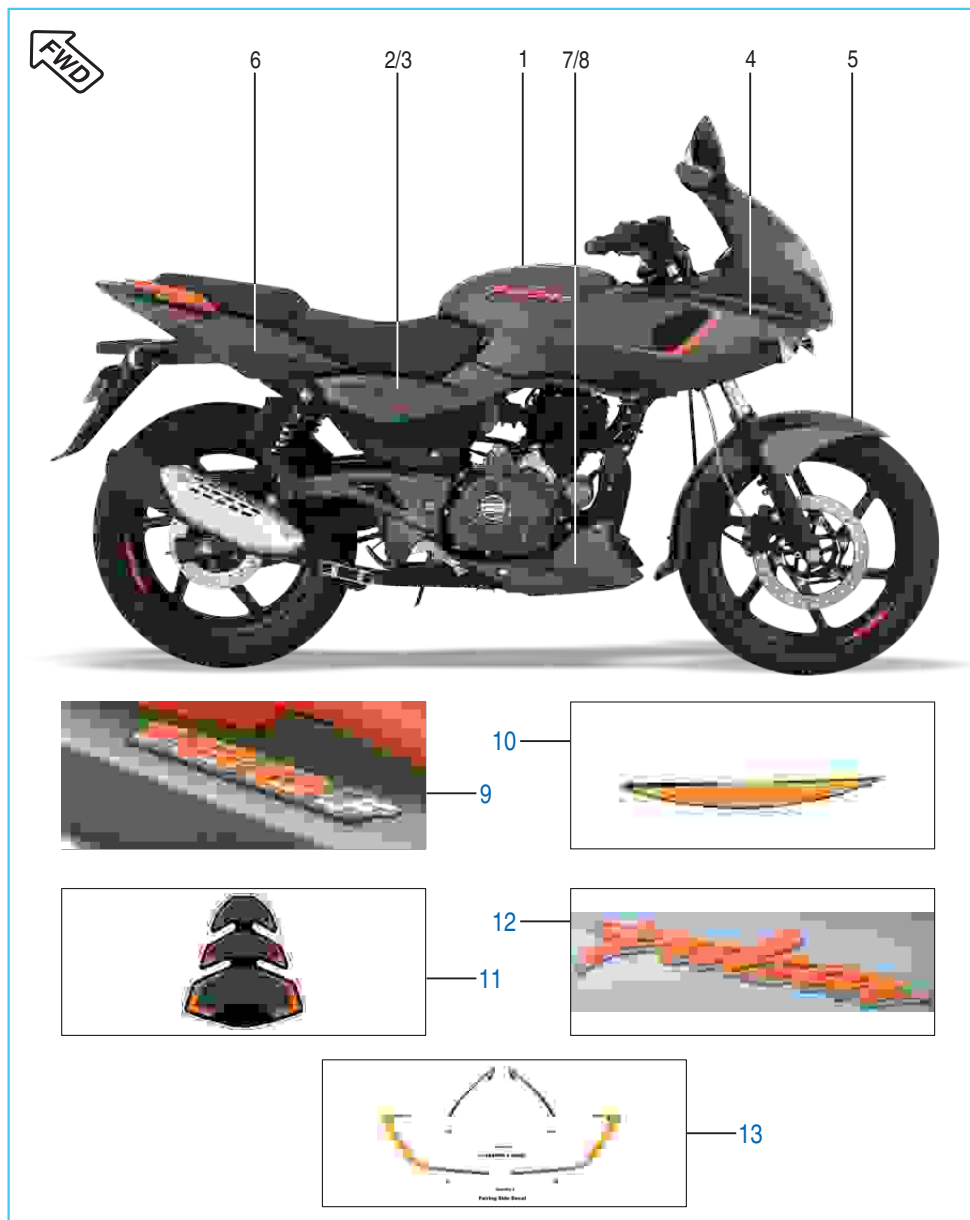
No.	Part No.	Description	Qty.	Remarks
9	52 DJ14 47	Belly Pan LH Ebony Black-Red	1	Ebony Black-Red
	52 DJ15 00	Belly Pan LH Ebony black - Blue	1	Ebony black - Blue
	52 DJ14 40	Belly Pan LH Volcanic Red	1	Volcanic Red
10	52 DJ14 46	Belly Pan RH Ebony Black-Red	1	Ebony Black-Red
	52 DJ15 01	Belly Pan RH Ebony black - Blue	1	Ebony black - Blue
	52 DJ14 39	Belly Pan RH Volcanic Red	1	Volcanic Red
11	36 DJ40 93	Tank Decal Kit Ebony Black-Red	1	Ebony Black-Red
	36 DK01 82	Tank Decal Kit Ebony black - Blue	1	Ebony black - Blue
	36 DJ40 95	Tank Decal Kit Volcanic Red	1	Volcanic Red
12	36 DK01 64	Fender Decal Kit Ebony Black-Red	1	Ebony Black-Red
	36 DK01 78	Fender Decal Kit Ebony black - Blue	1	Ebony black - Blue
	36 DK01 68	Fender Decal Kit Volcanic Red	1	Volcanic Red
13	36 DJ40 92	Tank Flap Decal Kit Ebony Black-Red	1	Ebony Black-Red
	36 DK01 81	Tank Flap Decal Kit Ebony black - Blue	1	Ebony black - Blue
	36 DJ40 94	Tank Flap Decal Kit Volcanic Red	1	Volcanic Red
14	36 DJ40 90	Seat cowl Decal Kit Ebony Black-Red	1	Ebony Black-Red
	36 DK01 80	Seat cowl Decal Kit Ebony black - Blue	1	Ebony black - Blue
	36 DJ40 91	Seat cowl Decal Kit Volcanic Red	1	Volcanic Red
15	36 DK01 65	Belly Pan Decal Kit Ebony Black-Red	1	Ebony Black-Red
	36 DK01 79	Belly Pan Decal Kit Ebony black - Blue	1	Ebony black - Blue
	36 DK01 69	Belly Pan Decal Kit Volcanic Red	1	Volcanic Red
16	DK 0102 44	Wheel Decals Ebony Black-Red	1	Ebony Black-Red
	DK 0102 72	Wheel Decals Ebony black - Blue	1	Ebony black - Blue
	Dk 0102 57	Wheel Decals Volcanic Red	1	Volcanic Red

Painted Parts & Decals - For Half Fairing (HF)



No.	Part No.	Description	Qty.	Remarks
1	52 DH27 06	Tank charcoal blk + 3D sporty orange decal	1	
	52 DH27 73	Tank charcoal blk + 3D sporty orange decal	1	ABS
	52 DH27 04	Tank ebony black + 3D passion red decal	1	
	52 DH27 71	Tank ebony black + 3D passion red decal	1	ABS
	52 DH27 05	Tank ebony black + 3D plat. Silver decal	1	
	52 DH27 72	Tank ebony black + 3D plat. Silver decal	1	ABS
2	52 DH24 47	Side cover LH assly. pla. silver	1	
	52 DH25 48	Sd cover LH assly. c. blk sporty orange	1	
	52 DH23 89	Side cover LH assly. passion red	1	
3	52 DH23 90	Side cover RH assly. passion red	1	
	52 DH24 48	Side cover RH assly. pla. silver	1	
	52 DH25 49	Sd cover RH assly. c. blk sporty orange	1	
4	52 DJ16 33	Front fender in charcoal black	1	
	52 DJ05 65	Front fender assly. ebony black	1	Common for Red & PI Silver
5	52 DJ16 36	Front fairing char blk + sp. orange	1	
	52 DJ16 18	Front fairing ebony black + p. Red decal	1	
	52 DJ16 34	Front fairing ebony + silver decal	1	
6	52 DJ16 21	Seat cowl e. Black + pas red decal	1	
	52 DJ16 39	Seat cowl e. Black + silver decal	1	
	52 DJ16 41	Seat cowl char. black + sp. org. Decal	1	
7	56 DJ38 6D	Belly pan LH charcoal black	1	
	56 DJ38 X3	Belly pan LH - khi ebony black	1	Common for Red & PI Silver

Painted Parts & Decals - For Half Fairing (HF)



No.	Part No.	Description	Qty.	Remarks
9	DJ 0101 86	Decal cowl seat sporty orange	2	
	DJ 0101 77	Decal cowl seat platinum silver	2	
	DJ 0101 71	Decal cowl seat passion red	2	
10	DH 0104 16	Decal wheel sporty orange	4	
	DH 0104 02	Decal wheel platinum silver	4	
	DH 0103 84	Decal wheel passion red	4	
11	DJ 0101 65	Decal dome tank sporty orange	1	
	DJ 0101 76	Decal dome tank platinum silver	1	
	DJ 0101 70	Decal dome tank passion red	1	
12	DH 0104 19	Decal 3d sporty orange	2	
	DH 0104 05	Decal 3d platinum silver	2	
	DH 0103 88	Decal 3d passion red	2	
13	36 DJ41 01	Kit fairing decals orange	1	
	36 DJ41 02	Kit fairing decals pm silver	1	
	36 DJ41 03	Kit fairing decals p red	1	

Consumable Parts



No.	Part No.	Description	Supply Unit	Application
1	36 0010 61 83 0204 11 83 0203 34	Bajaj Genuine Oil 10W50 Bajaj Genuine Oil 10W30* Bajaj Genuine Oil 20W50* (BGO to be ordered to HPCL)	1.5 Ltr. 1 Ltr. 1 Ltr.	Dominar 400 100cc Models 125cc and above models
2	36 0010 58	Bajaj Coolant Koolex*	1 Ltr.	Coolant Top-up/Replace
3	36 DH40 61	Brake Fluid DOT4	100 ml	Disc Brake Top-up/Replace
4	36 DH40 52	Silicon grease	3 gm	Caliper Pin
5	83 0204 73 36 DK00 45	Grease Petamo GHY 441 Grease Molycoat	3 gm 200 gm	Water Pump Seals For Starter Clutch Lubrication
6	36 0010 52 36 JL01 81	HP Lithon RR Grease Limaplex HTX 3 Grease	10 gm 10 gm	Steering Race Steering Race
7	83 0201 73	Multi Purpose Grease* (Local Purchase)	--	Lubrication of Clutch Lever, Brake Lever, Brake Pedal & Side Stand
8	36 0010 55	Chain Lubricant HP Make	1 kg	Non - Sealed Chain Lubrication
9	36 0010 62	Liquid gasket L5910	50 ml	Crankcase Joining
10	36 3140 04 36 JG00 87	Fork oil Fork oil 480 ml (Dominar UG)	160 ml 480 ml	Front Fork Top-up/Replace\ Front Fork Top-up/Replace\ Sealed Drive Chain
11	36 DH40 29	Kit Spray Chain Lub	100 ml	Sealed Drive Chain
12	36 DH40 71	Wonderfill Chain Spray	100 ml	Sealed Drive Chain

* Marked items to be arrange from vendor or local market. Not applicable against chassis number.

Consumable Parts

13		14		15	
16		17		18	
19		20		21	
22		23		24	

No.	Part No.	Description	Supply Unit	Application
13	36 DH40 72	Rust Remover Spray Make - Zorric 88 & Wonder fill easiner	100 ml	For Removing Rust from Components
14	76 0109 36	Loctite Thread locker 243*	50 ml	For Screws & Bolts
15	76 0109 37	Loctite retaining compound 638*	50 ml	For Screws & Bolts
16	37 0043 52	Touch up paint slate grey*	440 ml	Touch up of Frame, Swing Arm & Step Holder
17	37 0043 53	Touch up paint Matte Silk black*	440 ml	Touch up of Grab Handle, Handle Bar & Handle Holder
18	36 0010 60	Kibatsu touch up paint*	400 cc	Touch up of Cylinder head, Block & Alloy Wheels
19	37 2240 18	Paint Bottle Schwartz Black*	--	P-200NS Frame Touch-up
20	75 6802 36 NA	Petroleum Jelly (Local Purchase) Distilled Water (Local Purchase)	-- 1 Ltr.	For Battery Terminals For Battery Level Top-up
21	NA	SAE 90 oil (Local Purchase)	-	
22	62 3050 84	WD40 Spray (Local Purchase)	400 ml	Electrical Contact Cleaning Spray
23	36 0010 56	Carburetor Cleaning Spray*		For Cleaning Carburetor
24	37 2540 39	Corrosion Protection Spray* Proto quick LTP902 (To be ordered on Vendor)	--	For Preventing vehicle parts from rusting

* Marked items to be arrange from vendor or local market. Not applicable against chassis number.

Kit List

Sr No	Kit Part No.	Kit Description	Consisting of Following Parts		
			Part No.	Description	Qty/Kit
1	36DS1001	Cyl.Head O Ring Kit	39239121	O Ring (Cover tappet)	2
			39128321	O ring	2
2	36DJ1004	Valve Kit	DJ101124	Valve Intake	1
			DJ101125	Valve Exhaust	1
3	DK101326	Valve Repair Kit	DK101247	Retainer valve spring	2
			DK101108	Spring valve inner	2
			DK101110	Spring valve outer	2
			DK101246	Seat valve spring	2
4	36DK0039	Guide Chain Kit	DH101017	Guide chain (Tight)	1
			DK101059	Guide Chain (slack)	1
5	36DK0038	Set primary drive & driven	DH101628	Gear primary drive	1
			DK101561	Clutch Housing	1
6	36DH4019	Kit centrifugal oil filter	39220011	Washer	1
			DH101234	Gasket centrifugal oil filter	1
			DH101640	Oval screw	1
			Dh101066	Join oil dealivery	1
			DH101067	Spring oil delivery	1
			39219908	Pin oil delivery joint	1
10	36DH1007	Set of Plate	DH101283	Plate Damper	1
			DH101293	Plate Damper Cover LH RR	1
11	36DH4010	Kit hardware air cleaner	DH121020	Bracket lock	1
			01110609	Plain washer	1
			39178001	Screw pan cross	1
			39177304	Bolt flange	4
			31121043	Coller	3
			39071111	Plain washer	3
12	36DK0015	Kit element air filter	DK121002	Element air filter fine	1
			DK121003	Element air filter coarse	1
13	36DH4011	Kit hardware shield	DH101301	Seal shield muflar	2
			DH101395	Trust screw	2
			DH101481	Grommet shield	1
14	36DK0009	Kit hardware silencer	39185004	Flange bolt	1
			39242511	Plain washer	1
			DD161071	U nut	1

Kit List

Sr No	Kit Part No.	Kit Description	Consisting of Following Parts		
			Part No.	Description	Qty/Kit
			DH161155	Damper silencer	1
			DH161157	Tube silencer mounting	1
15	36DK0011	Kit hardware engine mounting	39231204	Bolt flange	4
			39197015	Nut flange	8
			39241304	Bolt flange	1
			DH161245	U Nut	3
18	36DK0013	Kit hardware pillion	DJ161186	Plait side pillion stape	2
			DH161061	Pin pillion set	2
			30141031	"O" ring	2
			39104011	Plain washer	2
			39078408	Split pin	2
19	36JC0007	Kit lever brake	01170122	"O" ring	1
			JC151006	Indicator	1
			JC151007	Lever brake	1
			39244704	Hex. head bold	1
			39079815	Nut	1
20	36DK0036	Chain sprocket kit	DJ151110	Sprocket (36 teeth)	1
			DK151010	Chain	1
			DV101048	Sprocket Drive	1
23	36JC0006	Kit hardware rod bracket	30191038	Pin	1
			39019811	Plain washer	1
			39080808	Split pin	1
			JC191008	Spring	1
			JC191006	Pin	1
			JC191007	Brake adjustment nut	1
24	36DK0018	Kit hardware rod torque	39078912	Spring washer	2
			39069415	Nut lock	2
			39080708	Pin snap	2
			39154011	Plain washer	1
25	36DK0019	Kit hardware holder LH	30191024	Screw	1
			30191017	Nut	1
			39021911	Plain washer	1
			39072504	Hex bold	1
26	36DH1601	Grommet kit for side cover	DH161158	Grommet side cover	4

Kit List



Sr No	Kit Part No.	Kit Description	Consisting of Following Parts		
			Part No.	Description	Qty/Kit
			DH161133	Grommet side cover rear	2
27	36DH4020	Kit hardware mounting bracket	DJ181029	Coller fairing mounting	6
			DJ181064	Grommet fearing mounting	6
			39021111	Plain washer	4
			39155204	Flange bolt	4
28	36DJ4068	KIT TANK DCL R BLUE K2	DH010126	DECAL TANK UPPER LH BLUE	1
			DH010128	DECAL TANK LOWER LH BLUE	1
			DH010127	DECAL TANK UPPER RH BLUE	1
			DH010129	DECAL TANK LOWER RH BLUE	1
29	36DJ4069	KIT FAIRING DCL R BLUE K2	DH010124	DECAL FAIRING LH BLUE	1
			DH010125	DECAL FAIRING RH BLUE	1
30	36PD0030	KIT FRICTION PLATE-A101	DK101566	CLUTCH FRICTION DISK (CFD)	4
			PD551419	DISK C FRICTION CLUTCH	1
			DK101568	CLUTCH FRICTION DISK-B	1
31	36JG0011	KIT STEERING HEAD BEARING	DK181050	CAGE BEARING STEERING TOP	1
			DG181045	BEARING CONE :- UPPER	1
			DG181005	BEARING CONE	1
			DG181003	WASHER	1
			DG181004	SEAL - OIL	1
			DK181051	CAGE BEARING STEERING BOTTOM	1
			DG181047	BEARING RACE - LOWER	1
			DG181046	BEARING RACE - UPPER	1
32	36DJ4070	KIT TANK FLAP RH R BLUE K2	DH010131	DECAL FLAP TANK UPPER RH BLUE	1
			DH010133	DECAL FLAP TANK LOWER RH BLUE	1
33	36DJ4071	KIT TANK FLAP LH R BLUE K2	DH010132	DECAL FLAP TANK LOWER LH BLUE	1
			DH010130	DECAL FLAP TANK UPPER LH BLUE	1
34	36DJ4072	KIT S COWL R BLUE K2	DJ010104	DECAL SEAT COWL UPPER LH BLUE	1
			DJ010105	DECAL SEAT COWL UPPER RH BLUE	1
			DH010139	DECAL SEAT COWL LOWER RH BLUE	1
			DH010138	DECAL SEAT COWL LOWER LH BLUE	1
35	36DJ4063	FAIRING DCL RED	DH010102	DECAL FAIRING BLACK LH	1
			DH010103	DECAL FAIRING BLACK RH	1
36	36DJ4064	TANK DCL RED	DH010104	DECAL TANK UPPER BLACK LH	1
			DH010105	DECAL TANK UPPER BLACK RH	1

Kit List



Sr No	Kit Part No.	Kit Description	Consisting of Following Parts		
			Part No.	Description	Qty/Kit
			DH010106	DECAL TANK LOWER BLACK LH	1
			DH010107	DECAL TANK LOWER BLACK RH	1
37	36DJ4065	LH SIDE C DCL RED	DH010112	DCL COVER SIDE UPPER BLACK LH	1
			DH010114	DCL COVER SIDE LOWER BLACK LH	1
38	36DJ4066	RH SIDE C DCL RED	DH010115	DCL COVER SIDE LOWER BLACK RH	1
			DH010113	DCL COVER SIDE UPPER BLACK RH	1
39	36DJ4067	S COWL DCL RED	DH010116	DCL COWL SEAT LOWER BLACK LH	1
			DH010117	DCL COWL SEAT LOWER BLACK RH	1
			DJ010102	DEAL COWL SEAT UPPER BLACK LH	1
			DJ010103	DCL COWL SEAT UPPER BLACK RH	1
40	36DJ4062	CYL HEAD WITH COVER SAI-K2	DJ101367	COVER COMPLETE CYLINDER HEAD	1
			DJ101708	CYLINDER HEAD COMP_SAI	1
41	36DH4131	Kit Fairing Decal Saffire Blue	DH010232	Decal Fairing LH Saffire Blue	1
			DH010233	Decal Fairing RH Saffire Blue	1
42	36DH4132	Kit Tank Decal S Blue	DH010234	Decal Tank Upper LH Saffire Blue	1
			DH010235	Decal Tank Upper RH Saffire Blue	1
			DH010236	Decal Tank Middle LH S Blue	1
			DH010237	Decal Tank Middle RH S Blue	1
			DH010238	Decal Tank Lower LH Saffire Blue	1
			DH010239	Decal Tank Lower RH Saffire Blue	1
43	36DH4133	Kit Side Cover LH S Blue	DH010242	Decal Cover Side Upper LH S Blue	1
			DH010244	Decal Cover Side Lower LH S Blue	1
44	36DH4134	Kit Side Cover RH S Blue	DH010245	Decal Cover Side Lower RH S Blue	1
			DH010243	Decal Cover Side Upper RH S Blue	1
45	36DJ4084	Kit Seat Cowl Decal S Blue-K2	DJ010120	Decal Cowl Seat Upper LH S Blue	1
			DJ010121	Decal Cowl Seat Upper RH S Blue	1
			DH010248	Decal Cowl Seat Lower LH S Blue	1
			DH010249	Decal Cowl Seat Lower RH S Blue	1
46	36DH4135	Kit Fairing Decal C W Red	DH010251	Decal Fairing LH Wine Red	1
			DH010252	Decal Fairing RH Wine Red	1
47	36DH4141	Kit Tank Decal Wine Red	DH010253	Decal Tank Upper LH Wine Red	1
			DH010254	Decal Tank Upper RH Wine Red	1
			DH010255	Decal Tank Middle LH Wine Red	1
			DH010256	Decal Tank Middle RH Wine Red	1

Kit List



Sr No	Kit Part No.	Kit Description	Consisting of Following Parts		
			Part No.	Description	Qty/Kit
			DH010257	Decal Tank Lower LH Wine Red	1
			DH010258	Decal Tank Lower RH Wine Red	1
48	36DH4137	Kit Side Cover LH Wine Red	DH010261	Decal Cover Side Upper LH W Red	1
			DH010263	Decal Cover Side Lower LH W Red	1
49	36DH4138	Kit Side Cover RH Wine Red	DH010264	Decal Cover Side Lower RH W Red	1
			DH010262	Decal Cover Side Upper RH W Red	1
50	36DJ4085	Kit Seat Cowl Decal W Red-K2	DJ010123	Decal Cowl Seat Upper LH W Red	1
			DJ010124	Decal Cowl Seat Upper RH W Red	1
			DH010267	Decal Cowl Seat Lower LH W Red	1
			DH010268	Decal Cowl Seat Lower RH W Red	1
51	36DK0152	Kit side cover dcl LH	DH010308	Decal cover side upper LH ebony black	1
			DH010310	Decal cover side lower LH ebony black	1
52	36DK0153	Kit side cover dcl RH	DH010311	Decal cover side lower RH ebony black	1
			DH010309	Decal cover side upper RH ebony black	1
53	36DK0155	Kit fender decal	DH010316	Decal fender LH ebony black	1
			DH010317	Decal fender RH ebony black	1
54	36DJ4086	Kit seat cowl decal	DJ010129	Decal cowl seat upper LH ebony black	1
			DJ010130	Decal cowl seat upper RH ebony black	1
			DH010314	Decal cowl seat lower LH ebony black	1
			DH010315	Decal cowl seat lower RH ebony black	1
55			DH010306	Decal spoiler tank LH ebony black	1
56			DH010307	Decal spoiler tank RH ebony black	1
57	36DJ4088	Kit Saree Guard + Grab + Fitting			1
58	36DJ4101	Kit fairing decals orange (HF)	DJ010163	Decal fairing front LH S orange	
			DJ010164	Decal fairing front RH S orange	
			DJ010166	Decal fairing LH sporty orange	
			DJ010167	Decal fairing RH sporty orange	
59	36DJ4102	Kit fairing decals pm silver (HF)	DJ010179	Decal fairing RH platinum silver	
			DJ010175	Decal fairing front RH pm silver	
			DJ010174	Decal fairing front LH pm silver	
			DJ010178	Decal fairing LH platinum silver	
60	36DJ4103	Kit fairing decals p red (HF)	DJ010172	Decal fairing LH passion red	
			DJ010168	Decal fairing front LH P red	

Kit List



Sr No	Kit Part No.	Kit Description	Consisting of Following Parts		
			Part No.	Description	Qty/Kit
			DJ010169	Decal fairing front RH P red	
			DJ010173	Decal fairing RH passion red	

Parts Index



Part Number	Figure No.	Page No.
22 1504 51	19	56
28 1011 74	16	42
30 1410 31	12	56
30 1410 31	22	58
30 1510 82	12	72
30 1611 57	2	62
30 1910 17	13	84
30 1910 38	7	80
30 1910 48	14	116
30 2010 64	23	118
30 2010 85	13	116
30 2110 05	19	106
30 2110 05	15	114
31 1011 06	16	26
31 1011 73	4	14
31 1210 06	9	12
31 1610 18	12	94
31 2010 79	2	80
31 2010 79	6	116
33 1410 08	3	4
36 0010 52	4	146
36 0010 52	6	146
36 0010 55	8	146
36 0010 56	23	148
36 0010 58	2	146
36 0010 60	18	148
36 0010 61	1	146
36 0010 62	9	146
36 3140 04	10	146
36 DH40 10	2	42
36 DH40 11	3	38

Part Number	Figure No.	Page No.
36 DH40 19	13	14
36 DH40 29	11	146
36 DH40 30	3	10
36 DH40 48	1	68
36 DH40 61	3	146
36 DH40 71	12	146
36 DH40 72	13	148
36 DH40 96	10	114
36 DH41 06	11	126
36 DH41 09	14	126
36 DH41 10	15	128
36 DH41 12	12	126
36 DH41 25	11	126
36 DH41 26	12	126
36 DH41 28	14	126
36 DH41 29	15	128
36 DH41 31	9	130
36 DH41 32	10	130
36 DH41 33	11	132
36 DH41 34	12	132
36 DH41 35	9	130
36 DH41 37	11	132
36 DH41 38	12	132
36 DH41 41	10	130
36 DH41 43	9	134
36 DH41 44	10	134
36 DH41 46	9	136
36 DH41 47	10	136
36 DH41 48	12	136
36 DH41 49	13	136
36 DH41 72	11	78

Parts Index



Part Number	Figure No.	Page No.
36 DH41 73	12	78
36 DH41 74	3	78
36 DH41 75	4	78
36 DH41 76	6	78
36 DH41 77	5	78
36 DH41 78	7	78
36 DH41 79	8	78
36 DH41 80	9	78
36 DH41 81	10	78
36 DH41 82	13	78
36 DH41 83	14	78
36 DH41 84	15	78
36 DJ10 04	7	8
36 DJ40 63	11	126
36 DJ40 64	12	126
36 DJ40 65	14	126
36 DJ40 66	15	128
36 DJ40 67	16	128
36 DJ40 68	12	126
36 DJ40 69	11	126
36 DJ40 70	13	126
36 DJ40 71	13	126
36 DJ40 72	16	128
36 DJ40 75	11	126
36 DJ40 76	12	126
36 DJ40 77	16	128
36 DJ40 78	11	126
36 DJ40 79	12	126
36 DJ40 81	16	128
36 DJ40 82	1	28
36 DJ40 83	16	128

Part Number	Figure No.	Page No.
36 DJ40 84	13	132
36 DJ40 85	13	132
36 DJ40 86	13	134
36 DJ40 87	11	136
36 DJ40 88	13	102
36 DJ40 90	14	140
36 DJ40 91	14	140
36 DJ40 92	13	140
36 DJ40 93	11	140
36 DJ40 94	13	140
36 DJ40 95	11	140
36 DJ41 01	13	144
36 DJ41 02	13	144
36 DJ41 03	13	144
36 DK00 09	6	38
36 DK00 13	6	56
36 DK00 13	15	56
36 DK00 21	11	108
36 DK00 23	4	102
36 DK00 36	4	72
36 DK00 38	9	14
36 DK00 65	9	70
36 DK00 66	10	70
36 DK00 67	24	76
36 DK00 68	25	76
36 DK00 69	12	76
36 DK00 70	13	76
36 DK00 71	15	76
36 DK01 25	14	126
36 DK01 26	15	128
36 DK01 37	14	126

Parts Index



Part Number	Figure No.	Page No.
36 DK01 38	15	128
36 DK01 39	14	126
36 DK01 40	15	128
36 DK01 52	11	134
36 DK01 53	12	134
36 DK01 55	14	134
36 DK01 64	12	140
36 DK01 65	15	140
36 DK01 68	12	140
36 DK01 69	15	140
36 DK01 78	12	140
36 DK01 79	15	140
36 DK01 80	14	140
36 DK01 81	13	140
36 DK01 82	11	140
36 DK01 86	2	82
36 DK01 87	3	82
36 DS10 01	1	6
36 DU19 01	12	84
36 JF00 15	9	70
36 JF00 16	10	70
36 JF00 17	11	70
36 JF00 18	1	68
36 JG00 11	5	50
36 JL01 81	6	146
36 PD00 30	2	32
36 PD00 56	11	114
37 0043 52	16	148
37 0043 53	17	148
37 2240 18	19	148
37 2540 39	24	148

Part Number	Figure No.	Page No.
39 0292 15	8	56
39 0296 15	11	102
39 0326 15	13	60
39 0422 15	10	62
39 0711 11	7	60
39 0711 11	14	108
39 0714 11	17	54
39 0740 11	5	92
39 0752 01	6	26
39 0784 08	21	58
39 0787 08	3	62
39 0798 15	8	60
39 0849 14	17	48
39 0963 15	18	56
39 0972 04	10	48
39 0999 06	11	28
39 0999 06	5	30
39 1040 11	15	52
39 1041 19	4	28
39 1069 01	7	56
39 1075 04	9	2
39 1180 11	27	86
39 1184 15	11	84
39 1224 11	13	54
39 1225 15	4	110
39 1283 21	1	6
39 1298 04	18	88
39 1507 11	3	116
39 1524 01	14	106
39 1556 04	5	94
39 1608 04	10	102

Parts Index



Part Number	Figure No.	Page No.
39 1620 11	9	18
39 1660 05	2	6
39 1664 04	10	52
39 1672 04	3	18
39 1672 04	6	60
39 1673 04	10	10
39 1674 04	9	6
39 1674 04	11	18
39 1674 04	24	28
39 1674 04	2	34
39 1677 04	20	26
39 1680 04	10	60
39 1680 04	25	86
39 1680 04	2	104
39 1680 04	15	118
39 1681 04	7	102
39 1686 06	8	18
39 1686 06	4	34
39 1689 04	11	12
39 1714 04	9	56
39 1778 02	2	98
39 1778 02	11	112
39 1780 01	13	42
39 1789 24	25	94
39 1829 12	3	54
39 1845 04	11	24
39 1907 01	8	106
39 1907 01	5	114
39 1931 20	6	14
39 1940 04	19	26
39 1943 04	3	94

Part Number	Figure No.	Page No.
39 1943 04	8	94
39 1944 04	10	46
39 1944 04	18	46
39 1956 04	4	116
39 1967 04	10	52
39 1970 15	5	38
39 1970 15	9	98
39 1972 15	6	114
39 1990 20	20	28
39 1997 15	14	54
39 1997 15	9	72
39 1998 19	11	22
39 2017 19	5	8
39 2038 04	17	72
39 2060 04	12	62
39 2121 04	2	70
39 2132 17	5	12
39 2141 24	5	106
39 2141 24	5	108
39 2152 20	5	18
39 2157 04	7	52
39 2158 11	2	16
39 2159 11	13	16
39 2160 11	9	16
39 2165 11	3	14
39 2166 11	11	16
39 2180 06	8	24
39 2181 06	2	12
39 2181 06	24	26
39 2188 19	4	26
39 2190 19	11	26

Parts Index



Part Number	Figure No.	Page No.
39 2194 21	6	34
39 2199 08	17	14
39 2200 11	15	32
39 2203 07	8	14
39 2285 01	14	48
39 2310 04	13	52
39 2310 04	3	76
39 2310 04	2	102
39 2312 04	4	52
39 2366 15	16	54
39 2383 15	17	22
39 2391 21	3	2
39 2412 04	8	52
39 2424 11	4	94
39 2425 11	27	40
39 2427 04	23	86
39 2440 11	9	8
39 2443 11	18	28
39 2448 11	12	12
39 2448 11	26	26
39 2451 11	3	114
39 2453 04	6	22
39 2481 04	5	76
39 2492 11	31	40
39 2532 04	8	2
39 2539 21	6	6
39 2557 17	7	18
39 2583 20	6	24
39 2601 20	9	24
39 2603 20	7	26
39 2606 07	7	20

Part Number	Figure No.	Page No.
39 2608 01	11	6
39 2617 20	9	32
39 2639 04	6	20
39 2647 15	6	2
39 2669 21	13	10
39 2758 21	7	92
52 DH01 69	1	34
52 DH01 77	10	18
52 DH13 17	1	30
52 DH13 68	2	122
52 DH13 69	3	122
52 DH13 70	4	122
52 DH15 27	2	122
52 DH15 28	2	122
52 DH15 29	3	122
52 DH15 30	3	122
52 DH15 31	4	122
52 DH15 32	4	122
52 DH15 99	2	122
52 DH16 00	3	122
52 DH16 01	4	122
52 DH16 50	2	130
52 DH16 51	3	130
52 DH16 52	4	130
52 DH16 60	2	130
52 DH16 62	4	130
52 DH1661	3	130
52 DH17 15	2	134
52 DH17 16	3	134
52 DH17 17	4	134
52 DH17 86	2	136

Parts Index



Part Number	Figure No.	Page No.
52 DH17 87	3	136
52 DH17 88	4	136
52 DH17 92	7	136
52 DH17 93	8	136
52 DH23 89	2	142
52 DH23 90	3	142
52 DH24 47	2	142
52 DH24 48	3	142
52 DH25 48	2	142
52 DH25 49	3	142
52 DH27 04	1	142
52 DH27 05	1	142
52 DH27 06	1	142
52 DJ05 20	5	130
52 DJ05 22	5	130
52 DJ05 65	5	122
52 DJ05 65	4	142
52 DJ07 23	1	122
52 DJ09 04	4	122
52 DJ09 05	7	124
52 DJ09 06	8	124
52 DJ09 09	6	124
52 DJ09 42	4	122
52 DJ09 42	7	124
52 DJ09 43	7	124
52 DJ09 45	6	124
52 DJ09 51	2	122
52 DJ09 52	3	122
52 DJ09 56	2	122
52 DJ09 57	3	122
52 DJ09 99	7	124

Part Number	Figure No.	Page No.
52 DJ10 00	8	124
52 DJ10 01	6	124
52 DJ10 02	1	122
52 DJ10 13	5	122
52 DJ10 39	1	122
52 DJ10 72	6	124
52 DJ10 74	6	124
52 DJ10 85	7	124
52 DJ10 87	8	124
52 DJ10 89	7	124
52 DJ10 91	8	124
52 DJ10 95	1	122
52 DJ10 96	1	122
52 DJ11 15	6	124
52 DJ11 17	7	124
52 DJ11 18	8	124
52 DJ11 19	1	122
52 DJ11 71	6	130
52 DJ11 73	6	130
52 DJ11 79	7	130
52 DJ11 81	8	130
52 DJ11 83	7	130
52 DJ11 85	8	130
52 DJ11 87	1	130
52 DJ11 88	1	130
52 DJ12 08	5	134
52 DJ12 11	6	134
52 DJ12 13	7	134
52 DJ12 14	8	134
52 DJ12 15	1	134
52 DJ12 35	6	136

Parts Index

Part Number	Figure No.	Page No.
52 DJ12 37	1	136
52 DJ14 37	7	138
52 DJ14 38	8	138
52 DJ14 39	10	140
52 DJ14 40	9	140
52 DJ14 41	6	138
52 DJ14 42	5	138
52 DJ14 43	1	138
52 DJ14 44	7	138
52 DJ14 45	8	138
52 DJ14 46	10	140
52 DJ14 47	9	140
52 DJ14 48	6	138
52 DJ14 49	5	138
52 DJ14 53	1	138
52 DJ14 54	2	138
52 DJ14 54	2	138
52 DJ14 54	2	138
52 DJ14 55	3	138
52 DJ14 55	3	138
52 DJ14 55	3	138
52 DJ14 98	7	138
52 DJ14 99	8	138
52 DJ15 00	9	140
52 DJ15 01	10	140
52 DJ15 02	5	138
52 DJ15 13	6	138
52 DJ15 18	1	138
52 DJ16 18	5	142
52 DJ16 21	6	142
52 DJ16 33	4	142

Part Number	Figure No.	Page No.
52 DJ16 34	5	142
52 DJ16 36	5	142
52 DJ16 39	6	142
52 DJ16 41	6	142
52 DK06 91	1	30
52 JN01 36	2	2
56 DH05 7Q	5	136
56 DJ04 A7	4	138
56 DJ04 X3	4	138
56 DJ04 X3	4	138
56 DJ38 6D	7	142
56 DJ38 X3	7	142
56 DJ39 6D	8	142
56 DJ39 X3	8	142
56 DJ3X 1Y	1	56
56 DJ3Y 1Y	2	56
56 DJ3Z 1Y	6	30
56 DJ4E 1Y	13	48
56 DJ5U 63	5	102
56 DJ5U 6E	5	102
56 DJ5U 9J	5	102
56 DJ5V 63	6	102
56 DJ5V 6E	6	102
56 DJ5V 9J	6	102
56 DJ6D 55	17	134
56 DJ6E 55	18	134
56 DK05 4R	5	122
56 DK05 7Q	5	122
56 DK31 Y9	2	84
56 DK32 Y9	3	84
56 DK33 Y9	1	84

Parts Index

Part Number	Figure No.	Page No.
56 DK33 Y9	17	88
59 0100 13	4	114
59 0200 01	9	112
59 0200 01	11	94
59 0400 05	16	88
59 0400 17	14	52
59 0400 40	3	60
59 0400 41	11	52
59 0400 42	20	52
59 0400 43	11	52
59 0500 08	3	24
59 0500 08	2	26
59 1000 02	1	46
59 2000 06	8	26
59 2000 07	22	26
59 2000 07	9	48
59 2000 27	7	24
59 2000 28	12	18
59 2000 28	9	26
59 2000 29	9	26
59 2100 06	5	26
59 2100 19	4	100
60 1114 20	16	82
62 3050 84	22	148
75 6802 36	20	148
76 0109 36	14	148
76 0109 37	15	148
83 0201 73	7	146
83 0203 25	3	146
83 0203 34	1	146
83 0203 68	5	146

Part Number	Figure No.	Page No.
83 0204 11	1	146
83 0204 73	5	146
AA 1014 37	24	16
AA 1014 37	4	24
AA 1111 41	19	46
AA 1410 48	18	42
AB 2010 17	21	118
AH 4022 86	13	116
AK 2010 12	13	116
AP 1010 43	13	32
AP 2010 25	13	116
BA 1220 03	10	92
CB 1010 82	12	50
CL 2010 23	15	106
CS 1011 28	1	10
DD 1010 62	11	10
DD 1110 12	15	46
DD 1210 07	10	12
DD 1412 27	4	92
DD 1610 71	25	40
DD 2010 11	16	114
DD 2110 03	6	96
DD 2210 03	12	102
DE 1510 37	6	70
DE 1510 43	7	70
DE 1510 45	8	70
DE 1510 46	4	70
DE 1510 46	20	76
DE 1510 47	5	70
DE 1510 47	21	76
DE 1510 48	3	70

Parts Index

Part Number	Figure No.	Page No.
DE 1910 10	5	68
DE 1910 10	8	76
DE 1910 10	17	78
DE 1910 28	14	68
DE 1910 33	6	68
DE 1910 36	15	68
DF 1611 02	9	62
DF 1810 98	4	106
DG 1010 29	4	8
DG 1013 39	3	80
DG 1014 18	8	28
DG 1014 18	2	30
DG 1014 56	10	26
DG 1014 98	11	2
DG 1014 98	16	26
DG 1110 08	8	46
DG 1210 02	17	42
DG 1210 40	11	44
DG 1510 05	11	66
DG 1510 07	12	66
DG 1510 08	13	66
DG 1510 08	21	74
DG 1611 21	26	94
DG 1611 24	29	40
DG 1710 18	5	54
DG 1710 19	7	54
DG 1710 22	15	54
DG 1710 25	17	54
DG 1710 34	10	54
DG 1710 38	2	54
DG 1810 03	28	90

Part Number	Figure No.	Page No.
DG 1810 04	29	90
DG 1810 08	4	84
DG 1810 08	18	88
DG 1810 45	22	90
DH 0101 08	13	126
DH 0101 09	13	126
DH 0101 20	9	124
DH 0101 21	10	126
DH 0101 42	9	124
DH 0101 43	10	126
DH 0101 55	13	126
DH 0101 56	13	126
DH 0101 67	9	124
DH 0101 68	10	126
DH 0101 85	7	124
DH 0101 86	8	124
DH 0102 00	18	128
DH 0102 01	7	124
DH 0102 09	9	124
DH 0102 10	10	126
DH 0102 19	7	124
DH 0102 20	8	124
DH 0102 40	7	130
DH 0102 41	8	130
DH 0102 59	7	130
DH 0102 60	8	130
DH 0103 06	15	134
DH 0103 07	16	134
DH 0103 26	14	136
DH 0103 27	15	136
DH 0103 84	10	144

Parts Index

Part Number	Figure No.	Page No.
DH 0103 88	12	144
DH 0104 02	10	144
DH 0104 05	12	144
DH 0104 16	10	144
DH 0104 19	12	144
DH 1010 18	12	28
DH 1010 64	10	14
DH 1010 66	16	14
DH 1010 67	15	14
DH 1010 72	2	18
DH 1010 79	4	16
DH 1010 84	8	16
DH 1011 11	15	16
DH 1011 41	5	28
DH 1011 42	3	28
DH 1011 46	3	20
DH 1011 52	6	28
DH 1011 54	13	28
DH 1011 63	16	48
DH 1011 72	7	48
DH 1011 95	11	14
DH 1011 97	2	28
DH 1011 99	6	46
DH 1012 03	12	26
DH 1012 35	5	16
DH 1012 72	10	2
DH 1012 75	22	28
DH 1012 92	11	30
DH 1012 93	9	30
DH 1012 94	12	30
DH 1012 95	8	8

Part Number	Figure No.	Page No.
DH 1013 19	18	16
DH 1013 55	12	14
DH 1013 73	14	18
DH 1013 79	6	26
DH 1013 80	7	46
DH 1013 81	5	46
DH 1013 83	24	16
DH 1013 83	4	24
DH 1013 85	5	48
DH 1013 86	4	46
DH 1013 88	7	30
DH 1013 89	14	48
DH 1013 90	28	26
DH 1013 92	8	10
DH 1013 93	7	22
DH 1013 94	10	22
DH 1013 96	2	14
DH 1014 12	5	10
DH 1014 14	7	12
DH 1014 24	6	18
DH 1014 87	10	24
DH 1014 93	4	20
DH 1014 96	9	20
DH 1015 08	4	6
DH 1015 09	5	22
DH 1015 44	17	28
DH 1015 81	4	48
DH 1016 07	9	38
DH 1016 08	10	38
DH 1016 40	18	14
DH 1016 48	13	32

Parts Index

Part Number	Figure No.	Page No.	Part Number	Figure No.	Page No.
DH 1016 61	15	26	DH 1210 11	15	28
DH 1017 14	2	22	DH 1210 12	16	28
DH 1017 18	13	26	DH 1210 35	5	34
DH 1017 19	20	42	DH 1210 38	8	6
DH 1018 96	5	24	DH 1210 93	9	36
DH 1019 16	10	2	DH 1211 34	12	36
DH 1020 52	13	18	DH 1211 62	7	36
DH 1020 53	4	18	DH 1211 68	3	36
DH 1021 17	9	28	DH 1211 69	10	36
DH 1021 25	6	10	DH 1211 71	2	36
DH 1021 51	10	14	DH 1211 90	4	42
DH 1021 66	14	32	DH 1410 20	13	92
DH 1021 74	7	4	DH 1410 23	6	94
DH 1021 75	8	4	DH 1410 24	11	92
DH 1021 80	9	4	DH 1410 73	10	44
DH 1021 89	8	20	DH 1410 74	12	44
DH 1022 01	5	2	DH 1510 39	7	68
DH 1022 63	8	38	DH 1510 40	17	72
DH 1022 72	2	38	DH 1610 46	4	96
DH 1022 74	15	42	DH 1610 53	17	56
DH 1023 49	2	38	DH 1610 56	20	56
DH 1023 51	8	38	DH 1610 66	7	62
DH 1110 12	10	6	DH 1611 00	29	58
DH 1110 13	16	46	DH 1611 12	2	50
DH 1110 15	14	46	DH 1611 21	4	62
DH 1110 16	17	46	DH 1611 33	1	94
DH 1110 81	2	46	DH 1611 45	5	62
DH 1110 82	3	46	DH 1611 46	8	62
DH 1110 84	11	48	DH 1611 55	11	56
DH 1111 14	11	48	DH 1611 57	10	56
DH 1210 10	3	34	DH 1611 58	21	94

Parts Index

Part Number	Figure No.	Page No.	Part Number	Figure No.	Page No.
DH 1611 61	9	52	DJ 0101 70	11	144
DH 1611 78	23	58	DJ 0101 71	9	144
DH 1611 89	2	52	DJ 0101 76	11	144
DH 1611 90	3	52	DJ 0101 77	9	144
DH 1612 31	22	94	DJ 0101 86	9	144
DH 1612 33	9	96	DJ 1010 04	1	12
DH 1612 39	5	62	DJ 1010 12	3	6
DH 1612 40	8	62	DJ 1010 63	23	16
DH 1612 45	19	52	DJ 1010 64	4	38
DH 1612 93	14	114	DJ 1011 58	3	12
DH 1614 16	12	42	DJ 1013 12	23	16
DH 1614 29	8	44	DJ 1013 50	1	32
DH 1710 19	8	54	DJ 1013 71	6	12
DH 1710 19	14	66	DJ 1013 73	2	10
DH 1710 19	22	74	DJ 1017 11	1	2
DH 1810 52	10	106	DJ 1017 11	12	6
DH 1811 30	32	86	DJ 1017 12	1	24
DH 1811 30	1	92	DJ 1017 35	15	32
DH 1910 07	17	86	DJ 1017 38	10A	6
DH 1910 08	19	86	DJ 1017 41	19	134
DH 1910 14	18	86	DJ 1017 43	1	24
DH 1910 17	20	86	DJ 1017 45	1	38
DH 1910 60	6	68	DJ 1017 77	1	24
DH 1910 62	15	68	DJ 1110 98	9	46
DH 1910 67	17	86	DJ 1210 22	7	6
DH 1910 68	19	86	DJ 1210 44	4	36
DH 1910 69	18	86	DJ 1210 53	5	36
DH 2010 65	13	62	DJ 1210 54	6	36
DH 2011 11	5	84	DJ 1210 55	7	36
DH 2011 12	6	84	DJ 1210 56	8	36
DJ 0101 65	11	144	DJ 1210 57	9	36

Parts Index



Part Number	Figure No.	Page No.
DJ 1210 59	11	36
DJ 1210 81	3	42
DJ 1210 87	1	42
DJ 1210 89	5	4
DJ 1210 90	5	6
DJ 1210 91	1	36
DJ 1410 02	12	92
DJ 1410 08	7	94
DJ 1410 56	3	92
DJ 1410 61	23	94
DJ 1410 71	15	44
DJ 1410 72	6	44
DJ 1410 72	14	92
DJ 1410 73	3	44
DJ 1410 74	7	44
DJ 1410 77	16	44
DJ 1511 29	1	70
DJ 1511 37	18	76
DJ 1511 41	11	68
DJ 1511 44	11	68
DJ 1610 06	25	118
DJ 1610 07	22	118
DJ 1610 72	9	114
DJ 1610 79	8	102
DJ 1610 80	9	102
DJ 1611 14	5	52
DJ 1611 15	6	52
DJ 1611 22	5	56
DJ 1611 26	14	56
DJ 1611 27	16	56
DJ 1611 28	3	56

Part Number	Figure No.	Page No.
DJ 1611 29	4	56
DJ 1611 86	25	58
DJ 1612 28	10	30
DJ 1612 29	20	38
DJ 1612 29	17	106
DJ 1612 29	12	112
DJ 1612 47	9	116
DJ 1612 78	7	38
DJ 1612 85	18	56
DJ 1612 90	18	52
DJ 1613 27	18	118
DJ 1614 00	1	50
DJ 1614 16	17	128
DJ 1614 33	17	52
DJ 1614 40	28	40
DJ 1614 41	10	50
DJ 1614 47	1A	50
DJ 1710 39	3	88
DJ 1710 44	11	54
DJ 1810 29	13	108
DJ 1810 29	26	114
DJ 1810 33	3	106
DJ 1810 37	7	106
DJ 1810 64	18	106
DJ 1810 64	12	108
DJ 1810 64	25	112
DJ 1810 65	12	106
DJ 1810 65	7	108
DJ 1810 69	9	106
DJ 1810 83	17	114
DJ 1811 19	3	98

Parts Index



Part Number	Figure No.	Page No.
DJ 1811 20	2	106
DJ 1811 30	13	106
DJ 1910 26	5	68
DJ 1910 26	8	76
DJ 1910 27	6	68
DJ 1910 28	7	68
DJ 1910 29	8	68
DJ 1910 30	9	68
DJ 1910 31	10	68
DJ 1910 34	13	68
DJ 1910 35	14	68
DJ 1910 56	11	68
DJ 1910 57	3	68
DJ 1910 61	1	100
DJ 1910 81	8	84
DJ 1910 82	7	84
DJ 1910 83	9	84
DJ 1910 85	1	98
DJ 1910 89	1	98
DJ 1910 90	1	100
DJ 1910 91	1	98
DJ 2010 72	16	106
DJ 2010 72	7	114
DJ 2011 08	16	68
DJ 2011 09	12	68
DJ 2011 25	8	116
DJ 2011 37	7	98
DJ 2011 40	18	26
DJ 2011 40	11	116
DJ 2011 73	17	60
DJ 2011 74	4	98

Part Number	Figure No.	Page No.
DJ 2011 76	1	106
DJ 2012 02	11	46
DJ 2012 06	2	110
DJ 2012 07	1	110
DJ 2012 40	8	116
DJ 2012 46	14	84
DJ 2012 60	5	116
DJ 2012 61	5A	116
DJ 2012 64	5A	116
DJ 2012 65	5A	116
DJ 2210 03	33	86
DJ 2210 04	34	86
DJ 2210 19	1	120
DJ 2210 20	1A	102
DJ 2210 21	1	102
DJ 9025 03	1	18
DK 0102 44	16	140
Dk 0102 57	16	140
DK 0102 72	16	140
DK 1010 59	12	10
DK 1010 63	1	12
DK 1010 72	11	32
DK 1010 94	3	26
DK 1010 97	21	26
DK 1011 02	6	16
DK 1011 03	3	16
DK 1011 04	7	16
DK 1011 05	12	16
DK 1011 26	12	32
DK 1011 35	10	20
DK 1011 44	10	16

Parts Index

Part Number	Figure No.	Page No.	Part Number	Figure No.	Page No.
DK 1011 59	1	20	DK 1015 95	1	48
DK 1011 60	2	20	DK 1015 96	15	48
DK 1011 76	6	48	DK 1016 05	2	48
DK 1011 77	16	22	DK 1016 36	23	28
DK 1011 80	13	22	DK 1017 17	16	16
DK 1011 82	4	22	DK 1017 18	14	16
DK 1011 83	16	22	DK 1017 19	19	16
DK 1011 85	14	22	DK 1017 21	17	16
DK 1011 85	5	80	DK 1017 22	1	22
DK 1011 86	15	22	DK 1017 22	3	22
DK 1011 87	12	22	DK 1017 25	8	22
DK 1011 87	6	80	DK 1017 32	5	20
DK 1012 45	20	16	DK 1017 33	1	22
DK 1012 47	10	8	DK 1017 38	19	28
DK 1012 51	7	28	DK 1017 48	1	8
DK 1012 53	9	22	DK 1017 51	2	8
DK 1013 14	24	40	DK 1017 55	3	8
DK 1013 26	6	8	DK 1018 86	25	26
DK 1013 52	21	16	DK 1110 79	2	46
DK 1013 80	17	26	DK 1210 07	7	42
DK 1014 71	1	16	DK 1210 09	5	42
DK 1014 80	14	14	DK 1210 15	6	42
DK 1014 80	14	28	DK 1210 91	6	4
DK 1015 64	3	32	DK 1410 15	18	94
DK 1015 65	6	32	DK 1410 17	17	94
DK 1015 69	4	32	DK 1510 09	2	72
DK 1015 70	14	32	DK 1510 12	6	72
DK 1015 71	5	32	DK 1510 14	28	74
DK 1015 73	10	32	DK 1510 15	11	72
DK 1015 74	8	32	DK 1510 22	14	72
DK 1015 92	8	12	DK 1510 24	16	72

Parts Index

Part Number	Figure No.	Page No.	Part Number	Figure No.	Page No.
DK 1510 26	5	64	DK 1510 95	2	66
DK 1510 27	9	66	DK 1510 96	9	66
DK 1510 28	8	66	DK 1510 97	16	72
DK 1510 31	11	76	DK 1511 09	9	66
DK 1510 31	1	78	DK 1511 11	1	82
DK 1510 33	1	76	DK 1610 69	2	108
DK 1510 34	2	76	DK 1610 70	6	112
DK 1510 36	5	72	DK 1610 71	7	112
DK 1510 37	2	68	DK 1610 72	8	112
DK 1510 39	2	64	DK 1610 73	10	112
DK 1510 40	4	64	DK 1610 76	14	112
DK 1510 41	19	76	DK 1610 77	15	112
DK 1510 45	10	76	DK 1610 81	11	98
DK 1510 50	3	64	DK 1610 81	3	112
DK 1510 50	1	72	DK 1610 85	9	60
DK 1510 53	3	66	DK 1610 96	1	52
DK 1510 63	6	76	DK 1610 98	2	60
DK 1510 69	4	68	DK 1611 22	1	62
DK 1510 69	7	76	DK 1611 23	9	94
DK 1510 69	16	78	DK 1611 24	10	94
DK 1510 76	16	76	DK 1611 25	24	112
DK 1510 77	17	76	DK 1611 26	5	112
DK 1510 78	14	76	DK 1611 51	3	108
DK 1510 81	19	72	DK 1611 51	20	112
DK 1510 82	20	72	DK 1611 53	2	114
DK 1510 83	18	76	DK 1611 61	12	52
DK 1510 83	2	78	DK 1611 63	27	58
DK 1510 84	9	76	DK 1611 64	14	60
DK 1510 85	22	76	DK 1611 71	19	94
DK 1510 86	4	76	DK 1611 72	20	94
DK 1510 88	23	76	DK 1611 76	3	102

Parts Index

Part Number	Figure No.	Page No.
DK 1611 98	1	60
DK 1612 09	5	98
DK 1612 09	23	112
DK 1612 10	21	112
DK 1612 12	13	112
DK 1612 17	5	102
DK 1612 18	6	102
DK 1612 50	1	104
DK 1613 17	1	112
DK 1613 23	8	98
DK 1613 24	10	98
DK 1613 24	4	112
DK 1613 38	5	60
DK 1614 15	16	52
DK 1614 16	17	52
DK 1614 22	10	96
DK 1614 36	7	82
DK 1614 43	13	38
DK 1614 44	14	38
DK 1614 47	15	38
DK 1614 83	12A	114
DK 1710 03	9	54
DK 1710 06	6	54
DK 1710 11	4	54
DK 1710 14	1	54
DK 1810 06	7	88
DK 1810 07	6	88
DK 1810 08	7	88
DK 1810 10	8	88
DK 1810 11	10	88
DK 1810 12	4	12

Part Number	Figure No.	Page No.
DK 1810 17	27	90
DK 1810 18	15	88
DK 1810 19	3	88
DK 1810 20	26	90
DK 1810 21	2	88
DK 1810 22	12	88
DK 1810 23	13	88
DK 1810 24	23	90
DK 1810 25	24	90
DK 1810 28	25	90
DK 1810 31	26	86
DK 1810 36	29	86
DK 1810 43	22	86
DK 1810 46	30	86
DK 1810 47	31	86
DK 1810 48	12	92
DK 1810 50	7	50
DK 1810 51	8	50
DK 1810 73	11	88
DK 1810 74	22	112
DK 1810 75	3	50
DK 1810 76	4	50
DK 1810 79	28	86
DK 1810 87	1	88
DK 1810 90	4	88
DK 1810 91	5	88
DK 1810 92	9	88
DK 1810 93	14	88
DK 1810 96	8A	84
DK 1810 99	32	86
DK 1810 99	1	92

Parts Index

Part Number	Figure No.	Page No.
DK 1811 07	14	82
DK 1811 07	31	90
DK 1910 12	3	68
DK 1910 12	1	80
DK 1910 13	4	80
DK 1910 14	7	116
DK 1910 34	7A	84
DK 1910 42	1	80
DK 2010 03	1	114
DK 2010 37	1	116
DK 2010 38	2	116
DK 2010 43	9	108
DK 2010 49	29	118
DK 2010 65	6	92
DK 2010 78	10	116
DK 2010 98	3	66
DK 2011 17	6	108
DK 2011 19	1	108
DK 2011 37	14	84
DK 2011 60	11	46
DK 2011 61	6	92
DK 2011 62	5	84
DK 2011 63	6	84
DK 2011 64	25	74
DK 2110 07	2	96
DK 2110 08	11	96
DK 2110 09	3	96
DK 2110 12	1	96
DK 2110 14	5	96
DK 2210 01	19	112
DK 2210 11	1	120

Part Number	Figure No.	Page No.
DK 2210 14	17	112
DK 2210 15	18	112
DK 2210 24	2	120
DL 1810 10	6	106
DL 1810 10	4	108
DL 1910 14	10	84
DL 1910 20	10	108
DL 1910 20	7	114
DP 1810 40	22	40
DP 1810 41	21	40
DS 1010 71	21	28
DS 1010 84	7	2
DS 1011 54	5	14
DS 1011 66	4	2
DS 1012 15	9	28
DS 1012 34	14	26
DS 1013 53	10	28
DS 1013 53	4	30
DS 1013 53	12	48
DS 1211 16	14	42
DS 1211 17	8	42
DS 1211 26	9	42
DS 1510 73	10	72
DS 1510 74	3	72
DS 1611 56	12	96
DS 1612 24	19	42
DS 1612 24	26	58
DS 1612 24	2	104
DS 1810 68	12B	114
DS 1910 52	21	86
DS 2010 25	17	118

Parts Index

Part Number	Figure No.	Page No.	Part Number	Figure No.	Page No.
DS 2010 85	30	118	JC 1110 27	3	46
DS 2110 04	8	96	JC 1110 28	3	46
DT 1310 17	18	66	JC 1410 15	14	94
DT 1318 75	13	82	JC 1410 16	5	82
DT 1814 33	4	60	JC 1410 16	16	94
DT 4020 06	17A	118	JC 1410 17	15	94
DT 4022 27	13	116	JC 1410 28	9	92
DT 4024 04	19	66	JC 1410 34	15	92
DT 5612 05	5	22	JC 1410 55	24	94
DU 1012 23	15	26	JC 1510 13	1	64
DV 1010 42	3	30	JC 1510 13	1	66
DV 1010 48	22	16	JC 1510 13	15	66
GF 2010 36	12	116	JC 1510 16	8	72
GH 2010 12	3	110	JC 1510 20	3	66
GL 1138 11	9	82	JC 1610 17	6	62
GL 1138 12	8	82	JC 1810 22	20	88
GL 1710 36	5	44	JC 1810 23	19	88
JB 4014 02	24	86	JC 1810 24	21	90
JB 5910 59	12	38	JC 1810 26	12	114
JB 5910 68	11	38	JC 1910 04	3	100
JC 1010 01	1	14	JC 2010 27	16	118
JC 1010 29	2	24	JC 2010 39	11	62
JC 1010 34	9	10	JC 2010 43	2	100
JC 1010 35	7	10	JC 2010 46	6	66
JC 1010 45	1	26	JD 1138 14	11	4
JC 1011 12	3	48	JD 1138 15	12	4
JC 1011 14	3A	48	JD 1318 11	10	66
JC 1011 15	8	48	JD 1716 02	3	92
JC 1011 45	8	48	JD 4014 00	6A	84
JC 1110 22	12	46	JD 4018 06	24	118
JC 1110 23	13	46	JD 4022 12	28	118

Parts Index

Part Number	Figure No.	Page No.	Part Number	Figure No.	Page No.
JD 4022 17	27	118	JR 1318 29	2	78
JD 4022 17	27	118	JR 1318 29	2	78
JE 5412 12	8	30	JU 1318 02	23	74
JE 5412 13	18	28	JW 1318 07	6	70
JF 1318 06	1	70	JW 1318 10	12	70
JF 1318 71	17	82	JW 1710 07	2	94
JF 4014 00	5	84	JW 1710 07	13	94
JF 4014 01	6	84	JW 4010 11	8	114
JG 1312 19	15	72	JW 5910 28	23	40
JG 1312 20	17	66	JY 1710 69	13	44
JG 1312 20	24	74	JY 1710 70	2	44
JG 1710 29	4	44	JY 1710 77	1	44
JG 1812 55	15	82	JY 1718 25	9	44
JG 1812 55	32	90	JZ 1711 24	21A	94
JG 4018 08	20	118	KA AA08 18	3	60
JG 4020 05	19	82	KA AD05 20	8	34
JG 4022 28	13	116	KA AD06 12	9	56
JH 1318 84	22	66	KA CA05 16	2	92
JH 1710 17	7	92	KA DA06 08	28	58
JH 1710 48	17	44	KA DA06 10	11	50
JH 1716 02	11	44	KA DA08 14	2	102
JL 1138 41	9	50	KA DC05 10	30	40
JL 1711 01	2	44	KA DD06 08	19	118
JL 1711 02	13	44	KA DD06 10	15	60
JL 4020 04	17A	118	KA DD06 10	26	118
JL 5810 65	4	4	KA DD06 12	15	60
JL 5810 66	2	4	KA DD06 20	10	60
JM 1710 04	12	54	KA DD06 22	6	22
JN 1810 31	16	112	KA DD06 22	8	94
JP 1710 51	6	82	KA DD06 22	7	96
JP 4022 21	18	82	KA DD06 22	18	114

Parts Index

Part Number	Figure No.	Page No.	Part Number	Figure No.	Page No.
KA DD06 25	16	84	KA ED06 20	10	60
KA DD06 25	11	106	KA ED06 20	15	108
KA DD06 25	13	114	KA ED06 25	24	28
KA DD06 30	13	4	KA ED06 25	2	34
KA DD08 14	27	26	KA ED06 25	18	46
KA DD08 16	5	94	KA ED06 35	9	2
KA DD08 22	2	112	KA ED06 35	16	32
KA DD08 25	13	52	KA ED06 45	20	26
KA DD08 25	7	102	KA ED08 20	4	116
KA DD08 35	12	98	KA EF06 08	11	82
KA DD08 60	8	52	KA EG06 14	10	4
KA DD08 65	4	52	KB BA04 08	4	66
KA DD08 A0	14	52	KB BA04 16	4	114
KA DF06 10	19	118	KB BA05 08	13	42
KA DF06 20	4	82	KB BA05 16	11	42
KA DF06 30	13	4	KB BA05 25	10	42
KA DF08 25	13	52	KB BC05 12	11	60
KA DF08 25	7	102	KB CA04 16	7	34
KA DF08 55	7	52	KB RA42 13	16	38
KA DS05 10	3	94	KB UA05 12	18	38
KA DS05 16	12	62	KB UF05 16	8	108
KA DT06 14	21	66	KB UF05 16	5	114
KA DT06 14	27	74	KC AA06 05	10	82
KA DT06 14	3	94	KC AD06 05	19	22
KA DT06 16	18	46	KC BC08 05	15	54
KA DT06 25	16	84	KC BD06 04	18	22
KA ED06 10	12	82	KC BK10 06	9	72
KA ED06 12	2	112	KC GA05 05	8	92
KA ED06 16	3	18	KC GA06 06	6	114
KA ED06 16	6	60	KC GD06 06	14	4
KA ED06 20	10	10	KC GF06 06	14	4

Parts Index

Part Number	Figure No.	Page No.	Part Number	Figure No.	Page No.
KD AA05 10	12	60	LC A000 02	9	72
KD AA08 16	24	58	LC G000 08	16	60
KD AA08 16	30	90	LC H000 01	10	62
KD AE04 08	17	38	LC L000 01	4	110
KD BA05 12	19	38	LC L000 02	8	60
KD BA10 22	26	40	LD B000 19	8	80
KD DB04 08	5	66	LD B000 21	3	116
KD DB10 18	3	54	LD B000 23	27	94
KE AB10 10	7	18	LD F000 01	17	48
KH AA20 15	9	80	NA	20	148
KH AA25 20	13	56	NA	21	148
KH AA25 20	3	62	PA 2328 06	9	114
KH AA32 25	13	56	PA 4022 04	20	66
KJ AB10 19	23	26	PA 4022 04	26	74
KJ AC18 24	1	6	PD 1318 03	10	66
KM AA08 00	6	50	PD 1318 24	1	70
KP AC60 05	7	72	PD 1318 35	16	66
KP AF60 04	6	24	PD 1318 53	1	70
KP BC62 02	7	66	PD 1510 06	4	50
KP BC62 02	13	72	PD 1716 16	14	44
KP BC63 02	18	72	PD 5112 29	4	10
LA C000 20	23	86	PD 5310 29	7	14
LA C000 59	4	84	PD 5312 29	4	18
LA D000 77	26	76	PD 5312 32	1	18
LA D000 77	12	98	PD 5410 18	2	24
LA D001 31	10	102	PD 5412 74	6	46
LA E000 18	10	28	PD 5412 79	23	28
LA E000 18	4	30	PD 5412 80	12	28
LA E000 18	12	48	PD 5514 19	2	32
LA E000 21	25	86	PD 5514 21	3	32
LB U000 12	15	84	PD 5514 27	7	32

Parts Index

Part Number	Figure No.	Page No.
PD 5514 39	6	32
PD 5822 00	1	4
YD H190 01	1	106
YD H190 02	6	98
YD J080 01	1	38
YD K080 01	6A	98

Part Number	Figure No.	Page No.
-------------	------------	----------

Parts Index

Part Number	Figure No.	Page No.
-------------	------------	----------

Part Number	Figure No.	Page No.
-------------	------------	----------